



L5.6mm× W7.4mm× H2.4mm

NO: MC118

Universal Serial Bus Connectors



Technical parameter

DIP

DOWN

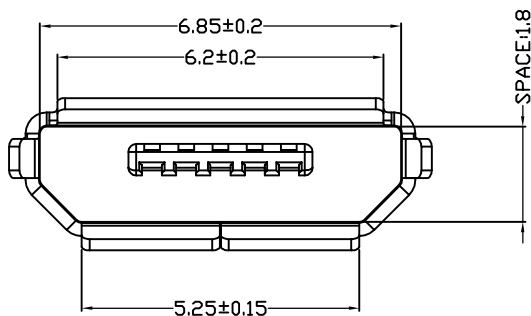
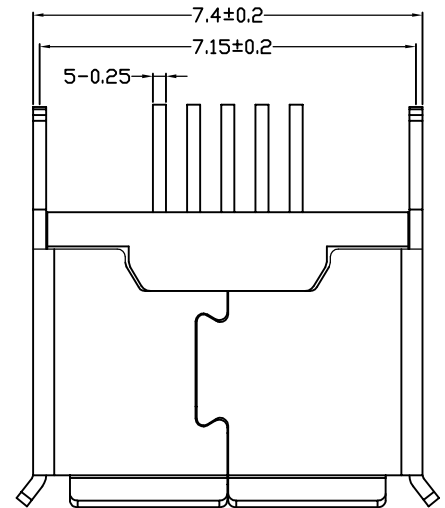
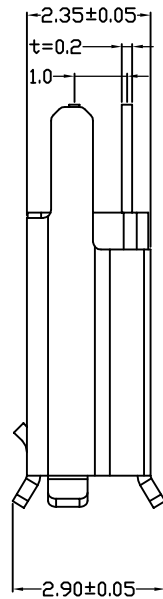
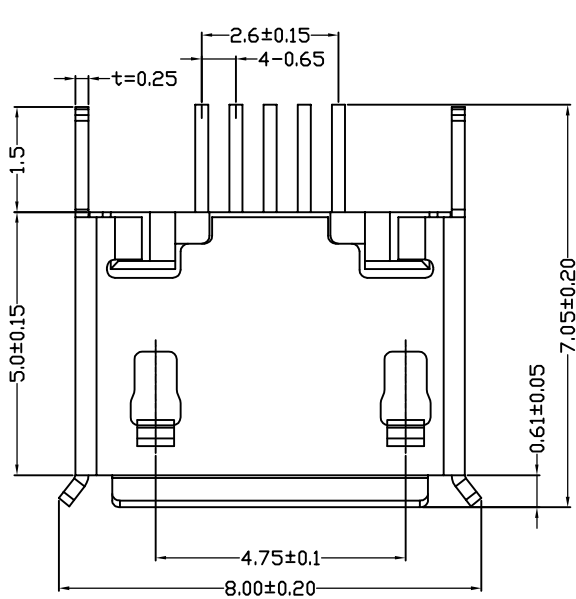
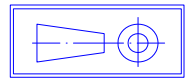
NICETY

STABILIZE

RoHS

PROJECT	LEVEL	A[better product]	B[average product]
	Contact Rating	1.0A, 24V DC	
Electrical Properties	Initial Contact Resistance	30mΩ max.	50mΩ max.
	Insulation Resistance	100MΩ min.500V DC	Skey/PD : 100MΩ min.300V DC
	Withstand Voltage	500V AC for 1 minute	350 V AC for 1 minut
Durable Performance	There No Load	8,000 Cycles	6,000 Cycles
	Rated Load	6,500 Cycles	5,000 Cycles
	Storage temp.	-25°C ~ +75°C (Operating Temp.)	

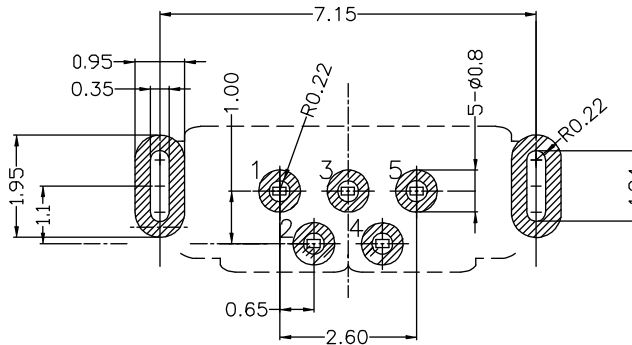
Unit:mm





CIRCUIT BOARD SIZE (Vertical view)

Operating Force	Inward	5.0 ~ 8.0N. (1N. = 100 gram-force)	Solderability (Max.)	
	Exiting	5.0~ 8.0N. (1N. = 100 gram-force)	IR Reflow: 255°C, 5sec.	Manual : 350°C, 3sec.



DECIMALS	ANGLES
.X :± 0.20	X.° :± 1.5°
.XX :± 0.10	X.X° :± 1.0°
.XXX :± 0.05	.XXX° :± 0.5°

Pin Definition

Material Declaration

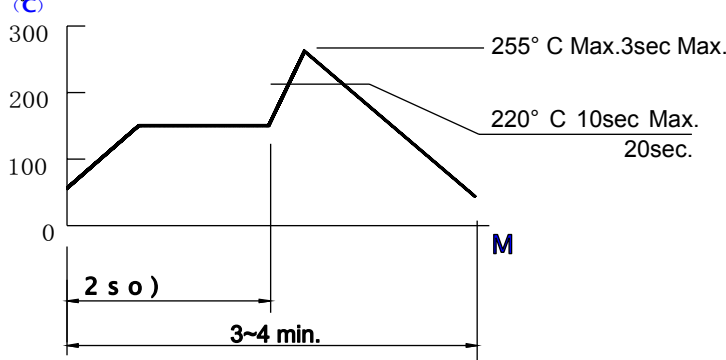
No.	Type	Description
①	1	LCP [Black]
②	5	C5191(1u")
③	1	C2680/SPCC[50u" min]



Welding temperature	350°C max
Continuous welding time	3s max
Flux hopper capacity	60W max

Please practice according to below condition:

- (1) Preheat :150°C 90-120s
- (2) Soldering heat : 255°C Max 10S.
- (3) Immersion depth: Up to the surface of the board



Pre-heat temperature	100°C max
Warm-up temperature	60s max
Welding temperature	255°C max
Welding collapse time	5s max
Welding times	2

Products do not belong to

NOTICE

- 1.The company reserves the right of final interpretation
2. Leaked and reproduced prohibited
3. Modify is invalid