

# WEIPU COMPANY LIMITED

4th Floor, No.153, Jiang Chang 3rd Road, Shanghai, 200436, China

TEL: 86-21-56631111 FAX: 86-21-62119778

## WF28 SPECIFICATION

Part Number	Description
WF28K16TU1	16 pin, female plug with angled back shell and metal clamping-nut, 10.5-12.5mm cable OD, solder, no cap, IP65 after mating, 10A
WF28J16ZZ1	16 pin, male square flange panel socket, solder, with cap
WF28K4TU1	4 pin, female plug with angled back shell and metal clamping-nut, 10.5-12.5mm cable OD, solder, no cap, IP65 after mating, 25A
WF28J4ZZ1	4 pin, male square flange panel socket, solder, with cap

### 1. Range of application

The specification is written as the basis for technical confirmation.











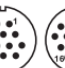
### 2. General Field

This circular connector is widely used for many kinds of equipment, electrical connection, battery charger system, lighting system and other electrical machines.

### 3. Product structure

The products are right-angled plug and square flange panel socket, with threaded coupling and solder termination.

### 4. Specification

WS28、WF28、WY28	2	3	4	7	8	8B	9	10	10B	12	16
公端绝缘体正面图 Male contact face view											
额定电流 (A) Rated current (A)	50	50	25	25	25	60, 5	25, 5	25	10	10	10
接触件直径(mm) Contact diameter(mm)	Ø3.5X2	Ø3.5X2	Ø2.5X4	Ø2.5X7	Ø2.5X8	Ø5X2 Ø1X6	Ø2.5X4 Ø1X5	Ø2.5X10	Ø1.5X10	Ø1.5X12	Ø1.5X16
工作电压 (AC.V) Rated voltage (AC.V)	500	500	500	500	500	500 400	500	500	500	500	500
耐压 (AC.V) 1 min Test voltage(AC.V) 1 min	1500	1500	1500	1500	1500	1500	1500	1500	1500	1500	1500
接触电阻 (mΩ) Contact resistance(mΩ)	0.5	0.5	1	1	1	0.5, 5	1, 5	1	2.5	2.5	2.5
绝缘电阻 (MΩ) Insulation resistance (MΩ)	2000	2000	2000	2000	2000	2000	2000	2000	2000	2000	2000
线规 (mm <sup>2</sup> /AWG) Wire size (mm <sup>2</sup> /AWG)	≤10/7	≤10/7	≤4/11	≤4/11	≤4/11	≤16/6 ≤0.75/18	≤4/11 ≤0.75/18	≤4/11	≤2/14	≤2/14	≤2/14

# WEIPU COMPANY LIMITED

4th Floor, No.153, Jiang Chang 3rd Road, Shanghai, 200436, China

TEL: 86-21-56631111 FAX: 86-21-62119778

Shell	Zinc alloy with chrome plating
Contact	Brass with gold plating
Insert	PPS
Coupling	Threaded
Temperature range	-40°C ~ +85°C
Voltage	500
Mating cycles	500 times
Insulation Resistance	2000MΩ

## 5. Product picture (the reference of outer look)

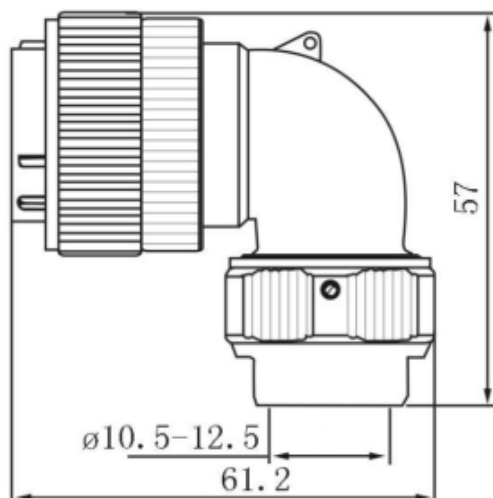


WF TU



WF Z

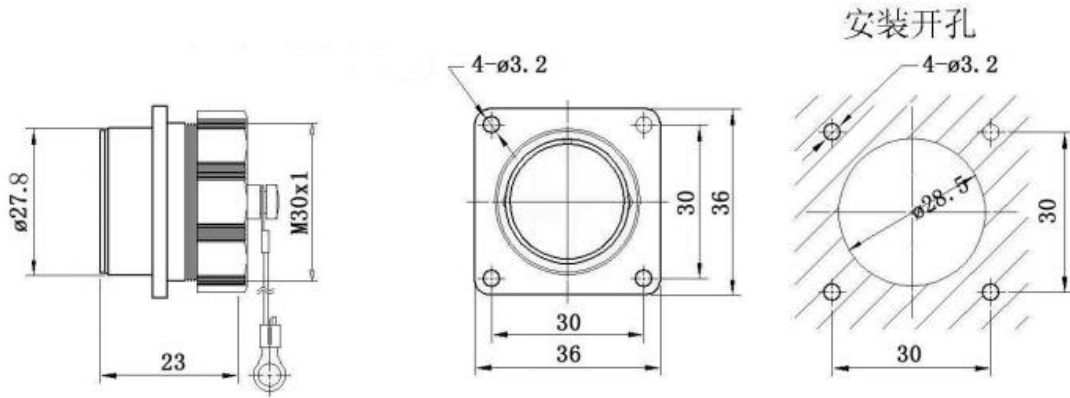
## 6. Product drawing



# WEIPU COMPANY LIMITED

4th Floor, No.153, Jiang Chang 3rd Road, Shanghai, 200436, China

TEL: 86-21-56631111 FAX: 86-21-62119778



## 7. Application

