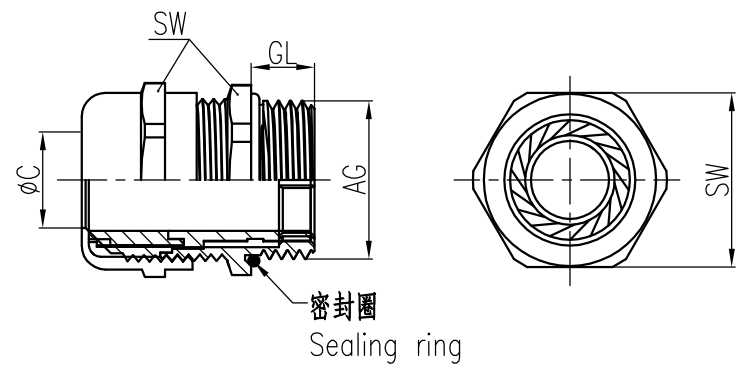
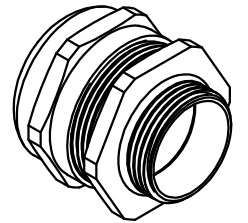


| M公制螺纹/Metric Thread |                   |                  |                       |                       |                          |                           |                         |                |
|---------------------|-------------------|------------------|-----------------------|-----------------------|--------------------------|---------------------------|-------------------------|----------------|
| 序号<br>No.           | 产品名称<br>Part code | 产品料号<br>Part NO. | 螺纹规格AG<br>Thread size | 扳手尺寸SW<br>Wrench size | 卡口范围PC<br>Clamping range | 螺纹外径AG<br>Thread diameter | 螺纹长度GL<br>Thread length | 重量/Weight<br>g |
| 1                   | WNA-M12(D3-6.5)   | 1021070111001    | M12*1.5               | 14                    | 3-6.5                    | 12                        | 5.8                     | 13             |
| 2                   | WNA-M14(D3-6.5)   | 1021070121001    | M14*1.5               | 14                    | 3-6.5                    | 14                        | 5.8                     | 11.8           |
| 3                   | WNA-M16(D4-8)     | 1021070131001    | M16*1.5               | 17                    | 4-8                      | 16                        | 6.7                     | 24             |
| 4                   | WNA-M16(D5-10)    | 1021070131002    | M16*1.5               | 20                    | 5-10                     | 16                        | 6                       | 22             |
| 5                   | WNA-M18(D5-10)    | 1021070141001    | M18*1.5               | 20                    | 5-10                     | 18                        | 7                       | 20.7           |
| 6                   | WNA-M20(D6-12)    | 1021070151001    | M20*1.5               | 22                    | 6-12                     | 20                        | 7.8                     | 26.4           |
| 7                   | WNA-M20(D6-14)    | 1021070151002    | M20*1.5               | 24                    | 8-14                     | 20                        | 7.8                     | 29.6           |
| 8                   | WNA-M22(D6-14)    | 1021070161001    | M22*1.5               | 24                    | 8-14                     | 22                        | 7.3                     | 29             |
| 9                   | WNA-M25(D9-16)    | 1021070181002    | M25*1.5               | 27                    | 9-16                     | 25                        | 7.7                     | 40.4           |
| 10                  | WNA-M25(D13-18)   | 1021070181001    | M25*1.5               | 30                    | 13-18                    | 25                        | 7.5                     | 48.2           |
| 11                  | WNA-M25(D15-21)   | 1021070181003    | M25*1.5               | 35                    | 15-21                    | 25                        | 8                       | 73             |
| 12                  | WNA-M32(D15-22)   | 1021070191002    | M32*1.5               | 35                    | 15-22                    | 32                        | 8.5                     | 72.3           |
| 13                  | WNA-M32(D18-20)   | 1021070191003    | M32*1.5               | 35                    | 18-20                    | 32                        | 8.5                     | 73.8           |
| 14                  | WNA-M32(D18-25)   | 1021070191001    | M32*1.5               | 40                    | 18-25                    | 32                        | 8                       | 95.85          |
| 15                  | WNA-M40(D18-25)   | 1021070201002    | M40*1.5               | 45                    | 18-25                    | 40                        | 12                      | 150            |
| 16                  | WNA-M40(D22-32)   | 1021070201001    | M40*1.5               | 50                    | 22-32                    | 40                        | 12                      | 161            |
| 17                  | WNA-M50(D22-32)   | 1021070461002    | M50*1.5               | 57                    | 22-32                    | 50                        | 12                      | 234.7          |
| 18                  | WNA-M50(D31-38)   | 1021070461001    | M50*1.5               | 57                    | 31-38                    | 50                        | 12                      | 210.8          |
| 19                  | WNA-M63(D37-44)   | 1021070481001    | M63*1.5               | 65                    | 37-44                    | 63                        | 12                      | 322.4          |

| PG制螺纹/PG Thread |                   |                  |                       |                       |                          |                           |                         |                |
|-----------------|-------------------|------------------|-----------------------|-----------------------|--------------------------|---------------------------|-------------------------|----------------|
| 序号<br>No.       | 产品名称<br>Part code | 产品料号<br>Part NO. | 螺纹规格AG<br>Thread size | 扳手尺寸SW<br>Wrench size | 卡口范围PC<br>Clamping range | 螺纹外径AG<br>Thread diameter | 螺纹长度GL<br>Thread length | 重量/Weight<br>g |
| 1               | WNA-PG7(D3-6.5)   | 1021070011001    | PG7                   | 14                    | 3-6.5                    | 12.5                      | 5.8                     | 11             |
| 2               | WNA-PG9(D4-8)     | 1021070021001    | PG9                   | 17                    | 4-8                      | 15.2                      | 6.7                     | 16.43          |
| 3               | WNA-PG11(D5-10)   | 1021070031001    | PG11                  | 20                    | 5-10                     | 18.6                      | 7                       | 22.4           |
| 4               | WNA-PG13.5(D6-12) | 1021070041001    | PG13.5                | 22                    | 6-12                     | 20.4                      | 7.8                     | 27             |
| 5               | WNA-PG16(D6-14)   | 1021070051001    | PG16                  | 24                    | 8-14                     | 22.5                      | 7.3                     | 28.27          |
| 6               | WNA-PG16(D13-18)  | 1021070051002    | PG16                  | 30                    | 13-18                    | 22.5                      | 8                       | 28             |
| 7               | WNA-PG21(D13-18)  | 1021070061001    | PG21                  | 30                    | 13-18                    | 28.3                      | 8                       | 49.75          |
| 8               | WNA-PG29(D18-25)  | 1021070071001    | PG29                  | 40                    | 18-25                    | 37                        | 9                       | 91.8           |
| 9               | WNA-PG36(D22-32)  | 1021070081001    | PG36                  | 50                    | 22-32                    | 47                        | 12                      | 165            |
| 10              | WNA-PG42(D31-38)  | 1021070091001    | PG42                  | 57                    | 31-38                    | 54                        | 12                      | 242            |
| 11              | WNA-PG48(D37-44)  | 1021070101001    | PG48                  | 65                    | 37-44                    | 59.3                      | 12                      | 302            |



技术参数:  
 - 材料:  
 · 主体: 黄铜镀镍  
 · 密封元件: 尼龙6和丁腈橡胶  
 - 温度范围: -40℃-100℃, 短时间可以达到120℃  
 - 防护等级: IP68 (在使用O型圈的情况下)

Technical specification:  
 - Material:  
 · Body: nickel-plated brass  
 · Sealing: PA and NBR  
 - Temperature range: -40℃-100℃, short-term 120℃  
 - Degree of protection: IP68(with O-sealing)

|   |  |            |  |   |  |               |  |
|---|--|------------|--|---|--|---------------|--|
| 表面处理<br>Finish                                |  | -          |  | 图号<br>Drawing No.                           |  | -             |  |
| 材料<br>Material                                |  | -          |  | 产品代号<br>Part Code                           |  | WNA-XX        |  |
| 比例<br>Scale                                   |  | 1:1        |  | 产品料号<br>Part No.                            |  | -             |  |
| 版本<br>REV.                                    |  | V1.0       |  | 产品名称<br>Part Name                           |  | -             |  |
| 重量<br>Weight                                  |  | -          |  | 数量<br>Qty.                                  |  | -             |  |
| 日期<br>Date                                    |  | 18.10.2010 |  | 批准<br>Approved                              |  | YY LIN        |  |
| 姓名/Name                                       |  | BQ LUO     |  | 日期/Date                                     |  | 18.10.2010    |  |
| 处数<br>Number                                  |  | 1          |  | 变更描述/Description                            |  | 标准化<br>Stand. |  |
| 标记<br>Mark                                    |  | -          |  | 姓名/Name                                     |  | YY LIN        |  |
| 绘图<br>Drawn                                   |  | BQ LUO     |  | 日期/Date                                     |  | 18.10.2010    |  |
| 审核<br>Checked                                 |  | P RAO      |  | 日期/Date                                     |  | 18.10.2010    |  |
| 工艺<br>Process                                 |  | -          |  | 日期/Date                                     |  | 18.10.2010    |  |
| All Dimensions in mm<br>Original Size DIN A 4 |  |            |  | 厦门唯恩电气有限公司<br>XIAMEN WAIN ELECTRICAL CO.LTD |  |               |  |