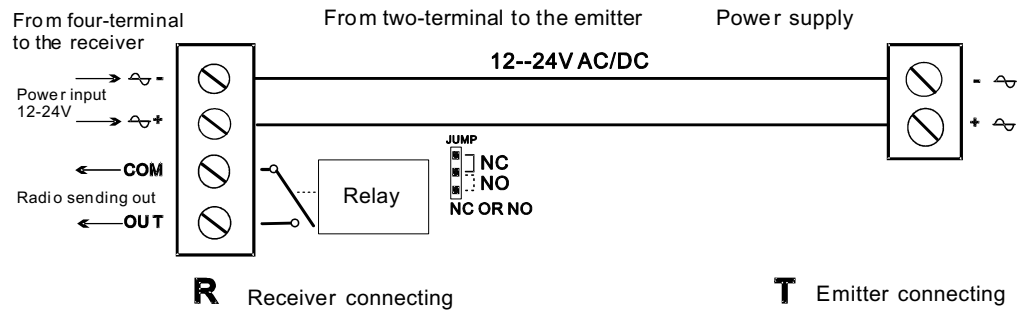


USER'S GUIDE

TECHNICAL SPECIFICATIONS

Technology	: Infrared
<u>RECEIVER</u>	
RANGE	: ≤15m
	: Range can be reduced to 30% in bad weather conditions: for, rain, dust, etc.
Infra-Red Frequency	: 1.92 KHz
POWER SUPPLY	: 12 to 24V DC/AC
WAVE LENGTH	: 940nm
INPUT	: RX 15mA - TX 30mA
OPERATING TEMPERATURE	: -10°C to 70°C
RELAY OUTPUT	: 1A max 36V
DIMENSIONS	: 49.2 x 76 x 21.6 mm

CONNECTING THE SENSOR



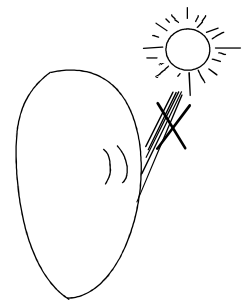
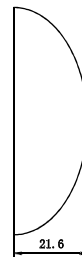
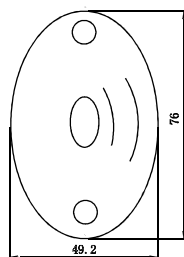
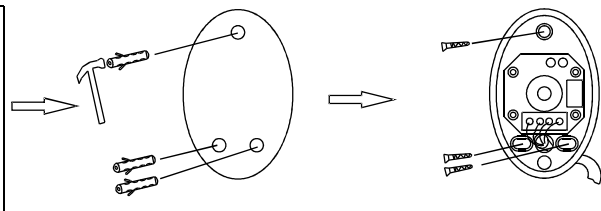
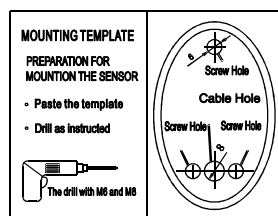
Installation

The best install height should be 20 cm, install distance to be no smaller than 2 meters. Install should be perpendicular to the protection equipment and on the same level. Install first the receiver part, then the emitter part. When together, always line up the OFF light in the machine in order to put out, then fix, connect the line to complete installation.

Attention:

Because this product's power is big, when the machine is shooting, there will be a reaction. At this time, you should draw back at least one meter. When the install distance is very near, you may discover an intelligent phenomenon, can shoot and receive medium of the condensing lens remove, can immediately raise an intelligent degree.

MOUNTING THE SENSOR



Avoid the sun keeps shoot