

1. Description, Features and Applications

Descriptions:

B10Cz Series square Surface Mount fuses are ceramic tube/end cap constructions, RoHS compliant, Halogen Free and lead(Pb) exempts of the requirements of RoHS Directive (EU) 2015/863 amending Annex II to Directive 2011/65/EU, with U.S. (UL/CSA) safety agency approvals. Provide board level primary and secondary circuit protection in a wide variety of applications. With excellent inrush current withstanding capability, excellent reliability for thermal and mechanic shock, also have a high reliability and stable solder ability, end caps are available in gold/silver/nickel plated.

Features:

- Time-Lag (Slow-Blow)
- Wide range of current rating available
- Low temperature de-rating
- Tape and Reel for automatic placement
- Small size(6.1mm*2.5mm)
- Wide operating temperature range
- RoHS compliant
- Conflict free metals



Applications:

- LED lighting
- LCD backlight inverter
- PC server
- Wireless base station
- Digital camera
- Notebook PC
- Portable Devices
- Cooling fan system
- White goods
- Industrial equipment
- Battery devices
- Power supply
- Storage system
- Game console
- Medical equipment
- LCD/PDP devices
- Networking devices
- Telecom system
- Office equipment
- Automotive devices



2. Standards and Agency Approvals

2.1 Standards: In accordance with UL 248-14

2.2 Certification:

Agency	Ampere Range	Agency File Number
	50mA ~ 7A	E340427
	50mA ~ 7A	E340427

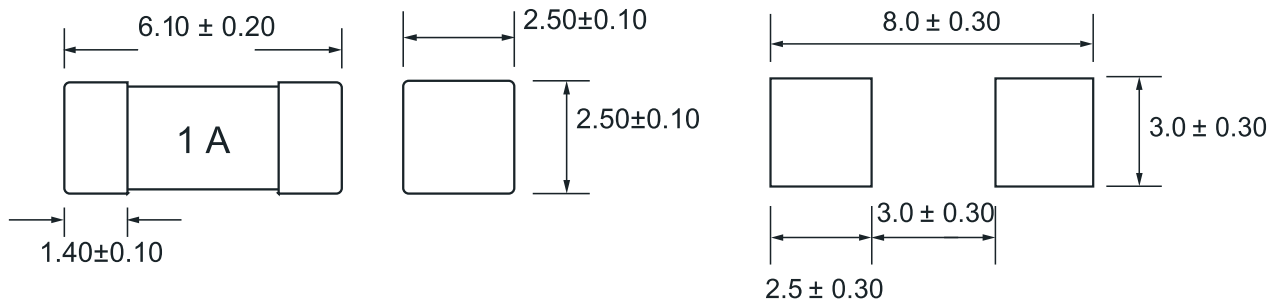
2.3 Catalogue No., ● Approved / ○ Pending

Catalog No.	Ampere Rating	Voltage Rating	Breaking Capacity	Nominal Cold Resistance (Ohms)	I ² TMelting Integral(A ² .S)	Agency Approvals	
							
B10Cz080	80mA	250Vac	50A@250VAC 200A@125VAC	*	*	●	●
B10Cz100	100mA			●	●		
B10Cz200	200mA			●	●		
B10Cz250	250mA			0.860	0.145	●	●
B10Cz300	300mA			0.620	0.162	●	●
B10Cz315	315mA			0.550	0.189	●	●
B10Cz375	375mA			0.470	0.200	●	●
B10Cz400	400mA			0.380	0.238	●	●
B10Cz500	500mA			0.320	0.275	●	●
B10Cz600	600mA			0.285	0.470	●	●
B10Cz630	630mA			0.256	0.566	●	●
B10Cz700	700mA			0.208	0.805	●	●
B10Cz750	750mA			0.175	1.240	●	●
B10Cz800	800mA			0.155	1.880	●	●
B10CzA01.00	1A			0.148	3.500	●	●
B10CzA01.25	1.25A			0.102	4.760	●	●
B10CzA01.50	1.5A			0.085	6.305	●	●
B10CzA02.00	2A			0.044	8.950	●	●
B10CzA02.50	2.5A			0.043	16.025	●	●
B10CzA03.00	3A			0.033	21.560	●	●
B10CzA03.15	3.15A			0.029	22.750	●	●
B10CzA03.50	3.5A			0.027	27.050	●	●
B10CzA04.00	4A			0.025	31.808	●	●
B10CzA05.00	5A			0.019	40.250	●	●
B10CzA06.00	6A			0.018	67.245	●	●
B10CzA06.30	6.3A	0.017	107.550	●	●		
B10CzA07.00	7A	0.015	132.780	●	●		

- *: These catalog no. cold resistance and I²t value are pending due to fuse elements shall be customized;
- DC Cold Resistance are measured at <10% of rated current in ambient temperature of 25°C;
- Typical Pre-arching I²t are calculated at 10*In Current or 8ms;

3. Dimensions and Structure

Unit: mm



4. Material Details

NO.	Part Name	Material
1	End caps	Au Plated Brass Cap
2	Body	Non-Transparent Square Ceramic Tube
3	Fuse element	Cu-Ag Alloy wire

5. Product Characteristics

NO.	Item	Content	Reference standards
1	Product Marking	Brand, Ampere Rating	marking standards
2	Operating Temperature	-55 °C to 125 °C	IEC60068-2-1/2
3	Solderability	T=240 °C ± 5 °C , t=3sec ± 0.5sec, Coverage ≥ 95%	MIL-STD-202, Method 208
4	Resistance to Soldering Heat	10 sec at 260 °C	MIL-STD-202, Method 210, Test condition B
5	Insulation Resistance (after Opening)	10,000 ohms minimum	MIL-STD-202, Method 302, Test Condition A
6	Thermal Shock	5 cycles, -65 °C / +125 °C, 15 minutes at each extreme	MIL-STD-202, Method 107, Test Condition B
7	Mechanical Shock	100G's peak for 6 milliseconds, 3cycles	MIL-STD-202, Method 213, Test I
8	Vibration	0.03" amplitude, 10-55 Hz in 1 min. 2hrs each XYZ=6hrs	MIL-STD-202, Method 201
9	Moisture Resistance	10 cycles	MIL-STD-202, Method 106
10	Salt Spray	5% salt solution, 48hrs	MIL-STD-202, Method 101, Test Condition B

6. Electrical Characteristics

6.1 Test Condition

25 ± 5 °C.

All electrical test is to be conducted with the ambient air at a temperature of 25 ± 5 °C.

6.2 Interrupting Rating:

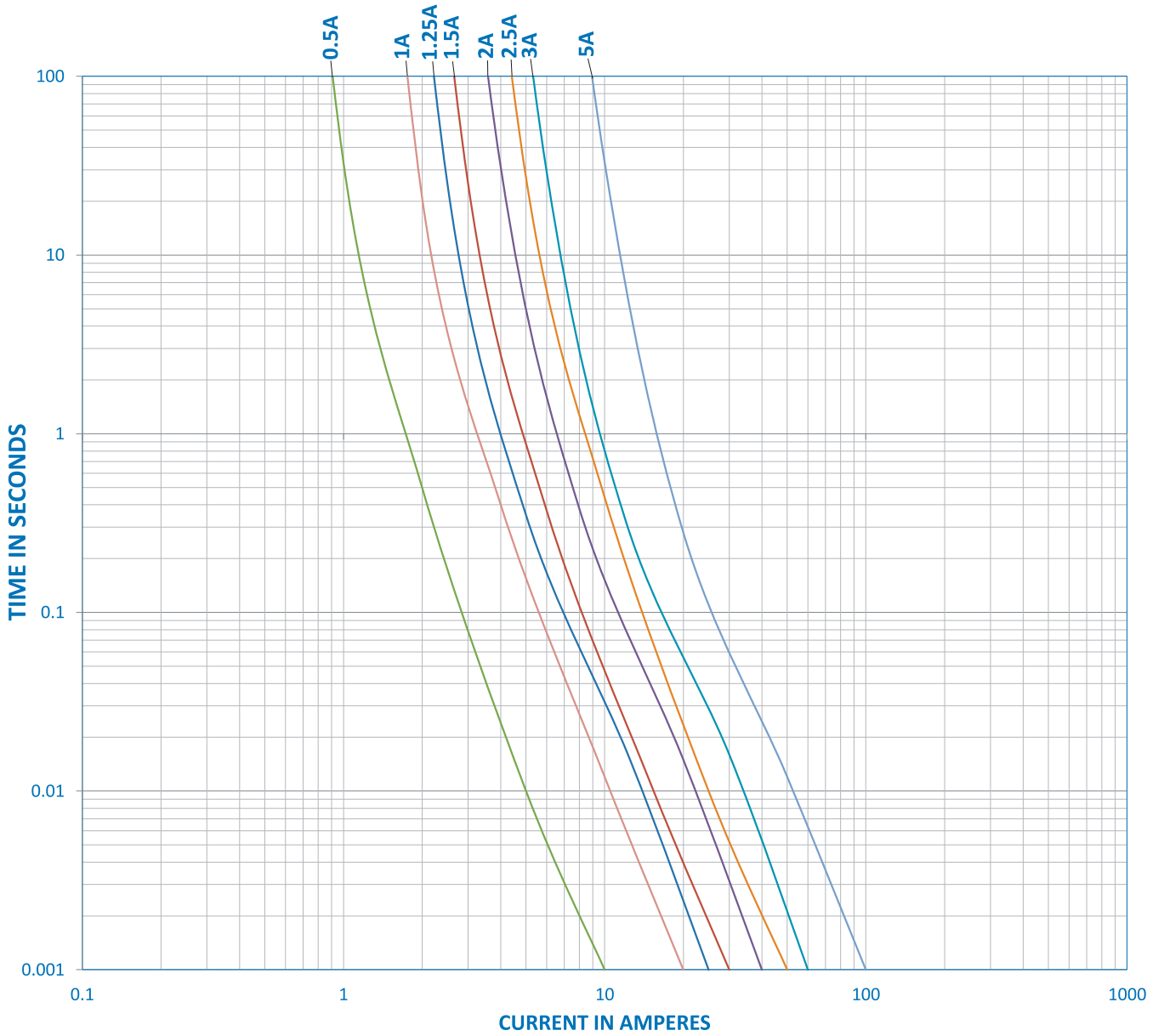
50A@250Vac, 200A@125Vac.

Breaking Capacity: 50A@250Vac, 200A@125Vac.

6.3 Operating Characteristics

% of Ampere Rating(In)	Blowing Time
100% * In	4 hours Min
200% * In	120 sec Max
1000% * In	10ms Min

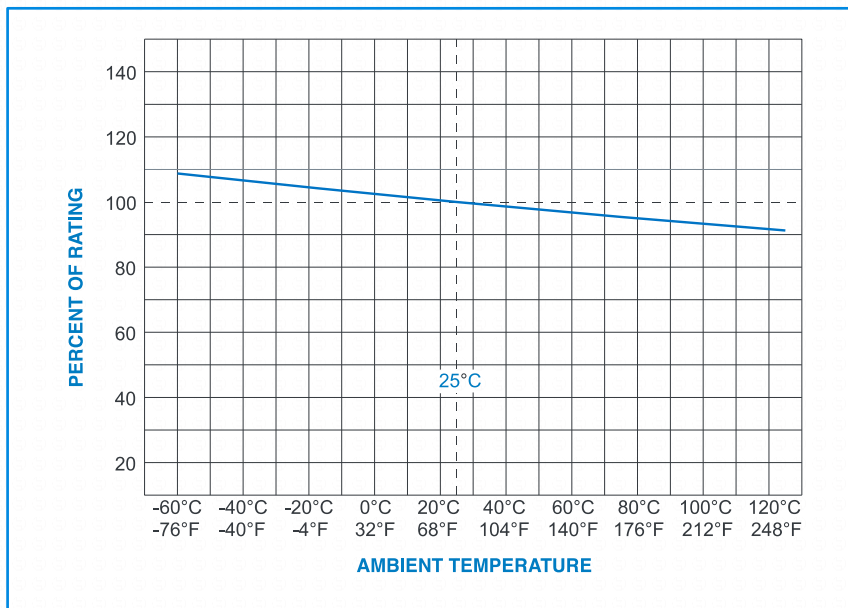
6.4 Average Time Current Curves



7. Environmental Characteristic

When choosing the fuse's specification, if the operating environmental temperature beyond the scope from 20~30°C, engineer should consider the environmental temperature's affection to fuses.

Please refer: Temperature Rerating Curve:



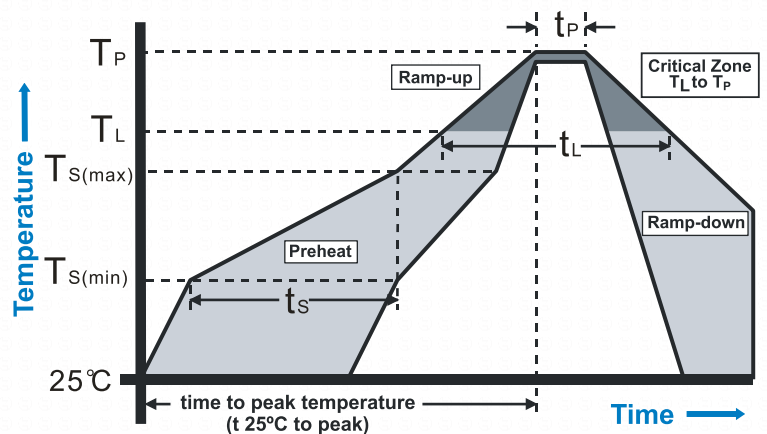
8. Recommended Soldering Parameters

A. Wave Soldering Parameters:

Solder Pot Temperature: 260°C Max;

Solder Dwell Time: 5 seconds max

Reflow Condition		Pb-Free assembly
Average ramp-up rate (Ts(max) to Tp)		5 °C /second max.
Preheat	Temperature Min (Ts(min))	150 °C
	Temperature Max (Ts(max))	200 °C
Time (Min to Max) (ts)		60-120 seconds
Reflow	Temperature (TL)	220 °C
	Time Max (tL)	60 seconds
Peak Temperature(Tp)		260 °C max
Ramp-down Rate		5 °C/second max
Time 25 °C to peak Temperature (Tp)		8 minutes max



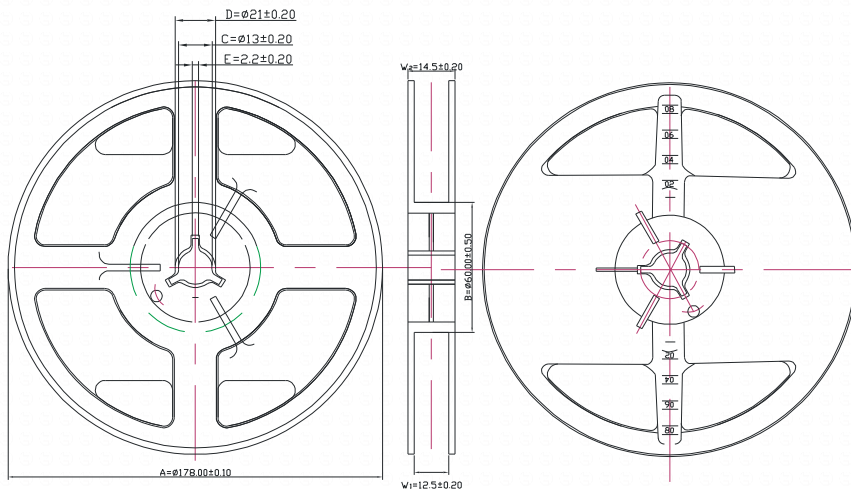
B. Hand-Solder Parameters:

Solder Iron Temperature: $300 \pm 5^\circ\text{C}$

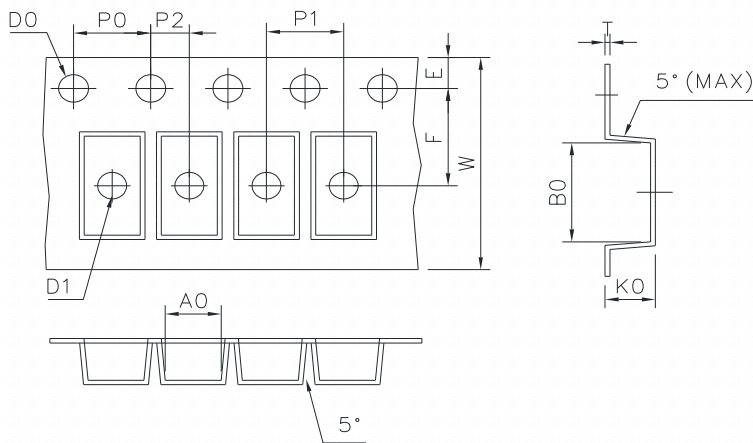
Heating Time: 1~2 s Max

9. Packaging

1,000 pcs in 7 inches dia. reel, 12mm wide tape, EIA Standard 481



Item	A	B	C	D	E	W1	W2
Spec.(mm)	178±0.10	60±0.50	13±0.20	21±0.20	2.2±0.20	12.5±0.20	14.5±0.20



Item	A_0	B_0	D_0	D_1	E	F
Spec.(mm)	2.70±0.10	6.40±0.10	1.50±0.10	1.50±0.25	1.75±0.10	5.50±0.10
Item	K_0	P_0	P_1	P_2	W	t
Spec.(mm)	2.70±0.10	4.00±0.10	4.00±0.10	2.00±0.10	12.00±0.15	0.25±0.05