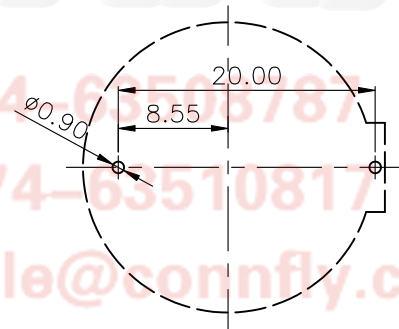
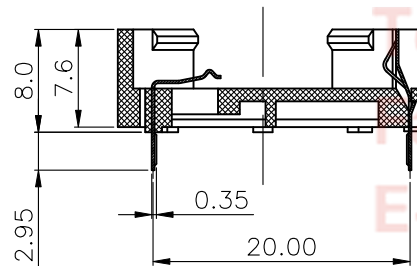
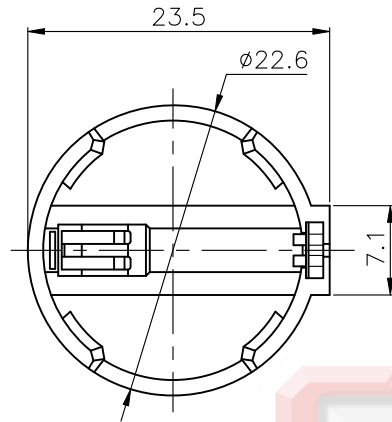


REV.	DESCRIPTION	DRAWN	CHECKED	APPROVED
A	NEW RELEASE	YCH 08/07/12'	~	LJC 08/07/12'
B	DRAWING UPDATE	JLZ 08/07/12'	~	



Recommend PCB Layout
Tolerance=±0.05

NOTE:

1. Materials:

1.1 Base: Thermoplastic,UL94 V-0,Color of black.
Temp.Range: -25°C to +85°C.

1.2 Positive & Negative Contacts: Copper Alloy.

2. Specification:

2.1 Dielectric Withstanding Voltage: AC 500V AC.

2.2 Insulation Resistance: 1000MΩ min.

2.3 Contact Resistance: 100mΩ Max.

3. Part Number Code:

DS1092-06 - X X X

Housing material:

P: PBT

Contact plating:

6: Tin


Housing color:

B: Black

GENERAL TOLERANCE		ANGLE TOLERANCE	
X.	±0.60	X.	±5°
.X	±0.38	.X	±3°
.XX	±0.25	.XX	±2°

PROJECTION	TITLE	2032 Lithium Coin Cell Battery Holders Horizontal insert type	
UNITS	mm	SHEET SIZE	A4
SHEET SIZE	A4	SERIES	DS1092-06 Series

DRAWING TYPE	CUSTOMER		
SCALE	1:1	SHEET	10F1
DRAWING NO.	C-DS1092-06-XXX-B		

 **晨翔电子有限公司**
CONNFLY CONNFLY ELECTRONIC CO. LTD