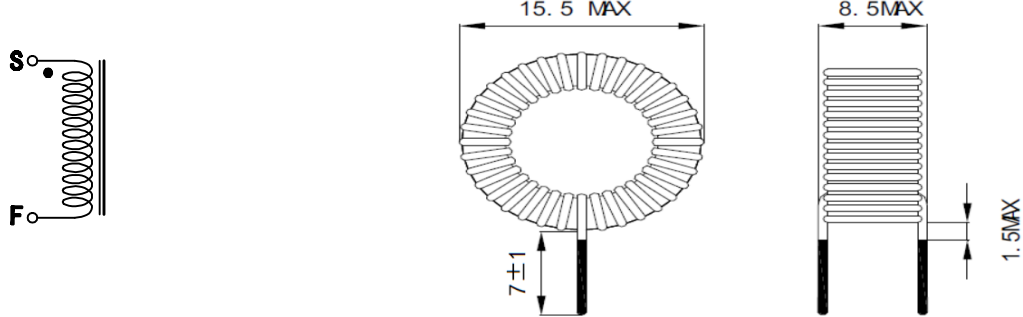


DT0047.0/3A/15.5x8

SPECIFICATION FOR APPROVAL

1、 DIMENSIONS (UNIT:mm) :



2、 ELECTRICAL CHARACTERISTICS:

L(S-F) : 47.0 μ H \pm 10%	RATED CURRENT : 3A MAX
DCR : 60m Ω MAX	
	MEASURING INSTRUMENT : TH2810B LCR1KHz/1V

3、 MATERIAL LIST:

WIRE : N1 (S-F) : 2UEW ϕ 0.6mm x 35.0Ts ;