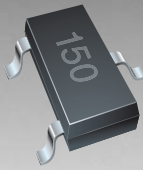


*RoHS COMPLIANT



BOURNS®

Features

- RoHS compliant*
- Working peak voltage 7 V or 12 V
- ESD protection 30 kV max.
- Surge protection

Applications

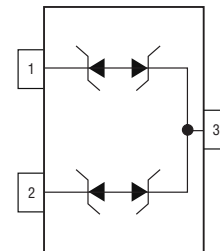
- Wireless systems
- Network protection
- Portable electronics
- RS485 port protection

CDSOT23-SM712 — Surface Mount TVS Diode

General Information

The CDSOT23-SM712 device provides ESD, EFT and Surge protection for data ports meeting IEC 61000-4-2 (ESD), IEC 61000-4-4 (EFT) and IEC 61000-4-5 (Surge) requirements. The Transient Voltage Suppressor array offers 2 TVS diodes with Working Peak Reverse Voltage of 7 V or 12 V with Minimum Breakdown Voltage of 7.5 V or 13.3 V respectively.

The SOT23 packaged device will mount directly onto the industry standard SOT23 footprint. Bourns® Chip Diodes conform to JEDEC standards, are easy to handle with standard pick and place equipment and the flat configuration minimizes roll away.



Absolute Maximum Ratings (@ T_A = 25 °C Unless Otherwise Noted)

Parameter	Symbol	Value	Unit
Peak Pulse Power (t _p = 8/20 μs) ¹	P _{PK}	400	W
Peak Pulse Current (8/20 μs)	I _{PP}	17	A
Storage Temperature	T _{STG}	-55 to +150	°C
Operating Temperature	T _{OPR}	-55 to +150	°C

Electrical Characteristics (@ T_A = 25 °C Unless Otherwise Noted)

Parameter	Symbol	Value	Unit
Minimum Breakdown Voltage @ 1 mA Pin 3 - 1 and Pin 3 - 2 Pin 1 - 3 and Pin 2 - 3	V _{BR}	7.5 13.3	V
Maximum Working Peak Voltage Pin 3 - 1 and Pin 3 - 2 Pin 1 - 3 and Pin 2 - 3	V _{WM}	7.0 12.0	V
Maximum Leakage Current @ V _{WM} Pin 3 - 1 and Pin 3 - 2 Pin 1 - 3 and Pin 2 - 3	I _D	20.0 1.0	μA
Maximum Clamping Voltage @ I _P = 1 A Pin 3 - 1 and Pin 3 - 2 Pin 1 - 3 and Pin 2 - 3	V _C	11 19	V
Maximum Clamping Voltage @ I _P = 5 A Pin 3 - 1 and Pin 3 - 2 Pin 1 - 3 and Pin 2 - 3	V _C	12 20	V
Maximum Clamping Voltage @ I _{PP} = 17 A Pin 3 - 1 and Pin 3 - 2 Pin 1 - 3 and Pin 2 - 3	V _C	14 26	V
Typical Junction Capacitance @ 0 V, 1 MHz (Pin 3-1 and Pin 3-2) & (Pin 1 - 3 and Pin 2 - 3)	C _D	75	pF
ESD Protection (per IEC 61000-4-2) Contact - Min. Contact - Max. Air - Min. Air - Max.	ESD	±8 ±30 ±15 ±30	kV

Note:

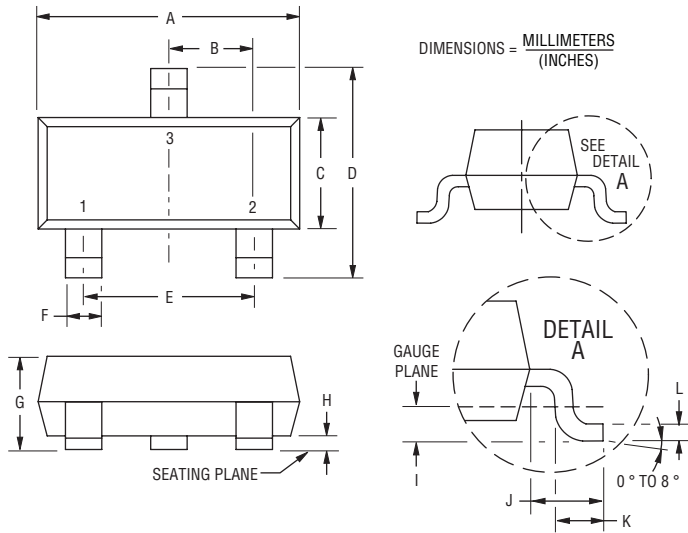
1. See Peak Pulse Power vs. Pulse Time.

CDSOT23-SM712 — Surface Mount TVS Diode



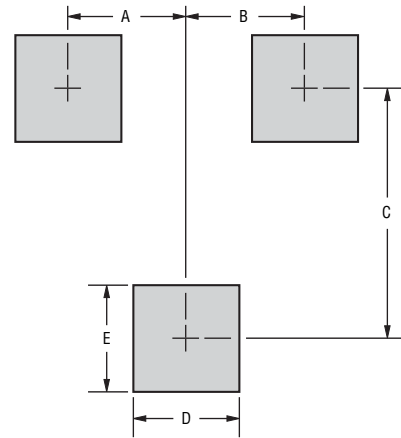
Product Dimensions

This is a molded JEDEC SOT-23 package with 100 % Matte Sn plating on the lead frame. It weighs approximately 8 mg and has a flammability rating of UL 94V-0.



Dimensions	
A	$\frac{2.80 - 3.00}{(0.110 - 0.118)}$
B	$\frac{0.95}{(0.037)}$ BSC
C	$\frac{1.20 - 1.40}{(0.047 - 0.055)}$
D	$\frac{2.10 - 2.49}{(0.083 - 0.098)}$
E	$\frac{1.90}{(0.075)}$ BSC
F	$\frac{0.30 - 0.50}{(0.012 - 0.019)}$
G	$\frac{0.89 - 1.17}{(0.035 - 0.046)}$
H	$\frac{0.05 - 0.015}{(0.002 - 0.006)}$
I	$\frac{0.25}{(0.010)}$ BSC
J	$\frac{0.46 - 0.64}{(0.018 - 0.025)}$
K	$\frac{0.40 - 0.58}{(0.016 - 0.023)}$
L	$\frac{0.08 - 0.20}{(0.003 - 0.008)}$

Recommended Footprint



Dimensions	
A	$\frac{0.95}{(0.037)}$
B	$\frac{0.95}{(0.037)}$
C	$\frac{2.00}{(0.079)}$
D	$\frac{0.85}{(0.033)}$
E	$\frac{0.85}{(0.033)}$

How To Order

CD SOT23 - SM 712

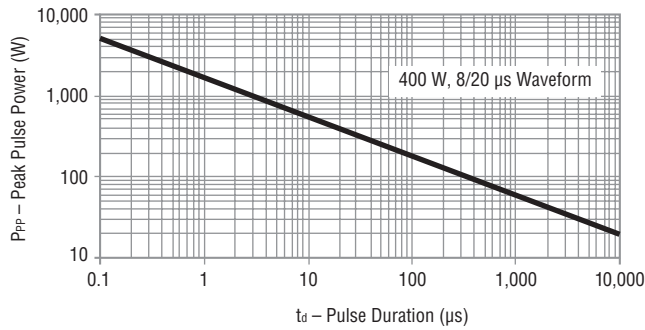
Common Code _____
 Chip Diode _____
 Package _____
 • SOT23 = SOT23 Package
 Model _____
 SM = Special Model
 Working Peak Reverse Voltage _____
 712 = 7 V_{RWM} & 12 V_{RWM} (Volts)

Typical Part Marking

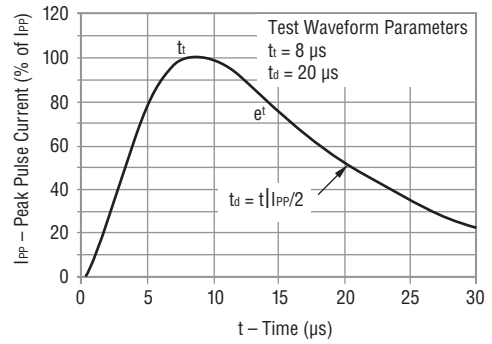
CDSOT23-SM712 **712**

Performance Graphs

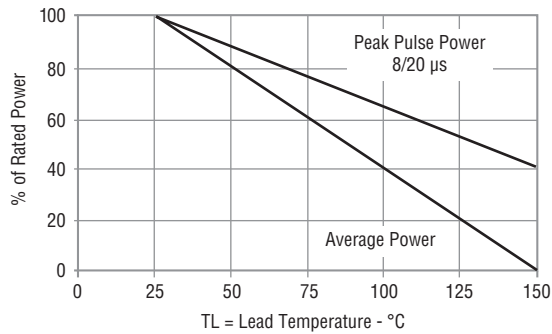
Peak Pulse Power vs Pulse Time



Pulse Waveform



Power Derating Curve

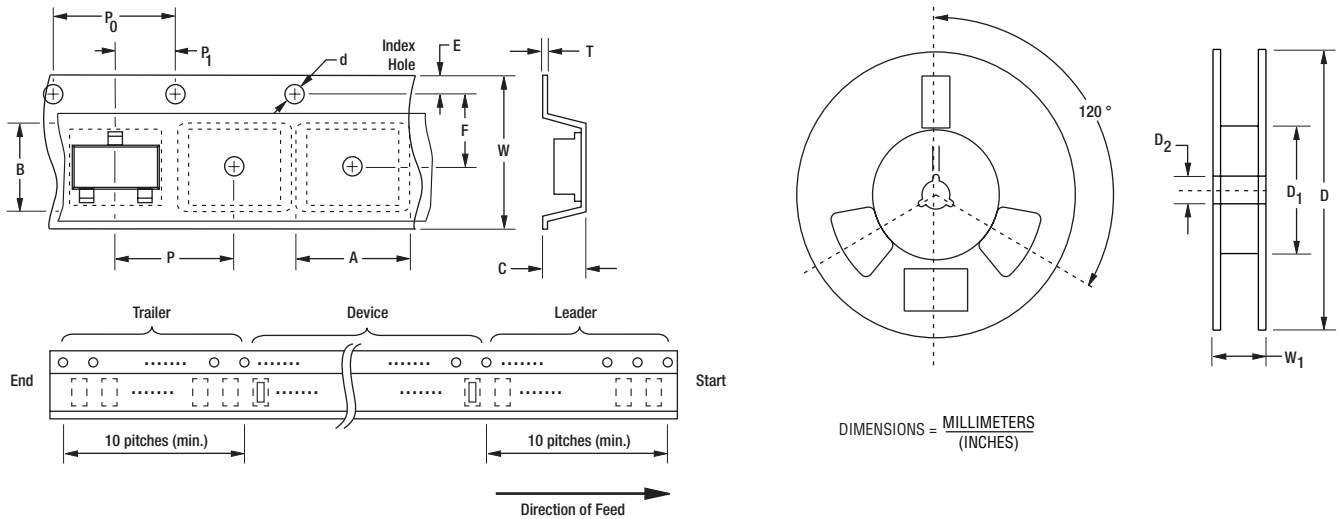


CDSOT23-SM712 — Surface Mount TVS Diode



Packaging Information

The product is packaged in an 8 mm x 4 mm tape and reel format per EIA-481-A standard.



DIMENSIONS = $\frac{\text{MILLIMETERS}}{\text{(INCHES)}}$

Item	Symbol	SOT23
Carrier Width	A	$\frac{2.25 \pm 0.10}{(0.088 \pm 0.004)}$
Carrier Length	B	$\frac{2.34 \pm 0.10}{(0.092 \pm 0.004)}$
Carrier Depth	C	$\frac{1.22 \pm 0.10}{(0.048 \pm 0.004)}$
Sprocket Hole	d	$\frac{1.55 \pm 0.05}{(0.061 \pm 0.002)}$
Reel Outside Diameter	D	$\frac{178}{(7.008)}$
Reel Inner Diameter	D ₁	$\frac{50.0}{(1.969)}$ Min.
Feed Hole Diameter	D ₂	$\frac{13.0 \pm 0.20}{(0.512 \pm 0.008)}$
Sprocket Hole Position	E	$\frac{1.75 \pm 0.10}{(0.069 \pm 0.004)}$
Punch Hole Position	F	$\frac{3.50 \pm 0.05}{(0.138 \pm 0.002)}$
Punch Hole Pitch	P	$\frac{4.00 \pm 0.10}{(0.157 \pm 0.004)}$
Sprocket Hole Pitch	P ₀	$\frac{4.00 \pm 0.10}{(0.157 \pm 0.004)}$
Embossment Center	P ₁	$\frac{2.00 \pm 0.05}{(0.079 \pm 0.002)}$
Overall Tape Thickness	T	$\frac{0.20 \pm 0.10}{(0.008 \pm 0.004)}$
Tape Width	W	$\frac{8.00 \pm 0.20}{(0.315 \pm 0.008)}$
Reel Width	W ₁	$\frac{14.4}{(0.567)}$ Max.
Quantity per Reel	—	3,000



REV. 07/12

Specifications are subject to change without notice. Customers should verify actual device performance in their specific applications.