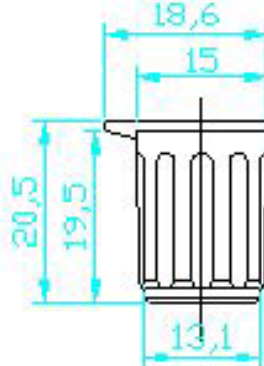
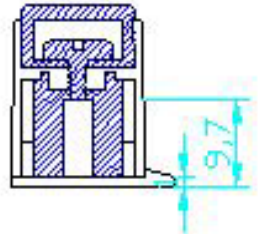

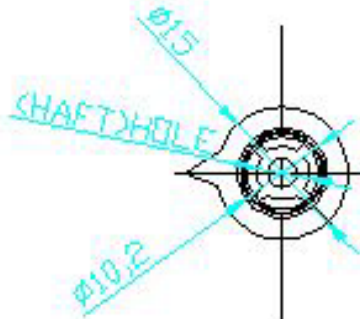
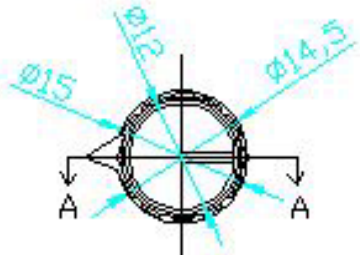


Part NO.	<b>G 206B_x</b>	<b>Drawing</b>	
Dimensions	15x20.5mm	  <p style="text-align: center;">SECTION A-A</p>	
Material	Copper+ABS		
Color	Black body White line		
Shaft Hole	6.35mm shaft hole		
			
		  <p style="text-align: center;">(SECTION)HOLE=6.35/6.0/4.0mm</p>	