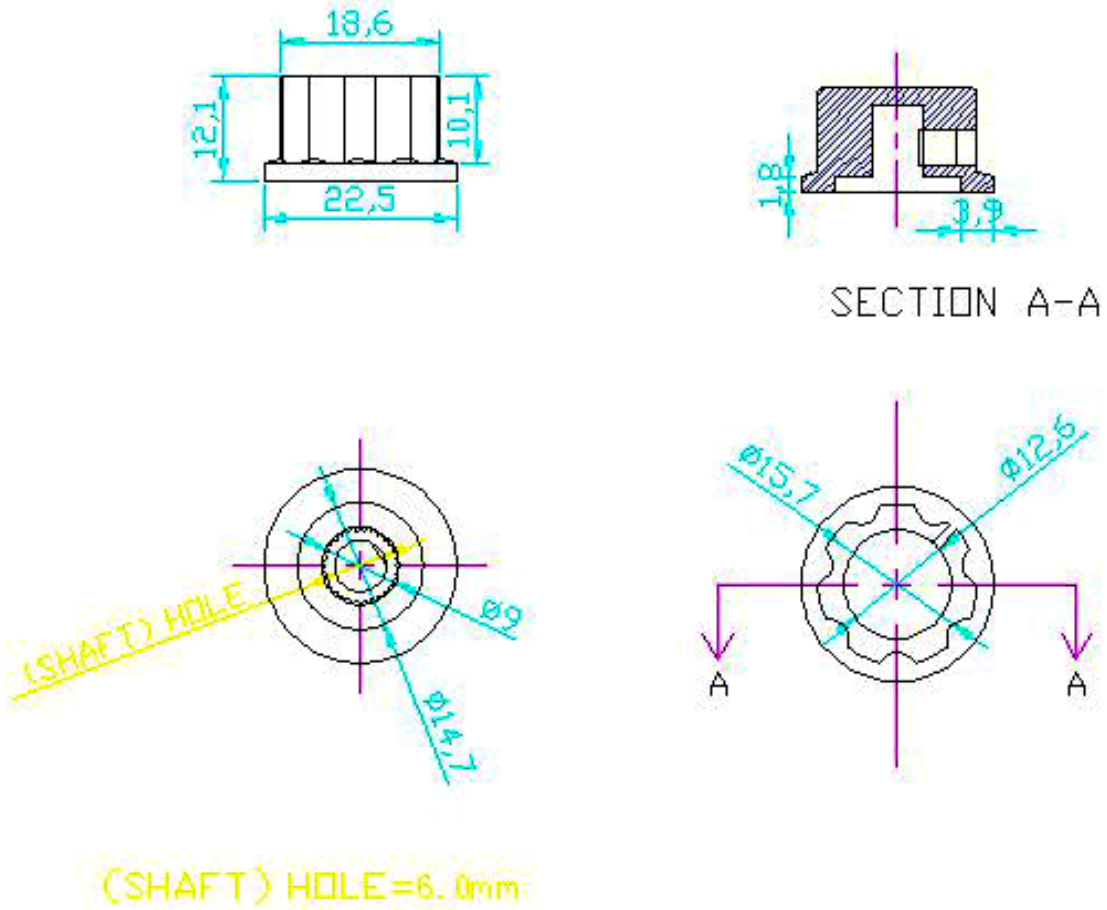


Part NO.	<b>G 505B_SI</b>	<b>Drawing</b>	
Dimensions	22.5x12.1mm	 <p>(SHAFT) HOLE = 6.0mm</p>	
Material	Copper+Bakelite		
Color	Black body Silver line		
Shaft Hole	6mm shaft hole		
