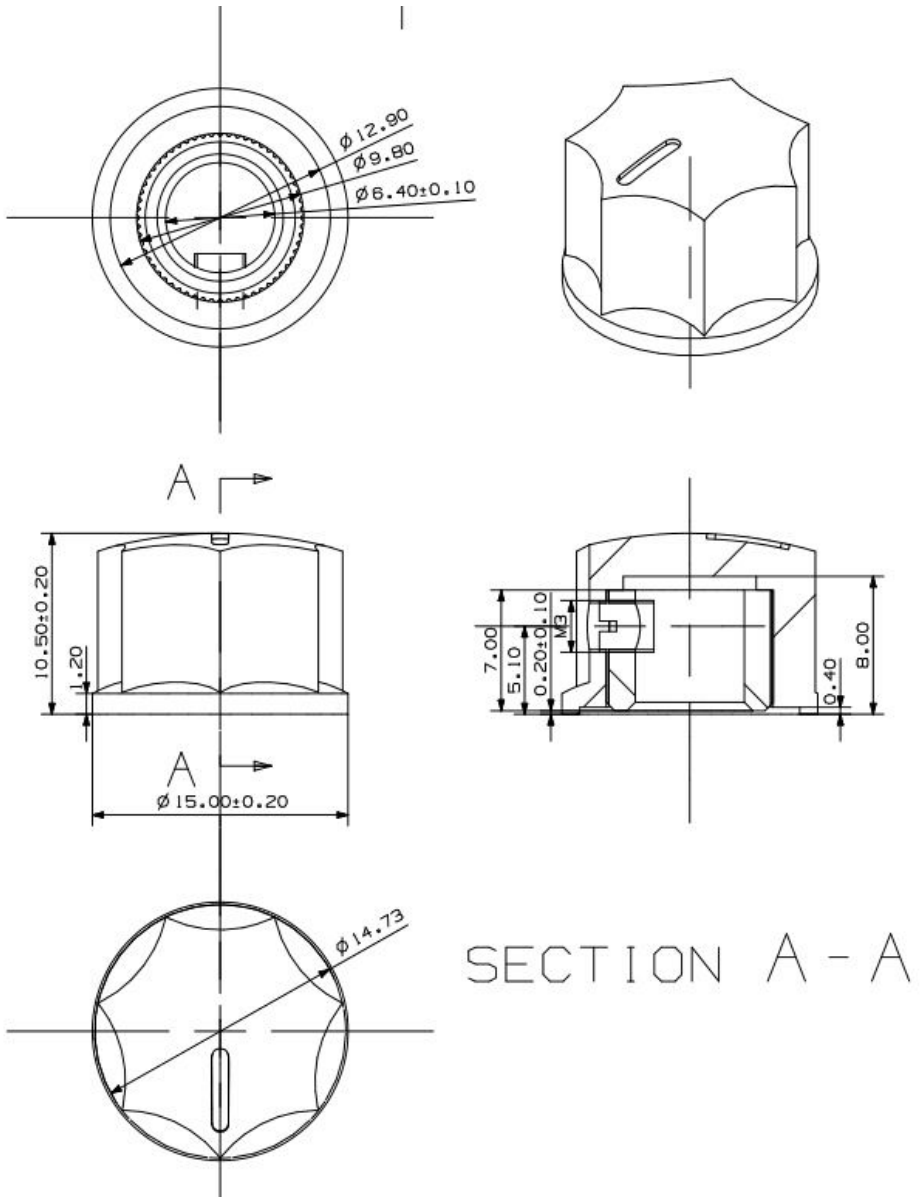
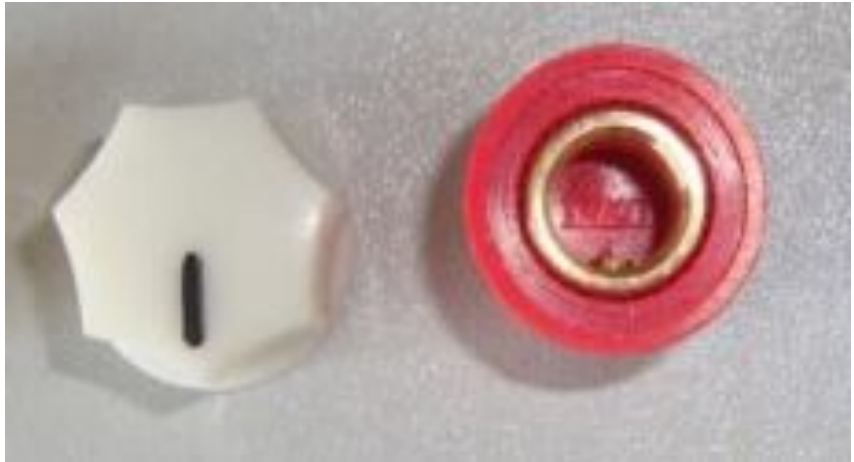


Part NO.	G 507x	Drawing
Dimensions	15x10.5mm	
Material	Copper+Bakelite	
Color	Yellow/Black/Red/White/ Blue body White/Black line	
Shaft Hole	6.35mm shaft hole	



SECTION A - A