

EXAMINED BY : <i>Jason Ma.</i>	EMERGING DISPLAY TECHNOLOGIES CORPORATION	FILE NO . CAS-50197
APPROVED BY: <i>David Chang</i>		ISSUE : AUG.03,2000
		TOTAL PAGE : 10
		VERSION : 4

CUSTOMER ACCEPTANCE SPECIFICATIONS

MODEL NO. :

EW 3 2 F 9 0 F L W

FOR MESSRS :

CUSTOMER'S APPROVAL

DATE :

BY :

EMERGING DISPLAY
TECHNOLOGIES CORPORATION

MODEL NO. E W 3 2 F 9 0 F L W	VERSION 4
----------------------------------	--------------

RECORDS OF REVISION	DOC . FIRST ISSUE	MAR.31,2000
---------------------	-------------------	-------------

DATE	REVISED PAGE NO.	SUMMARY
APR.05,2000	1	2. MECHANICAL SPECIFICATIONS (2) MODULE SIZE : 88.3W * 68.6H * 7.0 D (max.) mm → 88.3W * 68.6H * 7.5 D (max.) mm
	7	7. OUTLINE DIMENSION ① MODULE THICKNESS : 7.0max → 7.5 max ② FLEX CABLE : PITCH 1.25 → PITCH 1.0
	9	9. DETAIL DRAWING OF DOT MATRIX 57.59 L * 76.79 W → 76.79 L * 57.59 W
JUN.12,2000	1	2. MECHANICAL SPECIFICATIONS (2) MODULE SIZE : 88.3W * 68.6H * 7.5 D (max.) mm → 93.8W * 66.6H * 6.5 D (max.) mm
	7	7. OUTLINE DIMENSION ALL PAGE WAS CHANGED.
AUG.03,2000	2	3.1 ELECTRICAL ABSOLUTE MAXIMUM RATINGS POWER SUPPLY FOR LED : VLED - VLSS : 4.0 V max → 5.0 V max
	3	ALL PAGE WAS CHANGED .
	10	11.1 POWER SUPPLY FOR LCM VEE - VSS = 18.0 → 21.5 V VLED - VLSS = 3.6 → 5.0 V

TABLE OF CONTENTS

NO.	ITEM	PAGE
1.	GENERAL SPECIFICATIONS -----	1
2.	MECHANICAL SPECIFICATIONS -----	1
3.	ABSOLUTE MAXIMUM RATINGS -----	2
4.	ELECTRICAL CHARACTERISTICS -----	3
5.	TIME CHARACTERISTICS -----	4,5
6.	OPTICAL CHARACTERISTICS -----	6
7.	OUTLINE DIMENSION -----	7
8.	BLOCK DIAGRAM -----	8
9.	DETAIL DRAWING OF DOT MATRIX -----	9
10.	INTERFACE SIGNAL -----	9
11.	POWER SUPPLY -----	10

1. GENERAL SPECIFICATIONS

1.1 GENERAL SPECIFICATIONS

PLEASE REFER TO :

CUSTOMER ACCEPTANCE STANDARD SPECIFICATIONS :

E U - 0 0 2 A

1.2 THIS INDIVIDUAL SPECIFICATIONS IS PRIOR TO GENERAL SPECIFICATIONS .

2. MECHANICAL SPECIFICATIONS

(1) NUMBER OF DOTS	-----	320W * 240H DOTS
(2) MODULE SIZE	-----	93.8W * 66.6H * 6.5 D (max.) mm
(3) EFFECTIVE AREA	-----	78.8W * 59.6H mm
(4) ACTIVE AREA	-----	76.79W * 57.59H mm
(5) DOT SIZE	-----	0.23W * 0.23H mm
(8) DOT PITCH	-----	0.24W * 0.24H mm
(9) LCD TYPE	-----	FSTN, POSITIVE, BLACK/WHITE, TRANSFLECTIVE
(10) DRIVING METHOD	-----	1 / 240 DUTY MULTIPLEX DRIVE
(11) VIEWING DIRECTION	-----	6 O'CLOCK
(12) BACK LIGHT	-----	LED; COLOR : WHITE

3. ABSOLUTE MAXIMUM RATINGS

3.1 ELECTRICAL ABSOLUTE MAXIMUM RATINGS. (AT Ta = 25 °C)

PARAMETER	SYMBOL	MIN .	MAX .	UNIT	REMARK
POWER SUPPLY FOR LOGIC	VDD – VSS	0	7.0	V	
POWER SUPPLY FOR LCD DRIVING	VEE – VSS	0	27	V	
INPUT VOLTAGE	VI	VSS	VDD	V	
STATIC ELECTRICITY	—	—	100	V	NOTE (1)
POWER SUPPLY FOR LED	VLED – VLSS	—	5.0	V	

NOTE (1) : TEST METHOD AND CONDITIONS :
AFTER CHARGING UP 200 PF CAPACITOR BY STATED VOLTAGE ,
THE CAPACITOR IS CONNECTED WITH INTERFACE PINS OF THE
MODULE .

3.2 ENVIRONMENTAL ABSOLUTE MAXIMUM RATINGS .

I T E M	OPERATING		STORAGE		REMARK
	MIN .	MAX .	MIN .	MAX .	
AMBIENT TEMPERATURE	- 20 °C	70 °C	- 20 °C	70 °C	NOTE (2), (3)
HUMIDITY	—	85 % RH	—	85 % RH	WITHOUT CONDENSATION
VIBRATION	—	2.45 m/S ² (0.25 G)	—	11.76 m/S ² (1.2 G)	10---100HZ XYZ DIRECTIONS 1 Hr.EACH
SHOCK	—	29.4 m/S ² (3 G)	—	490 m/S ² (50 G)	10 mSECONDS XYZ DIRECTIONS 1 TIME EACH
CORROSIVE GAS	NOT ACCEPTABLE		NOT ACCEPTABLE		

NOTE (2) : Ta AT -20°C : 48HR MAX.
70°C : 168HR MAX.

NOTE (3) : BACKGROUND COLOR CHANGES SLIGHTLY DEPENDING ON AMBIENT
TEMPERATURE THIS PHENOMENON IS REVERSIBLE .

4. ELECTRICAL CHARACTERISTICS

Ta = 25 °C

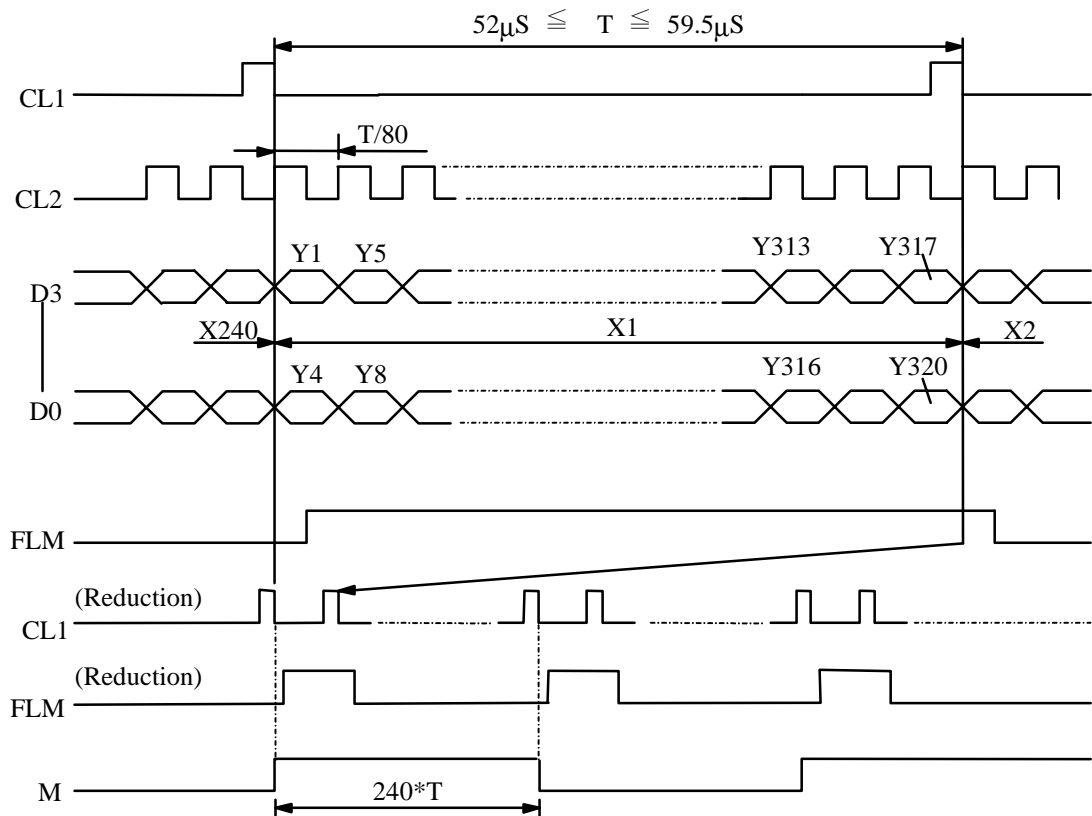
PARAMETER	SYMBOL	CONDITION	MIN .	TYP .	MAX .	UNIT
POWER SUPPLY VOLTAGE FOR LOGIC	VDD – VSS	—	2.5	—	5.0	V
POWER SUPPLY VOLTAGE FOR LCD DRIVE	VEE – VSS	—	+15	—	+27	V
INPUT VOLTAGE NOTE (1)	VIH	H LEVEL	0.8VDD	—	—	V
	VIL	L LEVEL	—	—	0.2VDD	V
POWER SUPPLY CURRENT FOR LOGIC NOTE (2)	IDD	VDD–VSS =3.0V VEE–VSS=21.5V	—	(90)	—	μA
POWER SUPPLY CURRENT FOR LCD DRIVE NOTE (2)	IEE	VDD–VSS =3.0V VEE–VSS=21.5V	—	(3.0)	—	mA
CONTRAST ADJUST VOLTAGE	VEE – VSS ∅ = 10°, θ = 0° DUTY=1/240	Ta = -20 °C	—	(24)	—	V
		Ta = 25 °C	—	(21.5)	—	V
		Ta = 70 °C	—	(18)	—	V
CLOCK OSCILLATION FREQUENCY	fFLM	—	70	75	80	HZ
POWER SUPPLY FOR LED	VLED – VLSS	IF = 100 mA	—	5.0	—	V

NOTE (1) : APPLIED TO TERMINALS FLM , CL1, CL2, M, D0, D1, D2, D3.

NOTE (2) : THIS DISPLAY PATTERN IS ALL ON OR OFF.

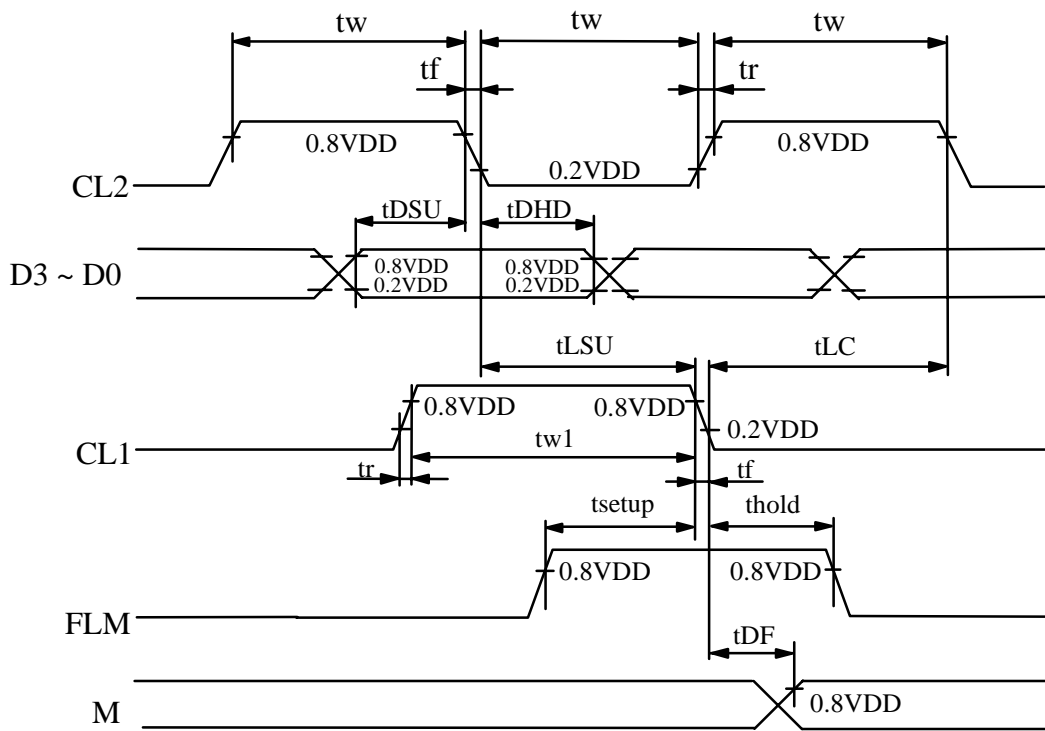
NOTE (3) : RECOMMENDED LCD DRIVING VOLTAGE MAY FLUCTUATE ABOUT ± 1 . 0 V BY EACH MODULE.

5. TIMING CHARACTERISTICS
5.1 INTERFACE TIMING



5.2 SWITCHING CHARACTERISTICS

PARAMETER	SYMBOL	MIN.	TYP.	MAX.	UNIT
CL1 PULSE WIDTH	tw1	30	—	—	ns
CL2 PULSE	tw	51	—	—	ns
RISE,FALL TIME	tr,tf	—	—	50	ns
DATA SETUP TIME	tDSU	30	—	—	ns
DATA HOLD TIME	tDHD	40	—	—	ns
CL1 SETUP TIME	tLSU	51	—	—	ns
CL1 TO CL2 TIME	tLC	51	—	—	ns
FLM SETUP TIME	tsetup	30	—	—	ns
FLM HOLD TIME	thold	50	—	—	ns
OUTPUT DELAY TIME	tDF	—	—	200	ns



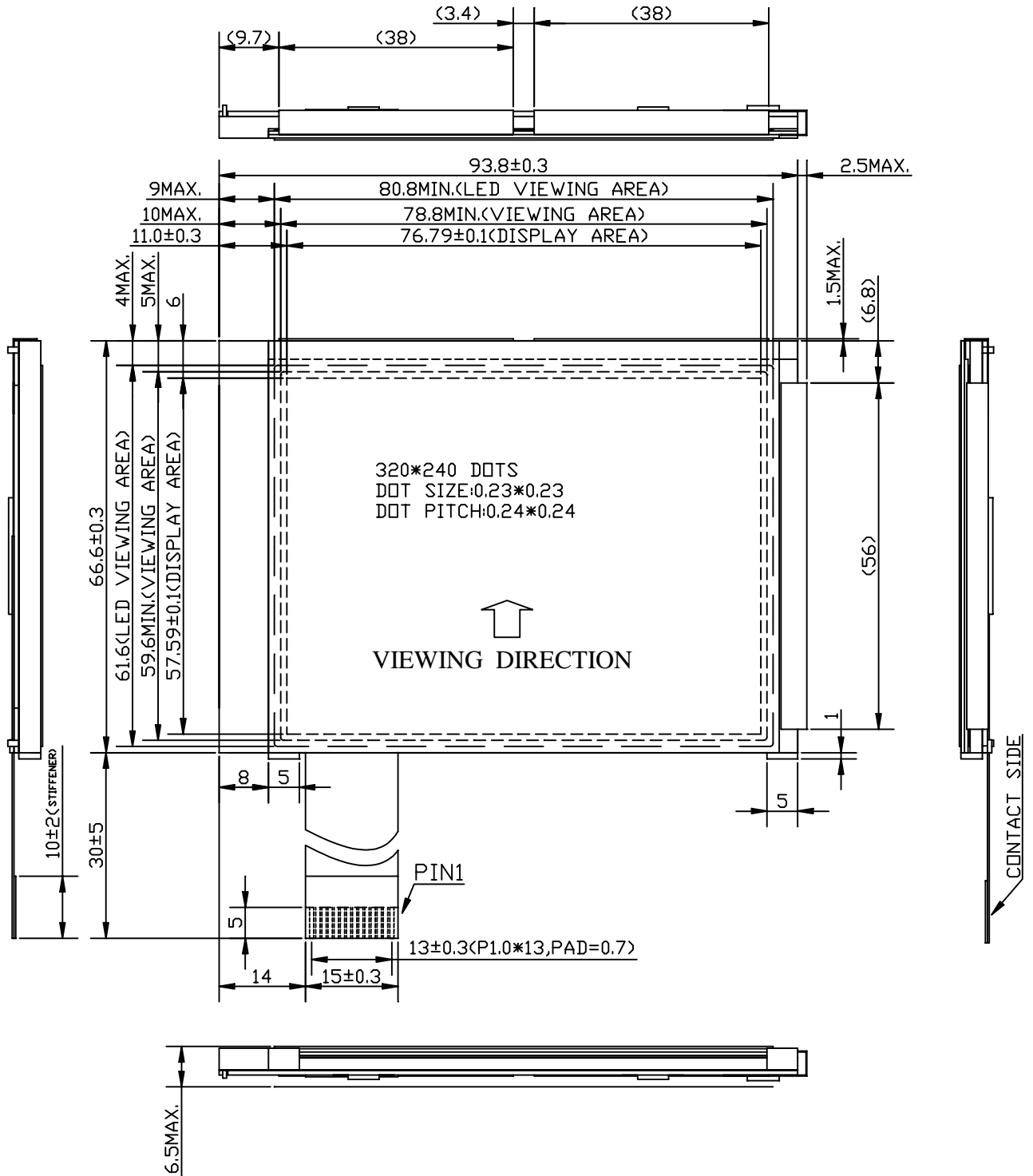
6. OPTICAL CHARACTERISTICS

Ta = 25 °C

I T E M	SYMBOL	CONDITION	MIN .	TYP .	MAX.	UNIT	NOTE
VIEWING AREA	$\varnothing 2 - \varnothing 1$	$K \geq 2.0$	50	—	—	deg.	1
CONTRAST	K	$\varnothing = 10^\circ$	5	—	—	—	1
RESPONSE TIME	t r (rise)	$\varnothing = 10^\circ$ $\theta = 0^\circ$	—	(330)	—	msec	1
	t f (fall)	$\varnothing = 10^\circ$ $\theta = 0^\circ$	—	(330)	—	msec	1
THE BRIGHTNESS OF BACK-LIGHT	B	$\varnothing = 10^\circ$ $\theta = 0^\circ$	10	—	—	cd/m ²	1

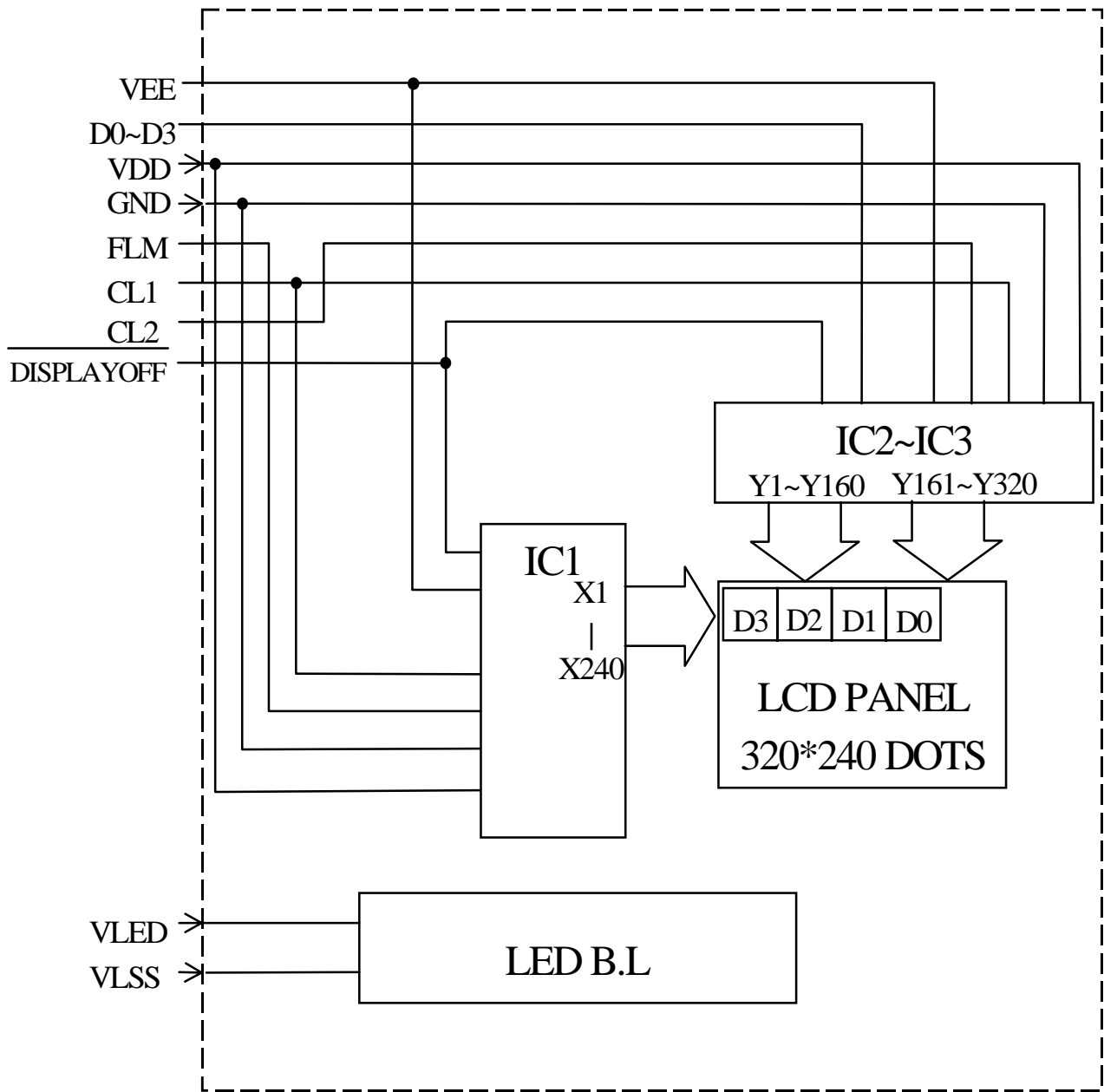
NOTE (1) : PLEASE REFER TO :
CUSTOMER ACCEPTANCE STANDARD SPECIFICATIONS. (EU - 002A)

7. OUTLINE DIMENSION

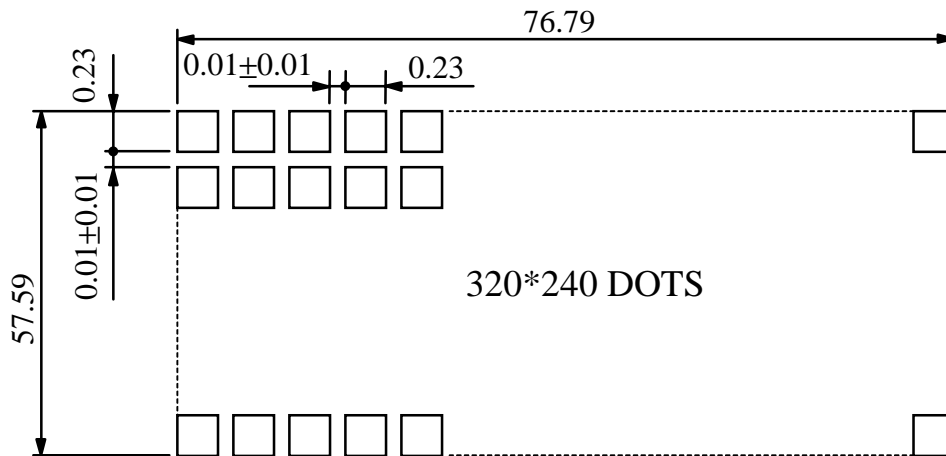


UNIT : mm
SCALE : NTS
NOT SPECIFIED TOLERANCE IS ± 0.5

8. BLOCK DIAGRAM



9. DETAIL DRAWING OF DOT MATRIX



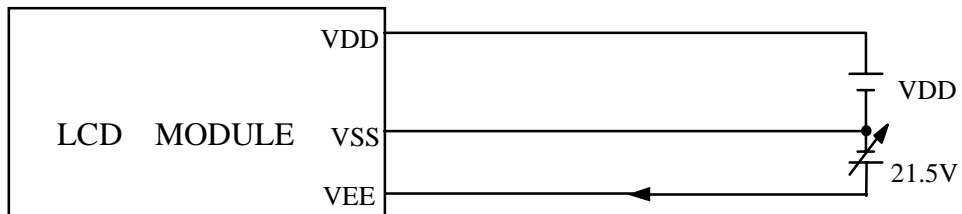
UNIT : mm
SCALE : NTS
NOT SPECIFIED TOLERANCE IS ± 0.1

10. INTERFACE SIGNALS

PIN NO.	SYMBOL	FUNCTION
1	VDD	POWER SUPPLY FOR LOGIC CIRCUIT.
2	VSS	GROUND.
3	VEE	POWER SUPPLY FOR LCD DRIVING VOLTAGE
4	FLM	THE FLM SIGNAL INDICATING THE BEGINNING OF EACH DISPLAY CYCLE.
5	N.C	NO CONNECTION
6	CL1	DISPLAY DATA LATCH.
7	CL2	DISPLAY DATA SHIFT.
8	D0	DISPLAY DATA
9	D1	DISPLAY DATA
10	D2	DISPLAY DATA
11	D3	DISPLAY DATA
12	$\overline{\text{DISPLAYOFF}}$	CONTROLL LCD ON/OFF “ L “ : DISPLAY OFF , “ H “ DISPLAY ON
13	VLED	POWER SUPPLY FOR LED B.L
14	VLSS	POWER SUPPLY FOR LED B.L

1 1 . POWER SUPPLY

1 1 .1 POWER SUPPLY FOR LCM



1 1 .2 POWER SUPPLY FOR LED BACK - LIGHT

