

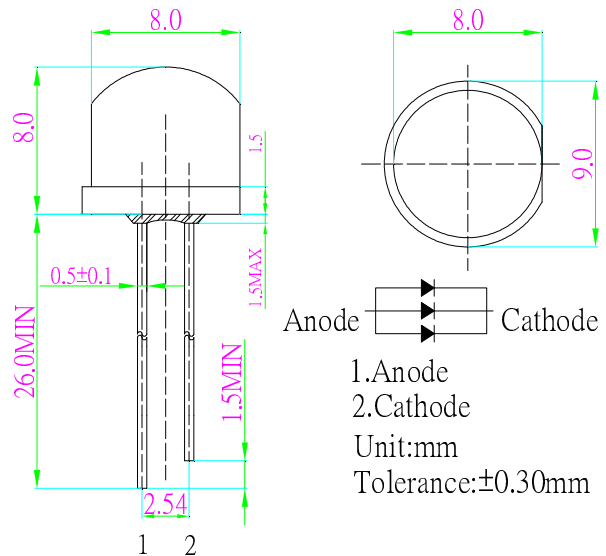
**■ Features**

- High Luminous LEDs
- 8mm Round Standard Directivity
- Superior Weather-resistance
- UV Resistant Epoxy
- Water Clear Type

**■ Applications**

- Backlighting (Illuminated advertising, general lighting, etc)
- Interior and exterior automotive lighting
- Traffic signaling / Beacons
- Other Lighting

**■ Outline Dimension**



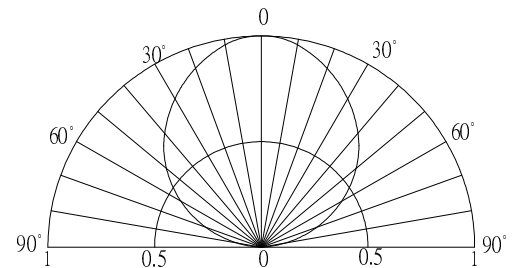
**■ Absolute Maximum Rating**

(Ta=25°C)

Item	Symbol	Value	Unit
DC Forward Current	I <sub>F</sub>	150	mA
Pulse Forward Current*	I <sub>FP</sub>	1000	mA
Reverse Voltage	V <sub>R</sub>	5	V
Power Dissipation	P <sub>D</sub>	270	mW
Operating Temperature	T <sub>opr</sub>	-30 ~ +85	°C
Storage Temperature	T <sub>stg</sub>	-40 ~ +100	°C
Lead Soldering Temperature	T <sub>sol</sub>	260°C/5sec	-

\*Pulse width Max 10ms , Duty ratio max 1/10

**■ Directivity**



**■ Electrical -Optical Characteristics**

(Ta=25°C)

Item	Symbol	Condition	Min.	Typ.	Max.	Unit
DC Forward Voltage	V <sub>F</sub>	I <sub>F</sub> =50mA	-	1.4	1.8	V
DC Reverse Current	I <sub>R</sub>	V <sub>R</sub> =5V	-	-	30	μA
Peak Wavelength	λ <sub>p</sub>	I <sub>F</sub> =50mA	-	940	-	nm
Radiant Intensity	I <sub>e</sub>	I <sub>F</sub> =50mA	68	100	-	mW/sr
50% Power Angle	2θ <sub>1/2</sub>	I <sub>F</sub> =50mA	-	110	-	deg

\*1 Tolerance of measurements of Peak wavelength is ±1nm

\*2 Tolerance of measurements of Radiant Power is ±15%

\*3 Tolerance of measurements of forward voltage is ±0.1V