


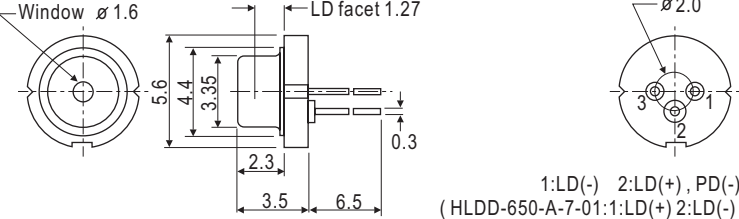


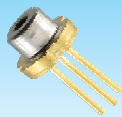
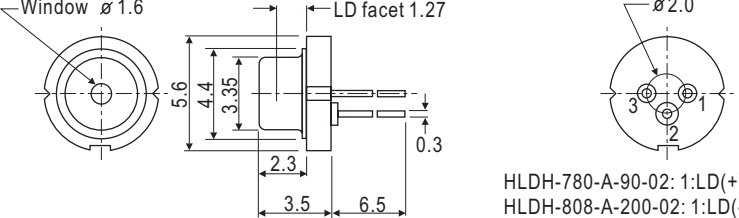
Laser Products


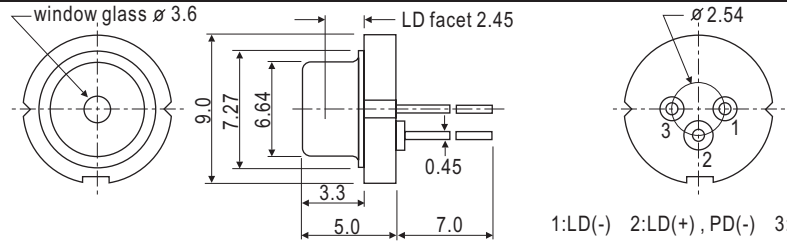
Laser Diode

Ta=25°C

Device No	Package	Operating temperature	Output power	Operating current	Monitor current	Laser wavelength	Beam divergence
		Topr	Po	Iop	Im	λp	θ// / θ⊥
		°C	mW	mA	mA	nm	deg

standard		 <p>1:LD(-) 2:LD(+), PD(-) 3:PD(+) (HLDD-650-A-7-01:1:LD(+), 2:LD(-), PD(-) 3:PD(+)) UNIT:mm</p>						
	HLDD-650-A-7-01 (for DVD pickup header)	TO-18	-10 ~ +70	7	25	0.2	650	8/28
	HLDP-635-A-5-01	TO-18	-10 ~ +40	5	32	0.1	635	7.5/33
	HLDP-650-A-5-01	TO-18	-10 ~ +50	5	25	0.25	650	8/28
	HLDP-650-A-5-02	TO-18	-10 ~ +50	5	25	0.2	650	9/28
high power	HLDH-650-A-10-01	TO-18	-10 ~ +50	10	28	0.3	650	9.5/28
	HLDH-660-A-20-01	TO-18	-10 ~ +60	20	70	0.15	650	7/16
	HLDH-660-A-50-01	TO-18	-10 ~ +30	50	90	0.15	658	9/19
	HLDH-780-A-90-01 (for CD player)	TO-18	-10 ~ +70	90	115	0.5	785	9/17
HLDH-808-B-200-01	TO-18	-10 ~ +50	200	225	-	808	11/42	

high power		 <p>HLDH-780-A-90-02: 1:LD(+) 2:LD(-) HLDH-808-A-200-02: 1:LD(-) 2:LD(+)</p>						
	HLDH-780-A-90-02 (for CD player)	TO-18	-10 ~ +70	90	115	-	785	9/17
	HLDH-808-B-200-02	TO-18	-10 ~ +50	200	225	-	808	13/42

high power		 <p>1:LD(-) 2:LD(+), PD(-) 3:PD(+)</p>						
	HLDH-808-B-500-01	TO-5	-10 ~ +30	500	750	0.8	808	9/30
	HLDH-808-B-1000-01	TO-5	-10 ~ +30	1000	1400	1.5	808	9/30