



YETDA INDUSTRY LTD.

Technical Data Sheet

MODEL NO : Q776R4

3528 Package 3.2*2.8mm Chip LEDs

Features :

- Package in 8mm tape on 7" diameter reel
- Compatible with automatic placement equipment
- Compatible with reflow solder process

Applications :

- Indicators
- Automotive : backlighting in dashboard and switch
- Backlight for LCD

| Dice material | Emitted color | Lens Color |
|---------------|---------------|-------------|
| AlGaInP | Red | Water Clear |

Electrical/Optical Characteristics(Ta=25°C)

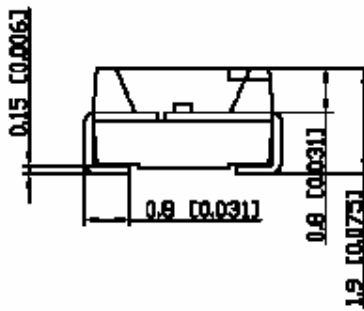
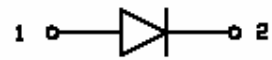
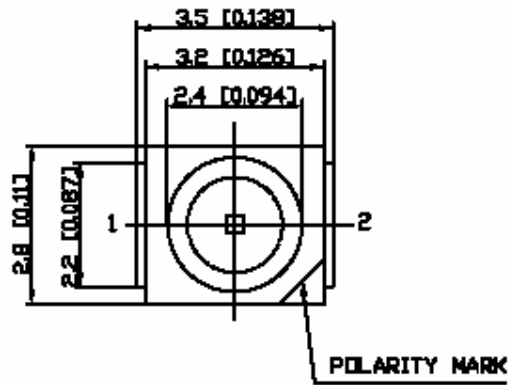
| Parameter | Test Condition | Symbol | Value | | | Unit |
|-------------------------|----------------|-----------------|-------|-----|-----|---------|
| | | | Min | Typ | Max | |
| Dominant wavelength | If=20mA | λ_{dom} | 617 | | 629 | nm |
| Forward voltage | If=20mA | Vf | 1.8 | | 2.6 | V |
| Luminous intensity | If=20mA | Iv | 225 | | 385 | mcd |
| Viewing angle at 50% Iv | If=10mA | $2\theta_{1/2}$ | -- | 120 | -- | Deg |
| Reverse current | Vr=5V | Ir | -- | -- | 10 | μ A |

Absolute Maximum Ratings(Ta=25°C)

| Parameter | Symbol | Value | Unit |
|--|--------|----------|------|
| | | R | |
| Power dissipation | Pd | 62 | mW |
| Forward current | If | 25 | mA |
| Reverse voltage | Vr | 5 | V |
| Operating temperature range | Top | -40 ~+85 | °C |
| Storage temperature range | Tstg | -40 ~+85 | °C |
| Peak pulsing current (1/8 duty f=1kHz) | Ifp | 100 | mA |



◆ Package Dimensions



Notes:

1. All dimensions are in millimeters.
2. Tolerance is ± 0.25 unless otherwise noted.
3. Specifications are subject to change without notice.