

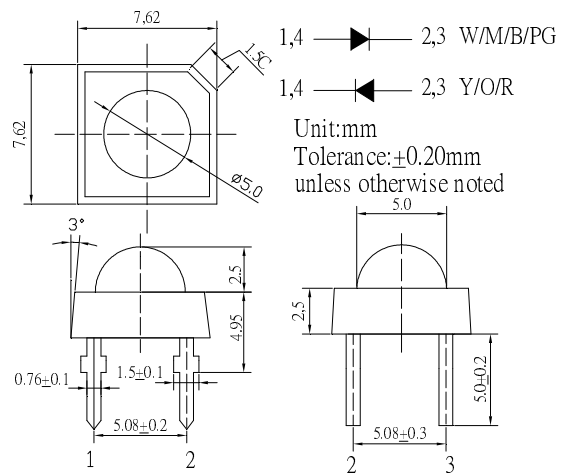
**■Features**

- High Luminous Super Flux Output
- 5 ° Standard Directivity
- Superior Weather-resistance
- UV Resistant Epoxy
- Water Clear Type

**■Applications**

- Traffic Signal
- Backlighting
- Signal and channel letter
- Other Lighting

**■Outline Dimension**

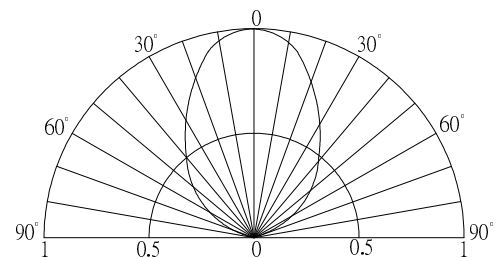


**■Absolute Maximum Rating**

(Ta=25°C)

Item	Symbol	Value		Unit
		W/M/B/PG	Y/O/R	
DC Forward Current	I <sub>F</sub>	80	80	mA
Pulse Forward Current*	I <sub>FP</sub>	120	120	mA
Reverse Voltage	V <sub>R</sub>	5	5	V
Power Dissipation	P <sub>D</sub>	288	224	mW
Operating Temperature	T <sub>opr</sub>	-30 ~ +85		°C
Storage Temperature	T <sub>stg</sub>	-40~ +100		°C
Lead Soldering Temperature	T <sub>sol</sub>	260°C/5sec		-

**■Directivity**



\*Pulse width Max.10ms Duty ratio max 1/10

**■Electrical -Optical Characteristics**

(Ta=25°C)

Part Number	Color			V <sub>F</sub> (V)			I <sub>R</sub> (μA)	Φ <sub>V</sub> (LM)			I <sub>v</sub> (mcd)			Wd(nm)/CCT(K)			2θ1/2(deg)
				Min.	Typ.	Max.	Max.	Min.	Typ.	Max.	Min.	Typ.	Max.	Min.	Typ.	Max.	Typ.
				I <sub>F</sub> =75mA			V <sub>R</sub> =5V			I <sub>F</sub> =75mA							
OSW47LZ281P	White	W		2.8	3.2	3.6	10	18	20	-	10000	12000	-	5500-8500K(X:0.31,Y:0.34)			80
OSM57LZ281P	Warm White	M	■	2.8	3.2	3.6	10	17	19	-	8400	10000	-	2700-3200K(X:0.44,Y:0.41)			80
OSB56LZ281P	Blue	BL	■	2.8	3.3	3.6	10	4	5	-	2180	3000	-	465	470	475	80
OSG59LZ281P	Pure Green	PG	■	2.8	3.3	3.6	10	18	20	-	10000	12000	-	520	525	530	80
OS6YKAZ281P	Amber	Y	■	2.0	2.4	2.8	10	8	10	-	4200	5800	-	590	595	600	80
OS5OKAZ281P	Orange	O	■	2.0	2.4	2.8	10	8	10	-	4200	5800	-	600	605	610	80
OS5RKAZ281P	Red	R	■	2.0	2.4	2.8	10	8	10	-	4200	5800	-	620	625	630	80

- \*1 Tolerance of measurements of chromaticity coordinate is ±10%
- \*2 Tolerance of measurements of color temperature is ±10%
- \*3 Tolerance of measurements of dominant wavelength is ±1nm
- \*4 Tolerance of measurements of luminous flux is ±15%
- \*5 Tolerance of measurements of forward voltage is ±0.1V