

Verbatim LED Cardanic Spotlight 45W 4000K 4700lm 45D White

- Luminous efficacy of $\geq 100\text{lm/W}$
- 40.000 hours lifetime
- 4000K neutral white light
- 45° beam angle
- Flexibility with 350° rotation 20° tilting angle
- Passing 850°C glow wire test
- Flicker free
- Driver included

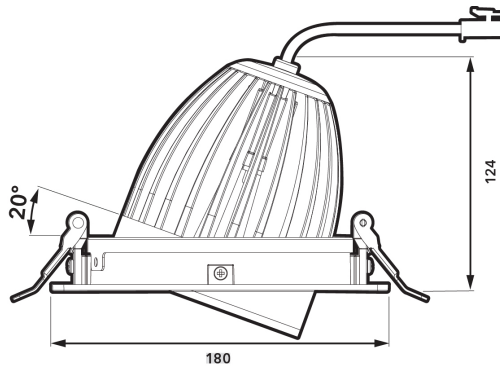
Product Number	52277
General Data	
Installation Type	Recessed
Housing material	Aluminium
Housing colour	white
Protection class	IP20
Dimmable	no
Geometric Data	
Length (mm)	124
Outer diameter (mm)	180
Inner diameter (mm)	165
Weight (g)	1130
Electric Data	
Wattage (W)	45
Voltage (V)	220-240
Current (mA)	195
Power Factor	0,95
Operating Frequency (Hz)	50-60
Safety Class	Class II
Power supply	External
Photometric Data	
Luminous Flux (lm)	4700
CRI	80
CCT (K)	4000
Luminous Efficacy (lm/W)	104
Luminous Intensity (cd)	9700
Beam Angle (°)	45
Tilting Angle (°)	20
Lifespan	
Lifetime (hrs)	40.000
Switching Cycle	100,000
Mechanical Parameters	
Glow wire test	850°C



Product image



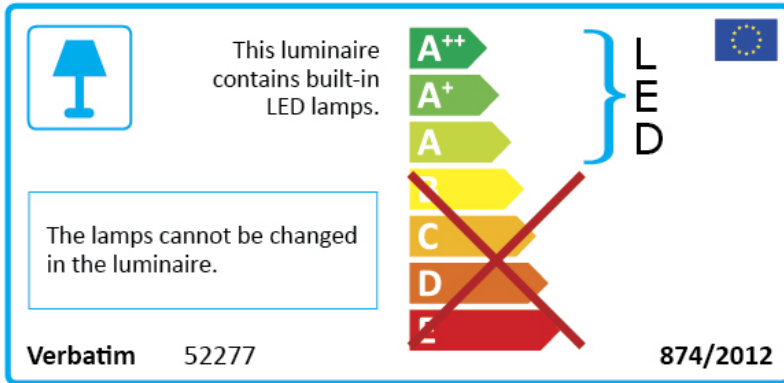
Technical drawing



Application image



Energy Rating



This luminaire contains built-in LED lamps.

The lamps cannot be changed in the luminaire.

Verbatim 52277 874/2012

The label features a vertical energy scale from A++ (green) to E (red). A blue bracket on the right side of the scale is labeled 'LED', indicating that the luminaire's energy efficiency is equivalent to an LED lamp. The ratings B, C, D, and E are crossed out with a red 'X'.

Technical Packaging Details

Barcode	023942522775
EAN 128	(02)00023942522775(37)01(91)147
EAN 14	50023942522770
Pack Dimensions(HxWxL)	20x20x15.5 cm (mm)
MOQ	1
Cartons/Pallet	90
Layers/Pallet	6
Units/Pallet	90

