

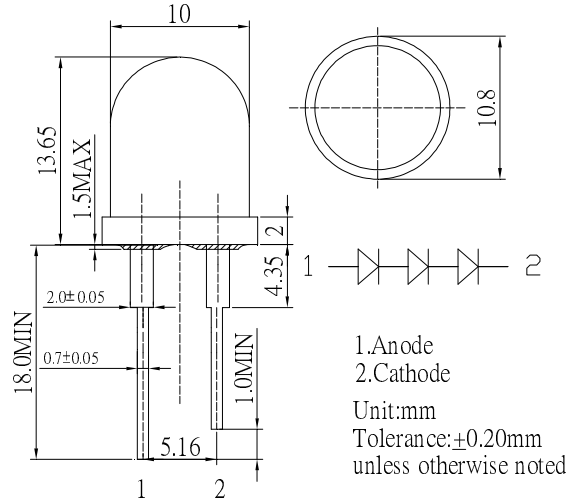
■ **Features**

- High Luminous LEDs
- 10mm Round Standard Directivity
- Superior Weather-resistance
- UV Resistant Epoxy
- Water Clear Type

■ **Applications**

- Electronic Signs And Signals
- Small Area Illuminations
- Back Lighting
- Other Lighting

■ **Outline Dimension**



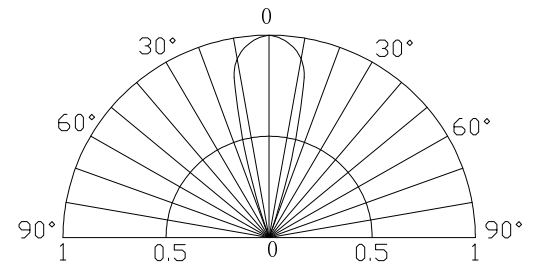
■ **Absolute Maximum Rating**

(Ta=25°C)

Item	Symbol	Value		Unit
		W/M/B/G	Y/O/R	
DC Forward Current	I <sub>F</sub>	45	50	mA
Pulse Forward Current*	I <sub>FP</sub>	80	90	mA
Reverse Voltage	V <sub>R</sub>	15	15	V
Power Dissipation	P <sub>D</sub>	486	390	mW
Operating Temperature	Topr	-30 ~ +85		°C
Storage Temperature	Tstg	-40 ~ +100		°C
Lead Soldering Temperature	Tsol	260°C/5sec		-

\*Pulse width Max 10ms , Duty ratio max 1/10

■ **Directivity**



■ **Electrical -Optical Characteristics**

(Ta=25°C)

Part Number	Color		V <sub>F</sub> (V)			I <sub>R</sub> (μA)	Φ v(lm)*			λD(nm)*			2θ1/2(deg)
			Min.	Typ.	Max.	Max.	Min.	Typ.	Max.	Min.	Typ.	Max.	Typ.
			I <sub>F</sub> =40mA			V <sub>R</sub> =15V	I <sub>F</sub> =40mA						
OS4WM3A131U	Pure White	W	8.4	9.3	10.8	10	45	55	-	CCT:5500-8000K			30
OS5WM3A131U	Cool White	W	8.4	9.3	10.8	10	40	50	-	CCT:8000-17000K			30
OS5MM3A131U	Warm White	M	8.4	9.3	10.8	10	40	50	-	CCT:2500-3500K			30
OS4BM3A131U	Blue	B	8.4	9.3	10.8	10	8	12	-	455	460	465	30
OSG583A131U	Pure Green	G	8.4	9.3	10.8	10	28	35	-	520	525	530	30
OS5YE3A131U	Yellow	Y	5.7	6.6	7.8	10	15	20	-	585	590	595	30
OS5OG3A131U	Orange	O	5.7	6.6	7.8	10	28	35	-	600	605	610	30
OS5RE3A131U	Red	R	5.7	6.6	7.8	10	15	20	-	620	625	630	30

\*1 Tolerance of measurements of chromaticity coordinate is ±10%

\*2 Tolerance of measurements of dominant wavelength is ±1nm

\*3 Tolerance of measurements of luminous intensity is ±15%

\*4 Tolerance of measurements of forward voltage is ±0.1V