



# YETDA INDUSTRY LTD.

## 1" SINGLE DIGIT RED LED DISPLAY

### S-10014ASK11SC

#### DESCRIPTION

- \* 1" (25.40mm) Inch Digit Height.
- \* High Bright Red Display.
- \* Black Face and White Segment Color.
- \* Common anode.

#### ABSOLUT MAXIMUM RATINGS AT Ta=25°C

Parameter		UNIT
Power Dissipation Per Seg. & Dot	50	mW
Peak Forward Current Per Seg. & Dot	120	mA
Forward current Per Seg. & Dot (Static)	20	mA
Reverse Voltage Per Seg. & Dot	5	V
Operation Temperature Range	-25°C TO +80°C	°C
Storage Temperature Range	-25°C TO +100°C	°C
Lead Soldering Temperature	260°C for 3 seconds 1.6mm(1/16 inch) from body	

#### ELECTRICAL/OPTICAL CHARACTERISTIC AT Ta=25°C

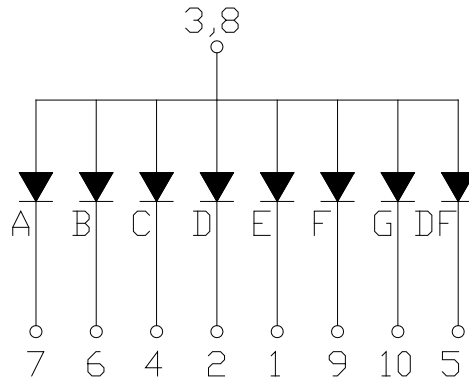
PARAMETER	SYMBOL	MIN.	TYP.	MAX.	UNIT	CONDITION
Average Luminous Intensity	Iv	7		16	mcd	If=20mA
Emission Wavelength	$\lambda d$	635		645	nm	If=20mA
Forward Voltage Per Seg. & Dot	Vf	1.8	2.0	2.5	V	If=20mA
Reverse Current Per Seg.	Ir			50	uA	Vr=5V
Luminous Intensity Matching Ratio	Iv-m	2 : 1				If=20mA



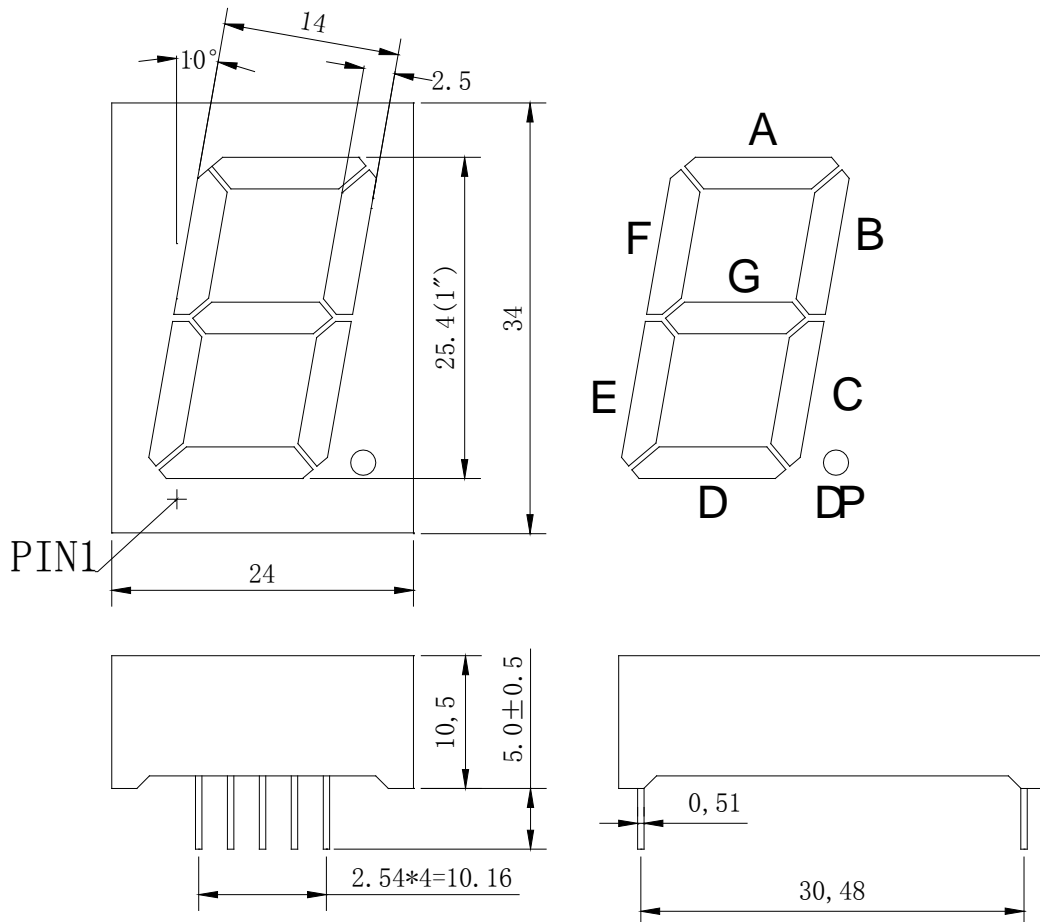
YETDA INDUSTRY LTD.

### P.C.B. Pin Connection

### CODE A



### Reflector Dimensions



Unit:mm