



# YETDA INDUSTRY LTD.

## 1.5" SINGLE DIGIT BLUE LED DISPLAY

### S-15012AB11

#### DESCRIPTION

- \* 1.5" (38.10mm) Inch Digit Height.
- \* Ultra Bright Blue Display.
- \* Black Face and White Segment Color.
- \* Common Anode.

#### ABSOLUT MAXIMUM RATINGS AT Ta=25°C

| Parameter                               |   | UNIT |
|---|---|------|
| Power Dissipation Per Seg.              | 80  | mW   |
| Power Dissipation Per Dot               | 40  |      |
| Peak Forward Current Per Seg. & Dot     | 120   | mA   |
| Forward current Per Seg. & Dot (Static) | 30  | mA   |
| Reverse Voltage Per Seg.                | 10  | V    |
| Reverse Voltage Per Dot                 | 5   |      |
| Operation Temperature Range             | -25°C TO +80°C                                  | °C   |
| Storage Temperature Range               | -25°C TO +100°C                                 | °C   |
| Lead Soldering Temperature              | 260 for 3 seconds<br>1.6mm(1/16 inch) from body |      |

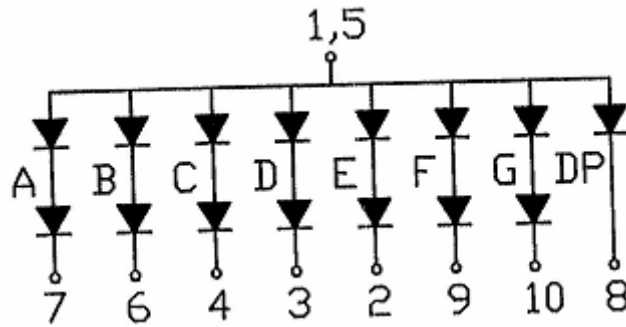
#### ELECTRICAL/OPTOTICAL CHARACTERISTIC AT Ta=25°C

| PARAMETER                         | SYMBOL | MIN. | TYP.  | MAX. | UNIT | CONDITION |
|-----------------------------------|--------|------|-------|------|------|-----------|
| Average Luminous Intensity        | Iv     | 35   | 45    |      | mcd  | If=20mA   |
| Emission Wavelength               | d      |      | 470   |      | nm   | If=20mA   |
| Forward Voltage Per Seg.          | Vf     |      | 6.4   | 7.6  | V    | If=20mA   |
| Forward Voltage Per Dot           |        |      | 3.2   | 3.8  |      |           |
| Reverse Current Per Seg.          | Ir     |      |       | 10   | uA   | Vr=5V     |
| Luminous Intensity Matching Ratio | Iv-m   |      | 2 : 1 |      |      | If=20mA   |

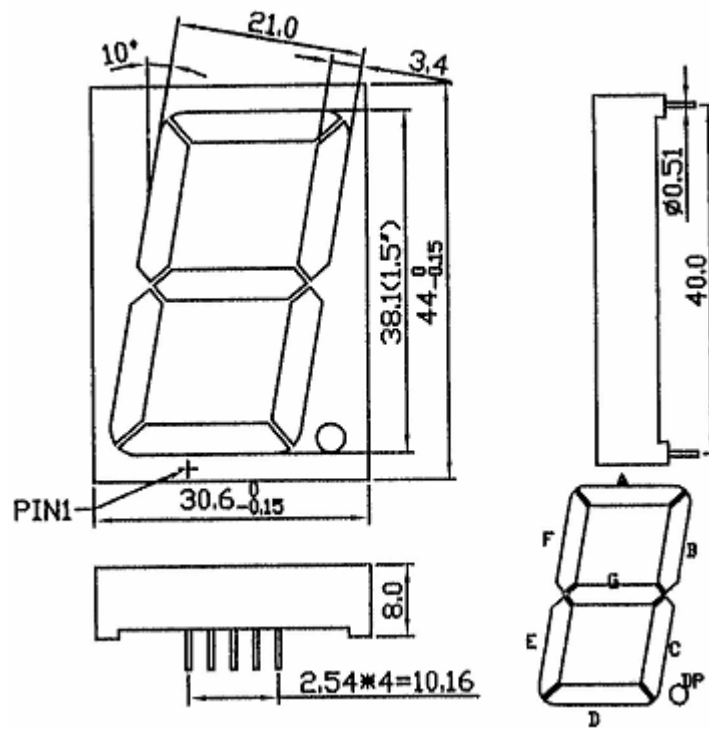


# YETDA INDUSTRY LTD.

## P.C.B. Pin Connection



## Reflector Dimensions



Unit:mm