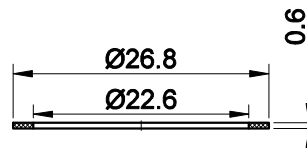


PANEL CUTOUT
MAX.PANEL THICKNESS
6 mm



Seal Ring

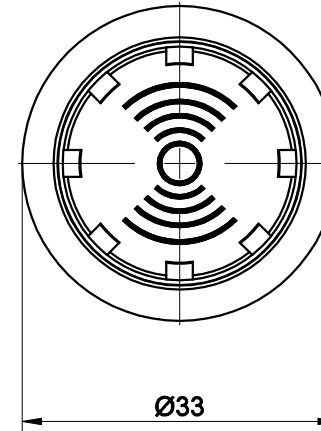
SPECIFICATIONS:

1. Operating Temperature: -25°C ~ +55°C.
2. Relative air humidity: ≤98%.
3. Height above sea level: ≤2000m.
4. Vibration strength: 50Hz, amplitude about 1.2mm.
5. Rated Operating Current: ≤30mA.
6. IP Class: IP40.
7. Sound intensity: ≥85dB(0.1m)/≥75dB(1m).

MATERIALS:

1. Head: Al alloy/PC.
2. Body: PA.
3. Base: PA.

FOR 客户名称	APPROVED 客户确认签字	ATTN 销售负责人



Part Number: AD16-22GQ ■/△/▲

"■"	Design code	"△"	Lamp Color	"▲"	Lamp voltage
M	Buzzer	R	Red	12V	AC/DC 12V
JM	Intermittent buzzer	G	Green	24V	AC/DC 24V
SM	Filcker buzzer	Y	Yellow	36V	AC/DC 36V
SSM	Duble Filcker buzzer	B	Blue	48V	AC/DC 48V
		W	White	110V	AC 110V
				220V	AC 220V
				380V	AC 380V
Other voltage can be made to order					

BRAND 品牌 ONPOW	红波按钮制造有限公司 ONPOW PUSH BUTTON MANUFACTURE CO.,LTD.				
	USED 用途		APPD 审核		CH 2019/11/29
THESE DRAWINGS AND SPECIFICATIONS ARE THE PROPERTY OF ONPOW PUSH BUTTON MANUFACTURE CO.,LTD. AND SHALL NOT BE REPRODUCED COPIED OR USED IN ANY MANNER WITHOUT THE PRIOR WRITTEN CONSENT OF ONPOW PUSH BUTTON MANUFACTURE CO.,LTD.		FINISH 处理		CHKD 校对 NCH 2019/11/29	
SCALE 比例 1.2 : 1		UNIT 单位 mm		DR. 制图 ZPD 2019/11/29	
DIMENSIONS		TOLERANCE		TITLE 名称	
0.00 TO 18.00mm		±0.43mm		AD16 Series Buzzer	
18.01 TO 30.00mm		±0.52mm		DWG NO. 图号	
30.01 TO 50.00mm		±0.62mm		AD16-22GQ蜂鸣器	
50.01 TO 80.00mm		±0.74mm		FILE NAME 档案名称	
		AD16-22GQ蜂鸣器.DWG		SHEET 张	
				1 / 1	
				REV. 更改	
				1	