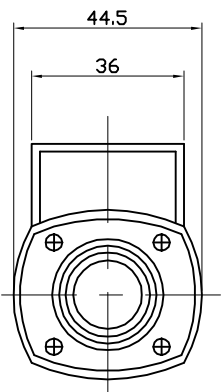
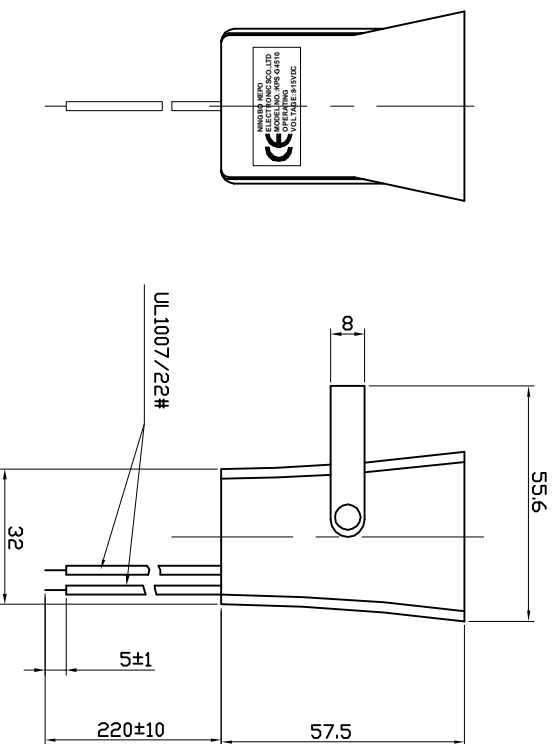


Specification

(Test Condition, 25 °C)

1. Housing Material/ Color ABS /Black
2. Power Rating RMS 10 W
3. Power Rating Peak 15 W
4. Rated Voltage 12 VDC
5. Range Voltage 8-15 VDC
6. S.P.L. min. 100 dB(at 1 meter, 12VDC)
7. Current Draw 200 mA Max. (at 12 VDC)
8. Load Test 8 Hours (at 12 VDC)
9. Heat Test 8 Hours (at 65 °C)
10. Operating Temperature range -20 ~ +65 °C
11. Wires Connection Red +12V
Black GND
12. Weight 65±5 g



Compliance with ROHS		KEPO NINGBO KEPO ELECTRONIC CO.,LTD http://www.chinaacoustic.com	
Electronic Siren		KPS-G4510	
KPS-840.407R		SHEET 11	
UNIT	mm	SCALE	NOT TO SCALE
DATE	06.08.23	APPROVED	
DATE		CHECKED	
DATE		DRAWN	
DATE		APPROVALS	
DESCRIPTION			
NO. 1 DRAWN: X CHECKED: X APPROVED: X DATE: X UNIT: mm SCALE: NOT TO SCALE SHEET: 11			