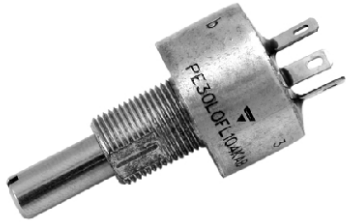


Fully Sealed Potentiometer Professional Grade



FEATURES

- High power rating 3 W at 70 °C
- Low temperature coefficient (150 ppm/°C typical)
- Cermet element
- Full sealing
- Use of faston 2.86 connections
- Tests according to CECC 41000 or IEC 60393-1
- Wires and connectors available
- Custom design on request
- Center detent option
- Material categorization: for definitions of compliance please see www.vishay.com/doc?99912

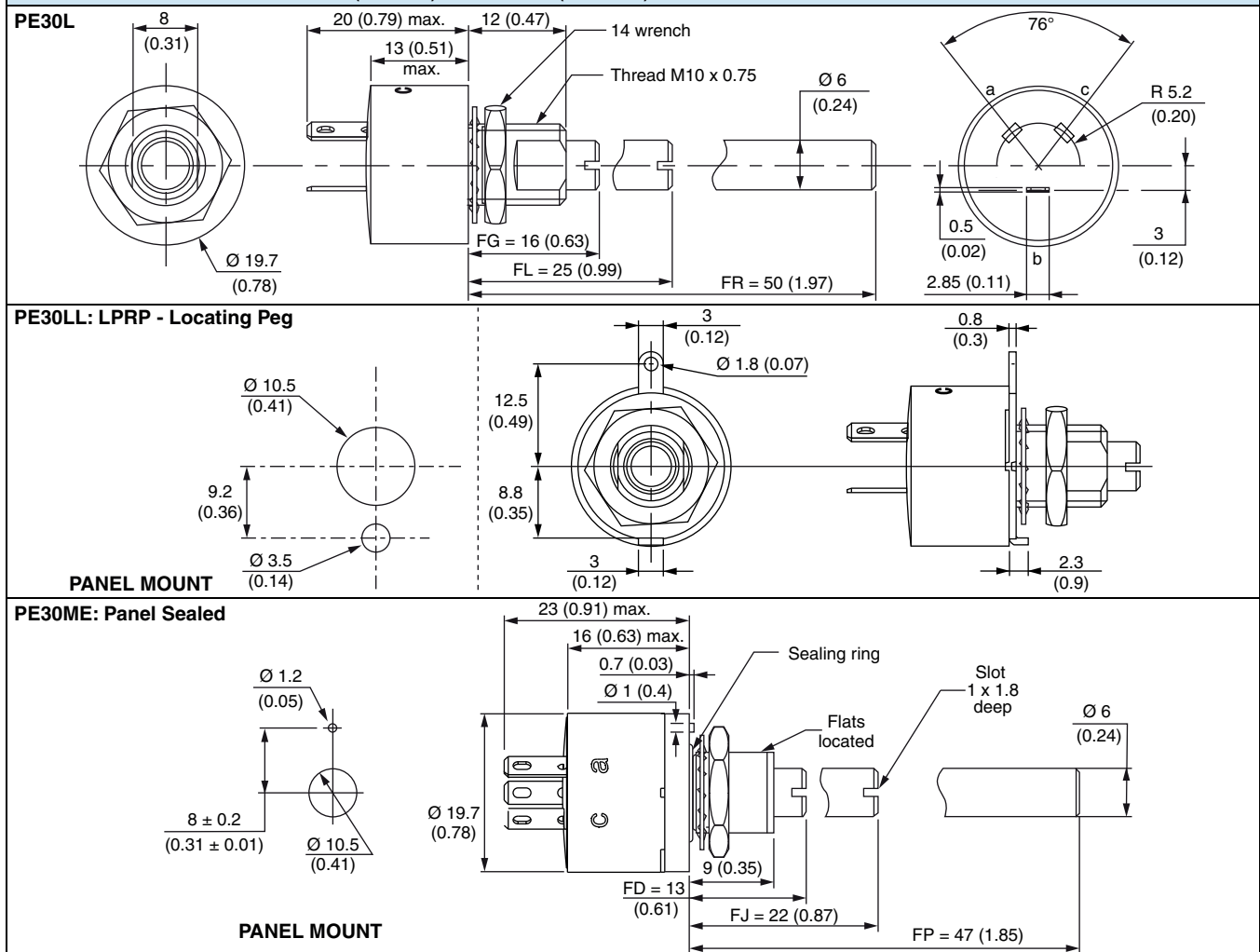

RoHS
COMPLIANT

DESIGN SUPPORT TOOLS

[click logo to get started](#)
3D
Models
Available

| QUICK REFERENCE DATA | |
|-------------------------|---|
| Multiple module | No |
| Switch module | n/a |
| Detent module | Yes |
| Special electrical laws | A: linear, L: logarithmic, F: reverse logarithmic |
| Sealing level | IP 67 |
| Lifespan | 25K cycles |

DIMENSIONS in millimeters (inches) ± 0.5 mm (± 0.02")



| ELECTRICAL SPECIFICATIONS | | |
|--|-----------------------------------|--|
| Resistive element | | Cermet |
| Electrical travel | | 270° ± 10° |
| Resistance range | linear taper logarithmic taper | 22 Ω to 10 MΩ 100 Ω to 2.2 MΩ |
| Standard series E3 | | 1 - 2.2 - 4.7 and on request 1 - 2 - 5 |
| Tolerance | standard on request | ± 20 % ± 10 % to ± 5 % |
| Taper | | |
| Power rating | linear logarithmic | 3 W at 70 °C 1.5 W at 70 °C |
| Circuit diagram | | |
| Temperature coefficient (typical) | | ± 150 ppm/°C |
| Limiting element voltage | | 300 V |
| Contact resistance variation (typical) | | 3 % R _n or 3 Ω |
| End resistance (typical) | | 1 Ω |
| Dielectric strength (RMS) | | 2500 V |
| Insulation resistance (300 V _{DC}) | | 10 ⁵ MΩ |
| Independent linearity (typical) | | ± 5 % |

| STANDARD RESISTANCE ELEMENT DATA | | | | | | |
|----------------------------------|---------------------|----------------------|-------------------------|---------------------|----------------------|-------------------------|
| STANDARD RESISTANCE VALUES | LINEAR TAPER | | | LOGS TAPER | | |
| | MAX. POWER AT 70 °C | MAX. WORKING VOLTAGE | MAX. CUR. THROUGH WIPER | MAX. POWER AT 70 °C | MAX. WORKING VOLTAGE | MAX. CUR. THROUGH WIPER |
| Ω | W | V | mA | W | V | mA |
| 22 | 3 | 8.1 | 369 | | | |
| 47 | 3 | 11.9 | 252 | | | |
| 100 | 3 | 17.3 | 173 | | | |
| 220 | 3 | 25.7 | 116 | 1.5 | 12.2 | 122 |
| 470 | 3 | 37.5 | 79 | 1.5 | 18.2 | 82.6 |
| 1K | 3 | 54.8 | 54 | 1.5 | 26.6 | 56.6 |
| 2.2K | 3 | 81.2 | 37 | 1.5 | 38.7 | 38.7 |
| 4.7K | 3 | 119.9 | 25 | 1.5 | 57.4 | 26.1 |
| 10K | 3 | 173 | 17 | 1.5 | 83.9 | 17.9 |
| 22K | 3 | 257.7 | 11 | 1.5 | 122 | 12.2 |
| 47K | 1.91 | 300 | 6.3 | 1.5 | 181.6 | 8.25 |
| 100K | 0.90 | 300 | 3 | 1.5 | 265 | 5.64 |
| 220K | 0.41 | 300 | 1.36 | 0.9 | 300 | 3 |
| 470K | 0.19 | 300 | 0.63 | 0.41 | 300 | 1.36 |
| 1M | 0.09 | 300 | 0.30 | 0.19 | 300 | 0.63 |
| 2.2M | 0.04 | 300 | 0.13 | 0.09 | 300 | 0.30 |
| 4.7M | 0.02 | 300 | 0.06 | 0.04 | 300 | 0.13 |
| 10M | 0.01 | 300 | 0.03 | | | |

| MECHANICAL SPECIFICATIONS | |
|-----------------------------------|---|
| Mechanical travel | 300° ± 5° |
| Operating torque / typical value | 3 Ncm / 4.25 oz.-inch |
| End stop torque | 120 Ncm max. / 10.51 lb oz.-inch max. |
| Tightening torque of mounting nut | 250 Ncm max. / 22 lb-inch max. |
| Unit weight | 23 g to 32 g max. / 0.8 oz. to 1.13 oz. |
| Terminals | e3: pure Sn |

| ENVIRONMENTAL SPECIFICATIONS | |
|------------------------------|-------------------------------|
| Temperature range | -55 °C to +125 °C |
| Climatic category | 55/125/56 |
| Sealing | Fully sealed - container IP67 |

| OPTIONS | |
|-------------------------------|--|
| Special feature command shaft | Length is measured from the mounting surface to the free end of the shaft. The screwdriver slot is aligned with the wiper within ± 10°. Special shafts are available, in accordance to drawings supplied by customers. We recommend that customers should not machine tool shafts, in order to avoid damage. Bending or torsion of terminals should also be avoided. |
| Panel sealing (PE30M) | The panel sealing device consists of a ring located in a groove on the potentiometer face. Sealing is obtained by tightening the ring against the panel when mounting the potentiometer. Old code: PE30P |
| Locating peg (PE30LL) | Location is obtained by fitting a special washer on the mounting face of the potentiometer. Old code: LPRP |
| Shaft locking (PE30LD) | The shaft locking device consists of a tapered nut tightening a slotted notched washer against both bushing and shaft. DBAN tightening torque is 200 Ncm, shaft locking torque being 30 Ncm. DBAN is also available with all special types. This device is normally supplied in a separate bag. Can be pre-mounted on request. |



| CENTER DETENT | |
|--|--|
| <ul style="list-style-type: none"> Stable position in mid mechanical travel Output ratio 50 % ± 10 % Rotational life: 10 000 actuations | |
| ORDERING INFORMATION (First order only) | |
| <div style="border: 1px solid black; padding: 5px; display: inline-block;">CV1M</div> | |

| MARKING |
|--|
| <ul style="list-style-type: none"> Vishay trademark Part number (including ohmic value and tolerance code) Manufacturing date code Marking of terminals 3, and a, b, c |

| PERFORMANCE | | | | |
|-------------------------|---|---------------------------|------------------------------|---|
| TESTS | CONDITIONS | TYPICAL VALUES AND DRIFTS | | |
| | | $\Delta R_T/R_T$ (%) | $\Delta R_{1-2}/R_{1-2}$ (%) | OTHER |
| Electrical endurance | 1000 h at rated power 90°/30° - ambient temp. 70 °C | ± 1 % | - | Contact res. variation: < 3 % Rn |
| Climatic sequence | Phase A dry heat 125 °C Phase B damp heat Phase C cold -55 °C Phase D damp heat 5 cycles | ± 0.5 % | ± 1 % | - |
| Damp heat, steady state | 56 days 40 °C 93 % HR | ± 0.5 % | ± 1 % | Insulation resistance: > 10 ⁴ MΩ |
| Change of temperature | 5 cycles -55 °C at +125 °C | ± 0.5 % | - | - |
| Mechanical endurance | 25 000 cycles | ± 3 % | - | Contact res. variation: < 2 % Rn |
| Shock | 50 g's at 11 ms 3 successive shocks in 3 directions | ± 0.1 % | ± 0.2 % | - |
| Vibration | 10 Hz to 55 Hz 0.75 mm or 10 g's during 6 h | ± 0.1 % | ± 0.2 % | - |

Note

- Nothing stated herein shall be construed as a guarantee of quality or durability



| ORDERING INFORMATION (part number) | | | | | | | | | |
|--|---|--|---|--|---|--|--|----------------------|---|
| <div style="display: flex; justify-content: space-around; font-weight: bold; font-size: 1.2em;"> PE30LBFG204MAB </div> | | | | | | | | | |
| MODEL | BUSHING | OPTION | SHAFT | | OHMIC VALUE | TOLERANCE | TAPER | PACKAGING | SPECIAL NUMBER |
| PE30 | L = M10 x 0.75 M = panel sealed M10 x 0.75 | 0 = none For L bushing D = DBAN L = LPRP B = DBAN and LPRP For M bushing E = peg A = peg and DBAN | For L bushing (= old codes): FG 16 mm, slotted = AC FL 25 mm, slotted = AM FR 50 mm, plain = AL For M bushing FD = 13 mm, slotted = AC FJ = 22 mm, slotted = AM FP = 47 mm, plain = AL | | A law = from 22 Ω to 10 MΩ L and F laws = from 100 Ω to 2.2 MΩ | M = ± 20 % On request: K = ± 10 % J = ± 5 % | A = linear L = clockwise logarithmic F = clockwise inverse logarithmic | B = box of 10 pieces | (if applicable) Given by Vishay for custom design or E105 CV1M |

| PART NUMBER DESCRIPTION (for information only) | | | | | | | | | | | | | |
|--|----------|--------|-------|-------|------|-------|--------|---------|--------|-----------|--------------|---------|----------------|
| PE30 | | LPRP | AC | 200K | 20 % | A | DBAN | | CV1M | BO | | | e3 |
| MODEL | FEATURES | OPTION | SHAFT | VALUE | TOL. | TAPER | OPTION | SPECIAL | DETENT | PACKAGING | CUSTOM SHAFT | SPECIAL | LEAD (Pb)-FREE |

| RELATED DOCUMENTS | |
|---|--|
| APPLICATION NOTES | |
| Potentiometers and Trimmers | www.vishay.com/doc?51001 |
| Guidelines for Vishay Sfernice Resistive and Inductive Components | www.vishay.com/doc?52029 |



Disclaimer

ALL PRODUCT, PRODUCT SPECIFICATIONS AND DATA ARE SUBJECT TO CHANGE WITHOUT NOTICE TO IMPROVE RELIABILITY, FUNCTION OR DESIGN OR OTHERWISE.

Vishay Intertechnology, Inc., its affiliates, agents, and employees, and all persons acting on its or their behalf (collectively, "Vishay"), disclaim any and all liability for any errors, inaccuracies or incompleteness contained in any datasheet or in any other disclosure relating to any product.

Vishay makes no warranty, representation or guarantee regarding the suitability of the products for any particular purpose or the continuing production of any product. To the maximum extent permitted by applicable law, Vishay disclaims (i) any and all liability arising out of the application or use of any product, (ii) any and all liability, including without limitation special, consequential or incidental damages, and (iii) any and all implied warranties, including warranties of fitness for particular purpose, non-infringement and merchantability.

Statements regarding the suitability of products for certain types of applications are based on Vishay's knowledge of typical requirements that are often placed on Vishay products in generic applications. Such statements are not binding statements about the suitability of products for a particular application. It is the customer's responsibility to validate that a particular product with the properties described in the product specification is suitable for use in a particular application. Parameters provided in datasheets and / or specifications may vary in different applications and performance may vary over time. All operating parameters, including typical parameters, must be validated for each customer application by the customer's technical experts. Product specifications do not expand or otherwise modify Vishay's terms and conditions of purchase, including but not limited to the warranty expressed therein.

Except as expressly indicated in writing, Vishay products are not designed for use in medical, life-saving, or life-sustaining applications or for any other application in which the failure of the Vishay product could result in personal injury or death. Customers using or selling Vishay products not expressly indicated for use in such applications do so at their own risk. Please contact authorized Vishay personnel to obtain written terms and conditions regarding products designed for such applications.

No license, express or implied, by estoppel or otherwise, to any intellectual property rights is granted by this document or by any conduct of Vishay. Product names and markings noted herein may be trademarks of their respective owners.