

P/N: WTL6V012

SURFACE MOUNT PACKAGE FOR TUNING FORK 32.768KHz

FEATURE

- Wide Frequency range
- Small size
- Tape & Reel
- Reflow available

APPLICATIONS

- Microprocessor Systems
- Consumer Electronics



ELECTRICAL SPECIFICATIONS

Parameter	Symb	Value	Condition
Frequency Range	F ₀	32.768Khz	
Frequency Tolerance	Δf/fo	±20PPM	REF TO 25°C
Temperature Coefficient	Δf/fo	-0.034±0.006 ppm/(°C) ²	
Turnover temperature	T _m	25±5°C	
Operating Temperature Range	T _{OPR}	-40°C to 85°C	
Storage Temperature Range	T _{STG}	-55°C to 125°C	
Quality factor		60,000TYP	
Series resistance	R ₁	65 KΩ	REF TO 25°C
Shunt Capacitance	C ₀	0.8PF TYP	0.9~2.0PF
Motional Capacitance	C ₁	1.9fFTYP	
Load Capacitance	C _L	12.5PF	
Insulator Resistance	IR	500 MΩ	DC100V±15 V
Drive Level	DL	1μW MAX	
Capacitance ratio	r	450TYP	
Aging	Δf/fo	±3PPM	at 25°C±3°C

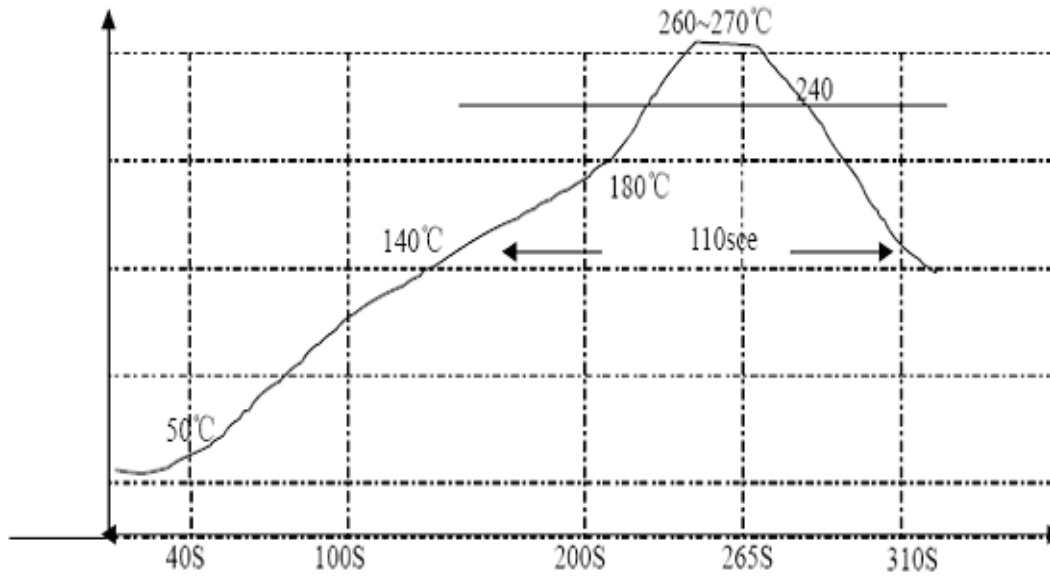
REMARK: SPECIFICATIONS SUBJECT TO CHANGE WITHOUT PRIOR NOTICE. PLEASE CONFIRM WITH OUR SALES ENGINEER.

P/N: WTL6V012

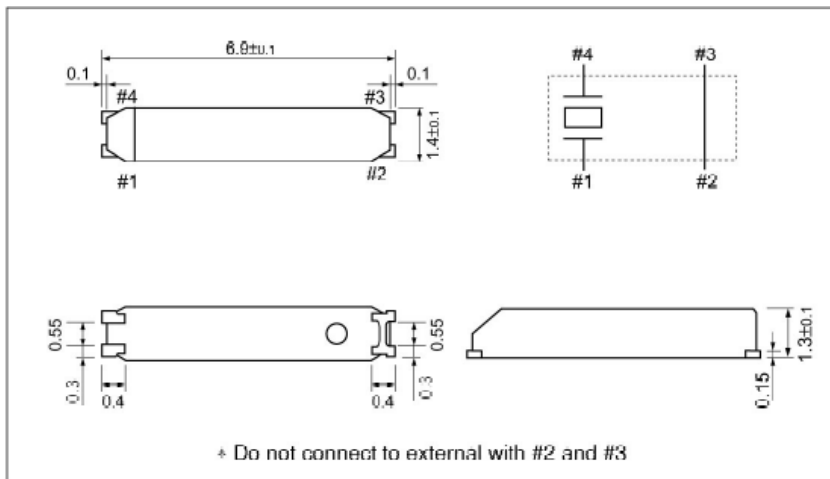
SURFACE MOUNT PACKAGE FOR TUNING FORK 32.768KHz

Re-flow condition

温度 (0°C)

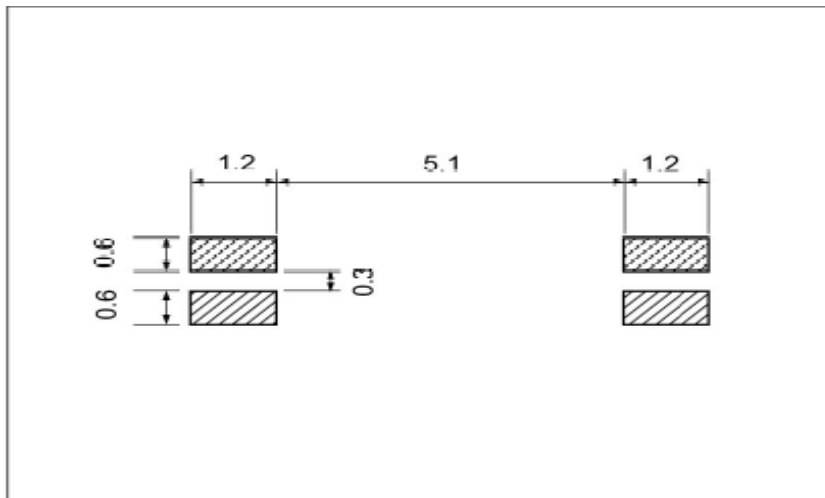


PACKING AND DIMENSIONS



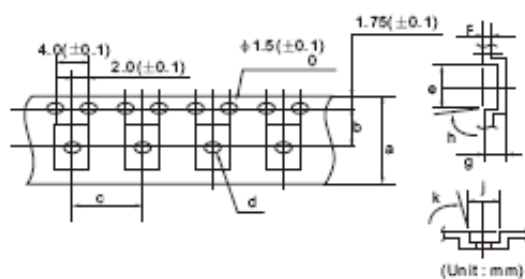
P/N: WTL6V012

SURFACE MOUNT PACKAGE FOR TUNING FORK 32.768KHz

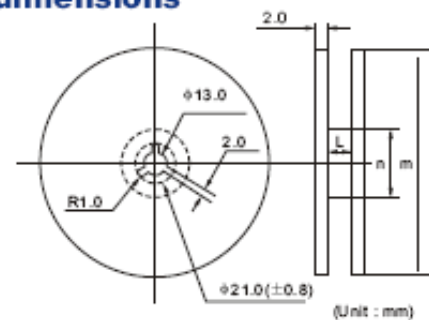


Package dimension

Taping dimensions



Reel dimensions



Model Region	Quantity (pcs / reel)	a	b	c	d (φ)	e	f	h (Max.)	j	k (Max.)	L	m (φ)	n (φ)
WTL6V012	3,000	16.0	7.5	8.0	1.0	7.2	1.7	5°	1.7	5°	17.5	300	100