

Tuning Fork Crystal Resonators

DT-38, DT-381, DT-26, DT-261



Tuning fork crystal resonators are low power-consumption resonators used for clock functions in a wide variety of applications from industrial equipment to consumer/household products, including wrist-watches.

■ Features

- Automatic mounting with tape & reel form is possible.

■ Generic Specification

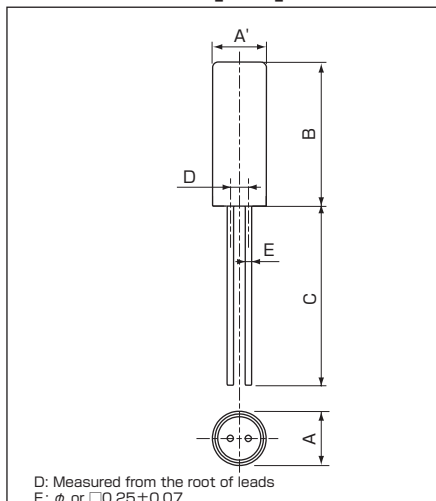
Item	Type	DT-38	DT-381	DT-26	DT-261
Frequency Range		32.768kHz	15~150kHz	32.768kHz	28~80kHz
Vibration Mode		Fundamental			
Load Capacitance		12.5pF ※1			
Drive Level		1.0±0.2μW			
Frequency Tolerance		GRADE A±20×10 ⁻⁶ (at25°C) GRADE B±30×10 ⁻⁶ (at25°C)	※2	GRADE A±20×10 ⁻⁶ (at25°C) GRADE B±30×10 ⁻⁶ (at25°C)	※2
Series Resistance		30kΩmax.	※2	40kΩmax.	※2
Q Factor		80,000 Typ. 50,000 min.	※2	70,000 Typ. 40,000 min.	※2
Parabolic Temperature		+25°C±5°C	※2	+25°C±5°C	※2
Two Dimensional Temperature Constant		-0.036±0.006×10 ⁻⁶ /°C ²			
Operating Temperature Range		-10~+60°C			
Storage Temperature Range		-20~+70°C			
Shunt Capacitance		1.3pF Typ.	※2	1.1pF Typ.	※2

※1: Other capacitance value is available upon your request. ※2: Per individual specification.

■ Dimensions[mm]

Type	A'	A	B	C	D	E
DT-38, DT-381	φ3.0	φ3.0 ^{+0.1} _{-0.2}	8.0 ^{+0.3} _{-0.2}	10.0±1.0	1.1±0.2	φ0.35±0.07
DT-26, DT-261	φ2.0	φ2.0 ^{+0.1} _{-0.2}	6.0 ^{+0.1} _{-0.2}	7.5±1.0	0.7±0.2	φ0.28±0.05

■ Dimensions[mm]



■ Load Capacitance Characteristics (Typical examples)

