

WTL5S10854

SEAM SEALED CERAMIC 5 X 3.2mm SMD



FEATURE

- Ultra thin, thickness 1.0mm
- Leadless type
- High precision characteristic covering up to high frequency range
- Automatic mounting
- Embossed taping specification
- Suitable for Reflow soldering



APPLICATIONS

- Ideally suited designed for disc drives, NB, PCs and hand-held electronic products

ELECTRICAL SPECIFICATIONS

Output Frequency Range	12.000MHz
Mode	Fundamental
Frequency Tolerance (at 25°C)	±30ppm
Frequency Stability Over Operating Temperature Characteristics	±30ppm
Storage Temperature Range	-55 °C to +125 °C
Operable Temperature Range	-10°C to + 60°C
Shunt Capacitance (C ₀)	5.0 pF Max
Driver Level (Typical)	10μW~100μW
Load Capacitance(C _L)	18pF
Equivalent Series Resistance ESR	60Ω Max
Aging @25°C 1 st year (Max)	±5ppm/year
Shock Resistance	Drop test of 3 times on 2mm stainless plate from 75cm height

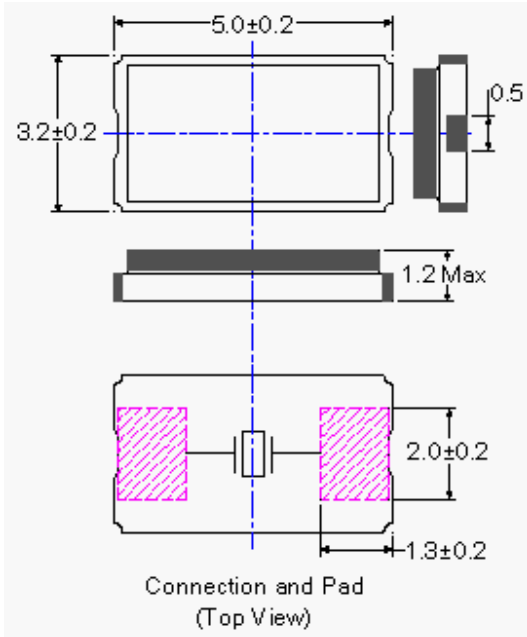
REMARK: SPECIFICATIONS SUBJECT TO CHANGE WITHOUT PRIOR NOTICE. PLEASE CONFIRM WITH OUR SALES ENGINEER.

WTL5S10854

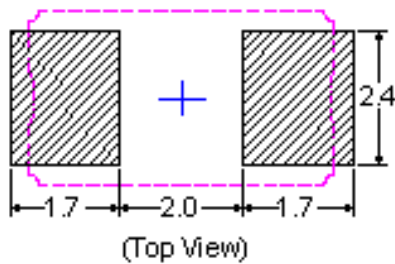
SEAM SEALED CERAMIC 5 X 3.2mm SMD



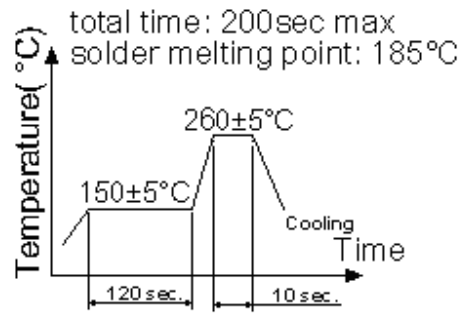
Dimension



Reference Land Pattern



Reflow Condition



PACKING

