

P/N:WTL5M10853

SEAM SEALED CERAMIC 5.0 X 3.2mm SMD



FEATURE

- Ultra thin, thickness 1.0mm
- Leadless type
- High precision characteristic covering up to high frequency range
- Automatic mounting
- Embossed taping specification
- Suitable for Reflow soldering



APPLICATIONS

- Ideally suited designed for disc drives, NB, PCs and hand-held electronic products

ELECTRICAL SPECIFICATIONS

| | |
|--|--|
| Output Frequency Range | 12.000 MHz |
| Mode | Fundamental* |
| Frequency Tolerance (at 25°C) | ±30ppm |
| Frequency Stability Over Operating Temperature Characteristics | ±30ppm |
| Storage Temperature Range | -55 °C to +125 °C |
| Operable Temperature Range | -10 °C to + 60 °C |
| Shunt Capacitance (C ₀) | 5.0 pF Max |
| Driver Level (Typical) | 100μW |
| Load Capacitance(C _L) | 18pF |
| Equivalent Series Resistance ESR | 60Ω Max |
| Aging @25°C 1 st year (Max) | ±3ppm/year |
| Shock Resistance | Drop test of 3 times on 2mm stainless plate from 75cm height |

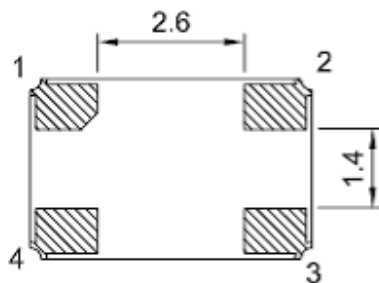
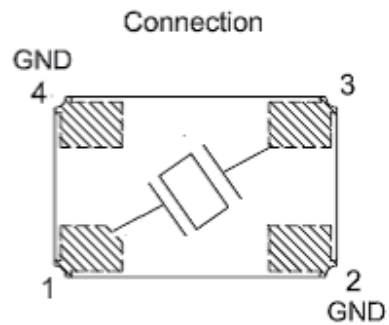
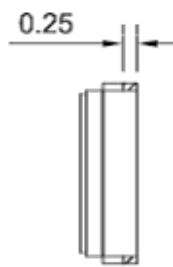
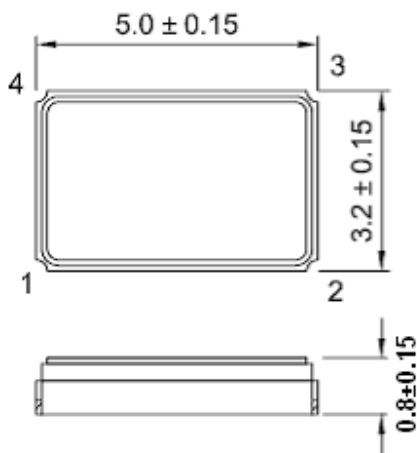
REMARK: SPECIFICATIONS SUBJECT TO CHANGE WITHOUT PRIOR NOTICE. PLEASE CONFIRM WITH OUR SALES ENGINEER.

P/N:WTL5M10853

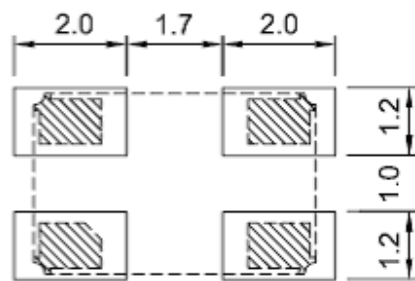
SEAM SEALED CERAMIC 5.0 X 3.2mm SMD



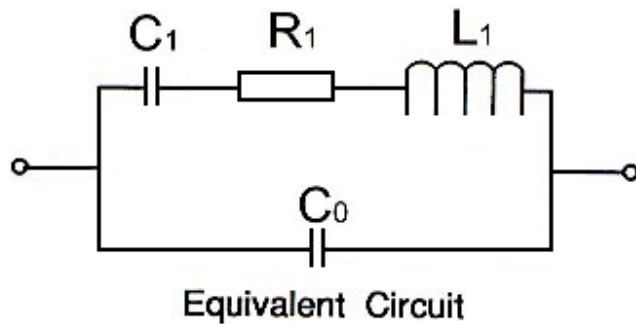
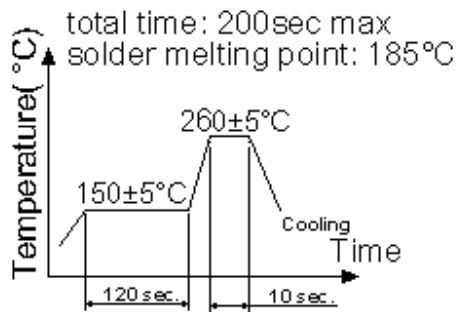
Dimension & Reflow Condition



Suggested Layout



Units:mm

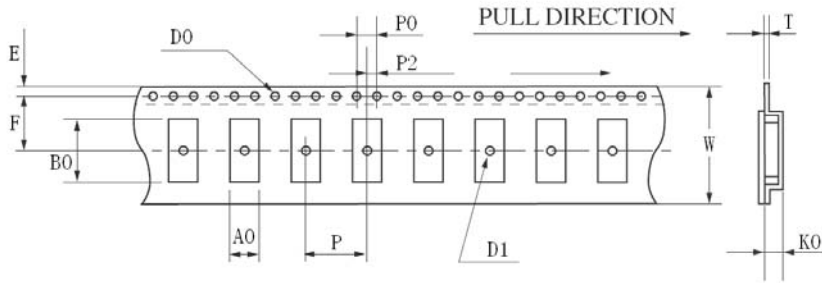


P/N:WTL5M10853

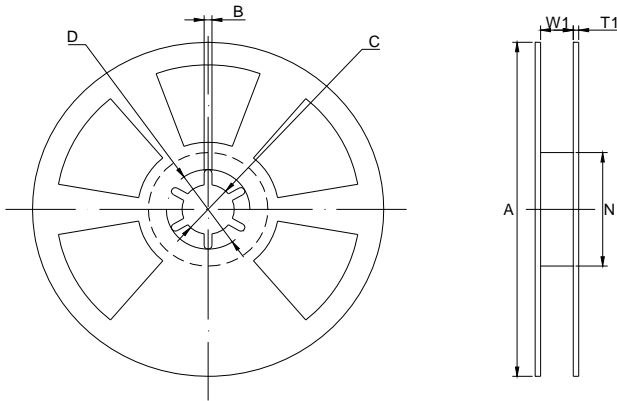
SEAM SEALED CERAMIC 5.0 X 3.2mm SMD



PACKING



| | HC-49SMD | 8045 | 7050 | 6035 | 5032 | 4025 | 3225 |
|----|-------------|-------------|-------------|-------------|-------------|-------------|-------------|
| W | 24.00±0.30 | 16.00±0.05 | 16.00±0.05 | 12.00±0.05 | 12.00±0.05 | 12.00±0.05 | 12.00±0.05 |
| E | 1.75±0.10 | 1.75±0.10 | 1.75±0.10 | 1.75±0.10 | 1.75±0.10 | 1.75±0.10 | 1.75±0.10 |
| F | 11.5±0.10 | 7.5±0.10 | 7.5±0.10 | 5.5±0.10 | 5.5±0.10 | 5.5±0.10 | 5.5±0.10 |
| T | 0.40±0.05 | 0.35±0.05 | 0.35±0.05 | 0.35±0.05 | 0.35±0.05 | 0.35±0.05 | 0.30±0.05 |
| P | 12.00±0.10 | 8.00±0.10 | 8.00±0.10 | 8.00±0.10 | 8.00±0.10 | 8.00±0.10 | 4.00±0.10 |
| P0 | 4.00±0.10 | 4.00±0.10 | 4.00±0.10 | 4.00±0.10 | 4.00±0.10 | 4.00±0.10 | 4.00±0.10 |
| P2 | 2.00±0.10 | 2.00±0.10 | 2.00±0.10 | 2.00±0.10 | 2.00±0.10 | 2.00±0.10 | 2.00±0.10 |
| D0 | φ 1.50±0.10 | φ 1.50±0.10 | φ 1.50±0.10 | φ 1.50±0.10 | φ 1.50±0.10 | φ 1.50±0.10 | φ 1.50±0.10 |
| D1 | φ 1.50MIN | φ 1.50MIN | φ 1.50MIN | φ 1.50MIN | φ 1.50MIN | φ 1.50MIN | φ 1.50MIN |
| A0 | 4.60±0.10 | 4.85±0.10 | 5.40±0.10 | 3.90±0.10 | 3.60±0.10 | 2.80±0.10 | 2.85±0.10 |
| K0 | 4.40±0.10 | 1.90±0.10 | 1.80±0.10 | 1.50±0.10 | 1.10±0.10 | 0.90±0.10 | 0.85±0.10 |
| B0 | 14.20±0.15 | 8.60±0.15 | 7.40±0.10 | 6.40±0.10 | 5.40±0.10 | 4.30±0.10 | 3.55±0.10 |



| | HC-49SMD | 8045 | 7050 | 6035 | 5032 | 4025 | 3225 |
|----|-------------|-------------|-------------|-------------|-------------|-------------|-------------|
| A | φ 330±1.0 | φ 178±2.0 | φ 178±2.0 | φ 178±2.0 | φ 178±2.0 | φ 178±2.0 | φ 178±2.0 |
| B | 2.30±0.20 | 2.00±0.50 | 2.00±0.50 | 2.00±0.50 | 2.00±0.50 | 2.00±0.50 | 2.00±0.50 |
| C | φ 13.5±0.20 | φ 13.2±0.20 | φ 13.2±0.20 | φ 13.2±0.20 | φ 13.2±0.20 | φ 13.2±0.20 | φ 13.2±0.20 |
| D | φ 21.5±0.20 | φ 20.0 min | φ 20.0 min | φ 20.0 min | φ 20.0 min | φ 20.0 min | φ 20.0 min |
| N | φ 100.0±0.5 | φ 60.5±1.0 | φ 60.5±1.0 | φ 60.5±1.0 | φ 60.5±1.0 | φ 60.5±1.0 | φ 60.5±1.0 |
| W1 | 24.5±0.20 | 16.5±0.20 | 16.5±0.20 | 12.5±0.20 | 12.5±0.20 | 12.5±0.20 | 12.5±0.20 |
| T1 | 2.30±0.20 | 1.80±0.20 | 1.80±0.20 | 1.80±0.20 | 1.80±0.20 | 1.80±0.20 | 1.80±0.20 |