



Approved by:	
Checked by :	
Issued by:	

SPECIFICATION

MODEL: GMK-HC-49S-14.187576-20-30-B-30-50-H

圣 铭 (香 港) 实 业 有 限 公 司

GREAT MARKING (HK) INDUSTRY CO., LIMITED.



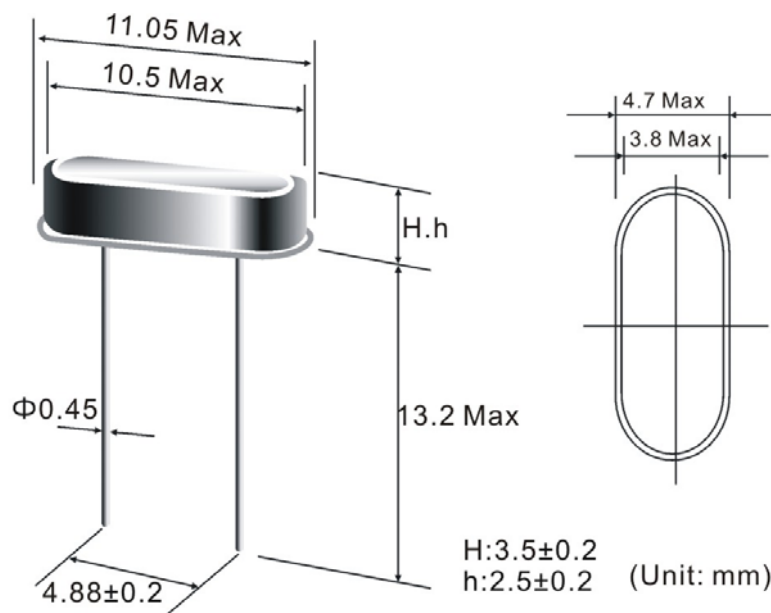
FEATURE

- Standard height 3.5mm, the part is compact at about one-fourth of the HC-49/U package
- A resistance weld completely sealed type
- Good stability and high reliability
- Copes with high density mounting and is the optimum for mass production

ELECTRICAL SPECIFICATIONS

Frequency Range	14.187576MHz
Oscillation mode	Fundamental / AT
Load capacitance	20pF
Frequency tolerance	±30ppm
Equivalent series resistance	50Ω
Operating temperature range	-20℃--+70℃
Storage temperature range	-40℃--+85℃
Frequency Stability	±30ppm
Parallel capacitance(Co)	7pF Max
Drive level	100 μW
Aging	±3ppm Max/Year
Insulation resistance	More than 500MΩ AT DC100V

DIMENSION



PART NUMBER

GMK- HC-49S-	14.187576 Freq.	20 Load capacitance	30 Freq. tolerance	B Operating temp.range A:-10-60℃ B:-20-70℃ C:-40-85℃	30 Freq. stability	50 E.S.R. max	H H: Normal (4.0mm) h: Low (3.0mm)
-----------------	--------------------	---------------------------	--------------------------	---	--------------------------	---------------------	--