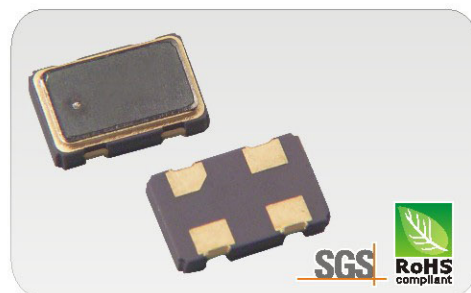


# CRYSTAL OSCILLATOR, SERIES LO7

## Seam Sealed Ceramic 7.0 x 5.0mm SMD

### ■ FEATURE

- Broad frequency range from 1.544MHz to 150MHz
- Compact and thin ceramic package with metalized for surface mounting and automatically loaded
- Reflow solder is possible
- Lower noise and current with reduced power consumption
- Built-in C-MOS IC with tri-state function
- 5V and 3.3V supply model available



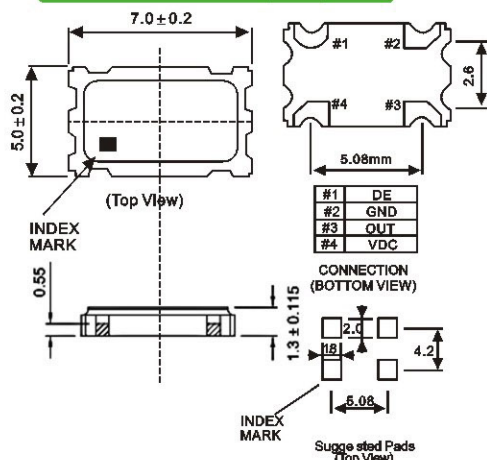
### ■ ELECTRICAL SPECIFICATIONS

Parameters	Condition/Model	LO71	LO72	LO73	LO74
Fan Out Type		TTL/CMOS	CMOS	TTL/CMOS	CMOS
Supply Voltage		5.0V	3.3V	5.0V	3.3V
Frequency Range		1.544MHz to 150MHz			
Operating Temperature		0~70°C, -20~70°C, -40~85°C			
Input Current	Frequency Range	1.544~31.999MHz 35mA max(15pF) 40mA max(50pF) 32~150MHz 45mA max(15pF) 55mA max(50pF)	1.544~31.999MHz 25mA max 32~150MHz 40mA max	1.544~31.999MHz 30mA max 32~150MHz 45mA max	1.544~31.999MHz 25mA max 32~150MHz 40mA max
Frequency Stability	All Conditions	±25, ±50, ±100ppm			
Symmetry	AT 1/2 Vdd	45/55%			
Output Voltage	VoI(max)	0.4V/0.5V	0.33V	0.5V	0.33V
	VoH(min)	2.4V/4.5V	2.97V	4.5V	2.97V
Rise/Fall Time	AT 0.1Vdd~0.9Vdd	10ns max			
Drive Ability	10 LSTTL Load			15pF	15pF
	CMOS load max	15pF/50pF	15pF		
	TTL load max	10TTL			
Start-up Time	Load RANGE	10ms max(15pF)/5ms(50pF)			
E/D Function	#1 OPEN	PIN #3 ACTIVE			
	#1 >=2.2V	PIN #3 ACTIVE			
	#1 <=0.8V	PIN #3 INACTIVE			
PAD Connection		PIN#1 E/D PIN#2 GND		PIN#3 OUT PIN#4 Vdd	

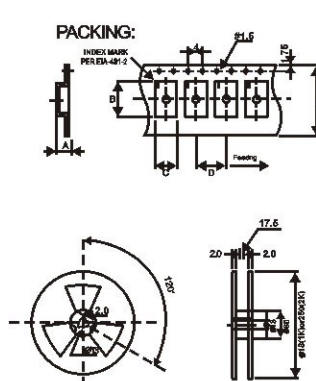
\*Please consult our sales representative for other specifications.

UNIT:mm

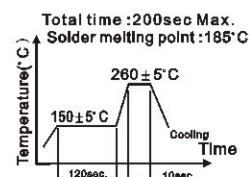
#### DIMENSION(mm)



#### PACKING SPECIFICATION(mm)



#### REFLOW CONDITION



A	B	C	D	E	Pcs/Reel
1.3	6.4	3.9	8.0	16	1000

#### REMARK:

- 1.230mm(9.05)minimum leader which consist of carrier and/or cover tape followed by a minimum of 180mm(6.3)of empty carrier tape sealed with cover tape.
- 1.180mm(6.3)minimum trailer of empty carrier tape sealed with cover tape.