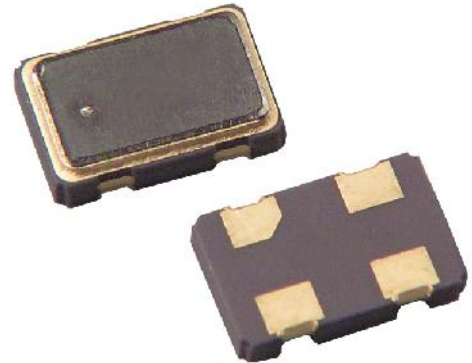


WTL P/N: WTL7L12526
SEAM SEALED CERAMIC 7.0 X 5MM SMD



FEATURE

- Broad frequency range from 1.54Mhz to 150MHz
- Compact and thin ceramic package with metalized surface mounting and automatically loaded
- Reflow solder is possible
- Lower noise and current with reduced power consumption
- Built-in C-MOS IC with tri-state function
- 5V and 3.3V supply model available



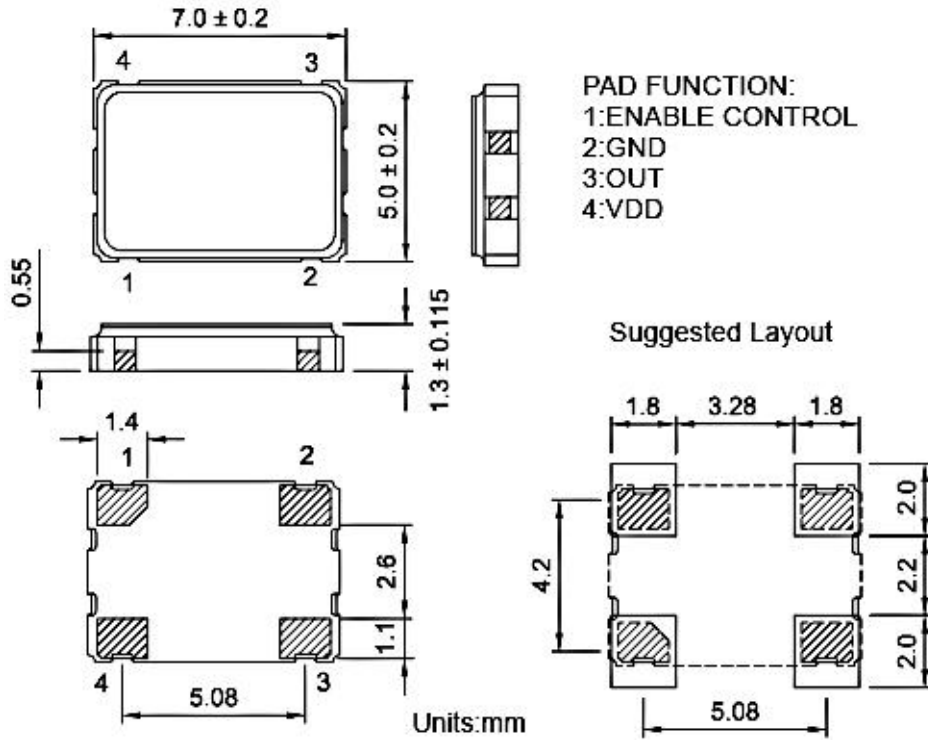
ELECTRICAL SPECIFICATIONS

| Parameters | Condition\Model | Value | |
|-----------------------|------------------|-----------------|-----------|
| Fan Out Type | | CMOS | |
| Supply Voltage | | 3.3V | |
| Frequency Range | | 65.000MHz | |
| Operating Temperature | | -20-+70 | |
| Input Current | Frequency Range | 40mA max | |
| Frequency Stability | All Conditions | ±50ppm | |
| Symmetry | AT 1/2 Vdd | 45/55% | |
| Output Voltage | VoI(max) | 0.33V | |
| | VoH(min) | 2.97V | |
| Rise/Fall Time | AT 0.1Vdd~0.9Vdd | 10ns max | |
| Driving Ability | CMOS load max | 15pF | |
| Start-up Time | Load RANGE | 10ms max(15pF) | |
| E/D Function | #1 OPEN | PIN #3 ACTIVE | |
| | #1 >=2.2V | PIN #3 ACTIVE | |
| | #1 <=0.8V | PIN #3 INACTIVE | |
| PAD Connection | | PIN#1 E/D | PIN#3 OUT |
| | | PIN#2 GND | PIN#4 Vdd |

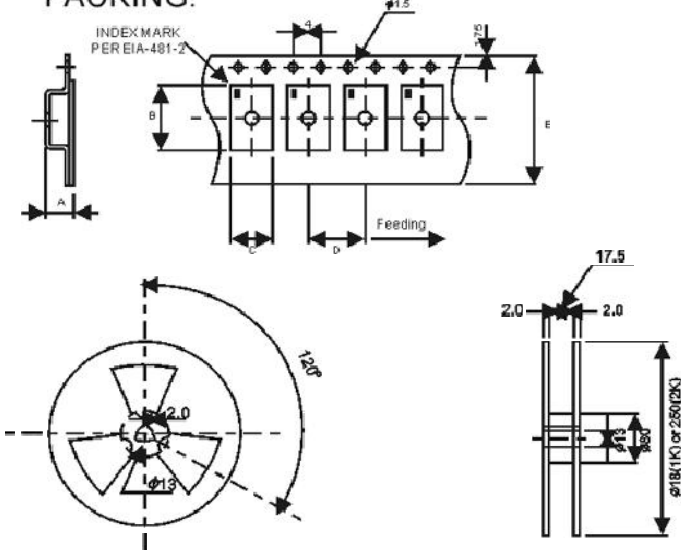
WTL P/N: WTL7L12526
SEAM SEALED CERAMIC 7.0 X 5MM SMD



MARKING AND DIMENSIONS



PACKING:



| A | B | C | D | E | Pcs/Reel |
|-----|-----|-----|-----|----|----------|
| 1.3 | 6.4 | 3.9 | 8.0 | 16 | 1K or 2K |

REMARK:

- 230 mm (9.05) minimum leader which consist of carrier and / or cover tape followed by a minimum of 160 mm (6.3) of empty carrier tape sealed with cover tape.
- 160 mm (6.3) minimum trailer of empty carrier tape sealed with cover tape.