

Features

- ★ Low insertion loss
- ★ High load Q
- ★ Superior temperature stability
- ★ High frequency stability
- ★ Few peripheral components

Applications

- ★ Wireless remote-control
- ★ Satellite program receiver
- ★ RF modulator
- ★ Security system
- ★ Consumer electronics



Specifications (Characteristics)

Item	Unit	Specification
Frequency	MHz	260~980 see Table 1
Frequency Tolerance	KHz	±75 ±150 ±250
Insertion Loss	db	< 2.0
Quality Factor		> 12000 (Unloaded) > 2000 (50Ohm)
Cw RF power dissipation	dbm	+ 0
Max DC Voltage between any two pins	V	+/- 30
Storage Temp	°C	-45 To +85
Operating Temp	°C	-45 To +85
Turnover Temp	°C	35
Turnover frequency	KHz	Fc + 1.3 (One-Port)
Frequency Temperature Coefficient	ppm/°C ²	0.037
Frequency Aging Absolute Value During the First Year	ppm/yr	<= 10
DC Insulation Resistance between any two Pins	MΩ	1.0
Package		TO-39, F11

Part Number

Part no.	Centre Frequency (MHz)	Part no.	Centre Frequency (MHz)
SR 260	260	SR 407.3	407.3
SR 300	300	SR 418	418
SR 303.825	303.825	SR 420	420
SR 303.875	303.875	SR 441	441
SR 304.3	304.3	SR 423.22	423.22
SR 310	310	SR 430.5	430.5
SR 311	311	SR 430.65	460.65
SR 314.5	314.5	SR 433.42	433.42
SR 315	315	SR 433.92	433.92
SR 316.8	316.8	SR 435.72	435.72
SR 318	318	SR 479.5	479.5
SR 330	330	SR 674	674
SR 340	340	SR 790	790
SR 345	345	SR 852	852
SR 350	350	SR 902.3	902.3
SR 351	351	SR 907	907
SR 360	360	SR 912	912
SR 390	390	SR 915	915
SR 395	395	SR 916.5	916.5
SR 395.5	395.5	SR 925	925
SR 403.55	403.55	SR 980	980

Ordering Code

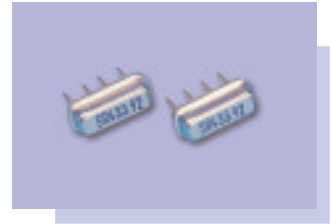
Ordering Code	Part Number + Frequency Tolerance + Package
Example	SR 433.92 - 75 - TO39 or
	SR 418.00 - 75 - F11

Features

- ★ Low insertion loss
- ★ High load Q
- ★ Superior temperature stability
- ★ High frequency stability
- ★ Few peripheral components

Applications

- ★ Wireless remote-control
- ★ Satellite program receiver
- ★ RF modulator
- ★ Security system
- ★ Consumer electronics



Specifications (Characteristics)

Item	Unit	Specification
Frequency	MHz	300~1030 (Phase Shift 180°) 669.5 800 915 (Phase Shift 0°) see table 1
Frequency Tolerance	KHz	±75 ±150 ±250
Insertion Loss	db	< 6.0
Quality Factor		> 13000 (Unloaded) > 6000 (50Ohm)
Cw RF power dissipation	dbm	+ 0
Max DC Voltage between any two pins	V	+/- 30
Operating Temp	°C	-10 To + 60
Storage Temp	°C	- 45 To + 85
Turnover Temp	°C	35
Turnover frequency	KHz	Fc + 21
Frequency Temperature Coefficient	ppm/°C ²	0.037
Frequency Aging Absolute Value During the First year	ppm/yr	<=10
Package	MΩ	TO-39, F11

Part Number

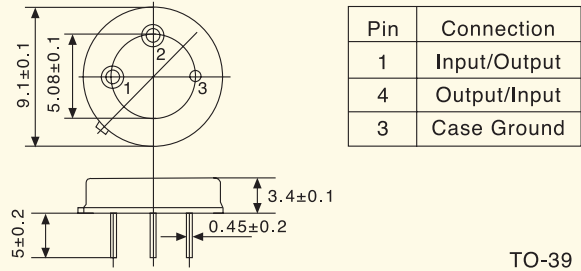
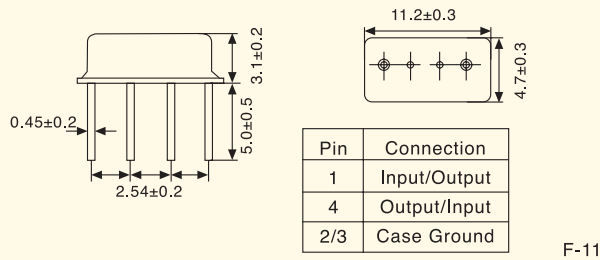
Phase Shift : 180°			
Part no.	Centre Frequency (MHz)	Part no.	Centre Frequency (MHz)
SRT 300	300	SRT 852	852
SRT 384.05	384.05	SRT 868	868
SRT 387	387	SRT 902.3	902.3
SRT 403.55	403.55	SRT 907	907
SRT 418	418	SRT 912	912
SRT 423.22	423.22	SRT 915	915
SRT 433.92	433.92	SRT 916.5	916.5
SRT 674	674	SRT 925	925
SRT 790	790	SRT 950	950
SRT 824.25	824.25	SRT1030	1030
SRT 852	852		

Phase Shift : 0°	
Part no.	Centre Frequency (MHz)
SRT 669.5	669.5
SRT 800	800
SRT 915	915

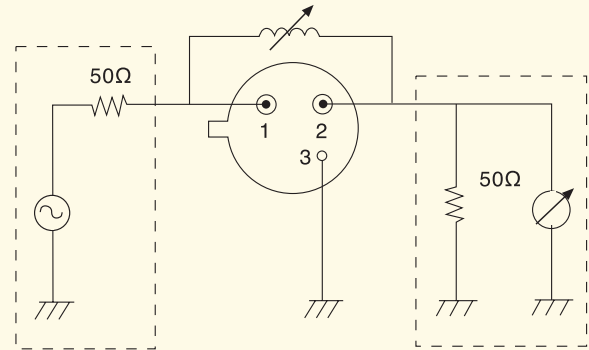
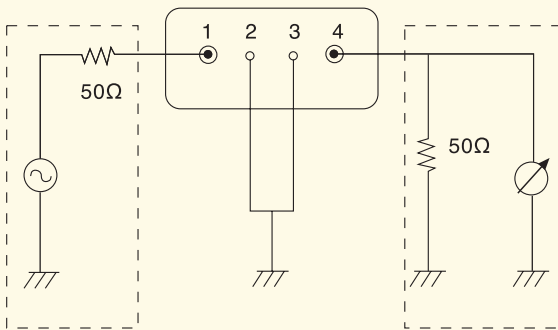
Ordering Code

Ordering Code	Part Number + Frequency Tolerance + Package
Example	SRT 433.92 - 75 - F11 or SRT 387.00 - 75 - TO39

Dimension (Unit : mm)

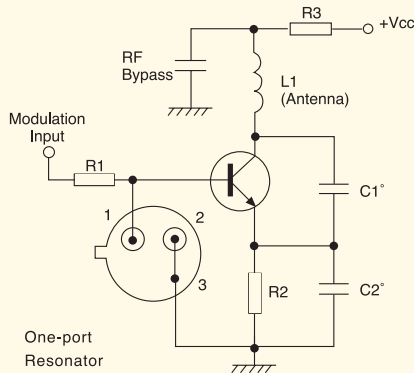


Test Circuit

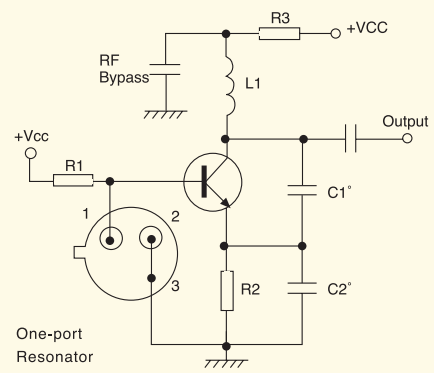


Application Circuit (Typical example TO-39)

Low-Power Transmitter Application (TO-39 One Port)



Local Oscillator Application (TO-39 One Port)



Characteristics (Frequency Response of 433.92 MHz and Temperature)

