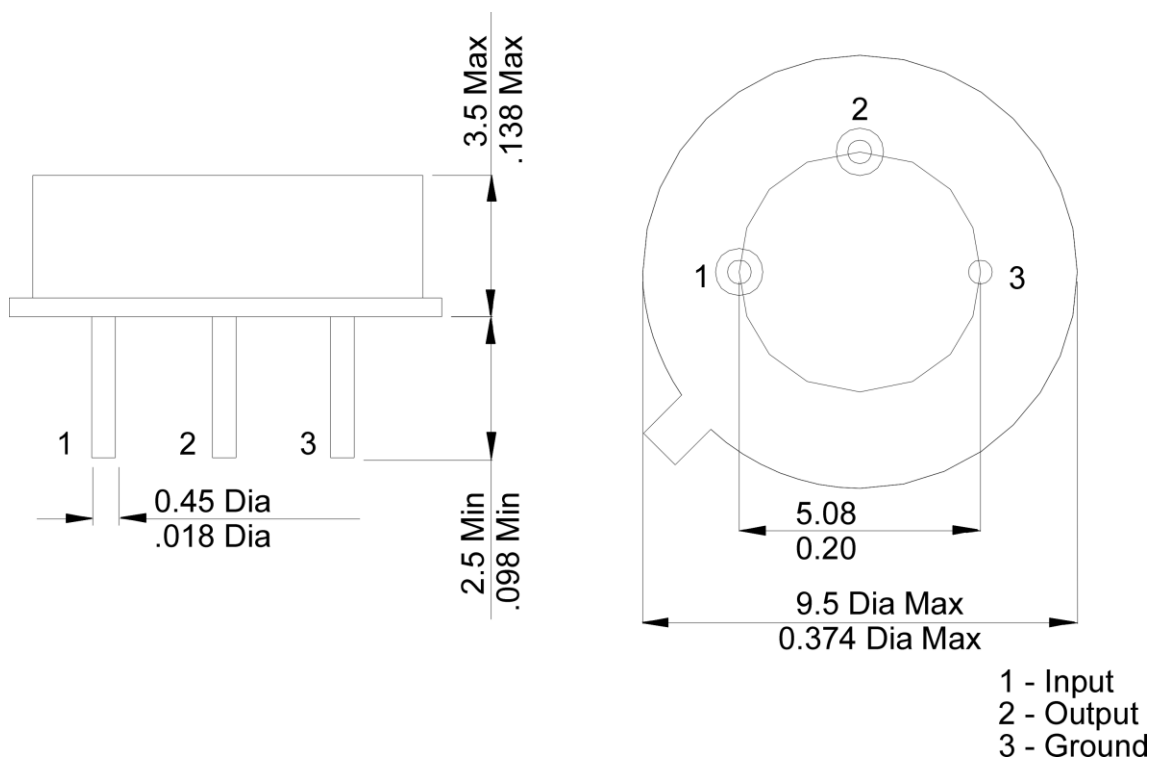


● SPECIFICATIONS

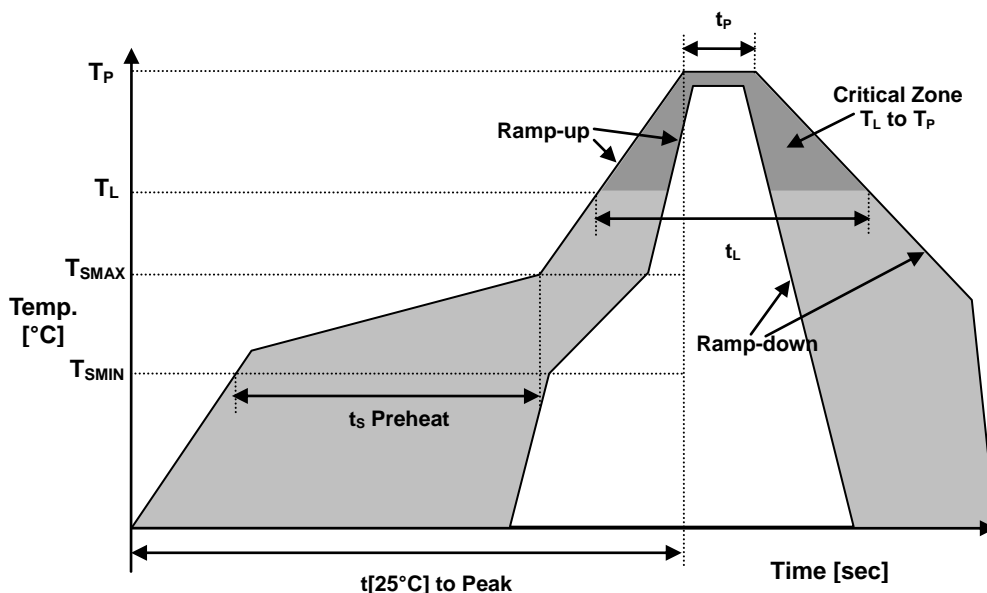
Items	Specification	Unit
Center frequency (fo)	433.920 ±0.075	MHz
Insertion Loss, Max	2.5	dB
Quality Factor Unloaded, Typ	12,800	-
Quality Factor 50 Ω Loaded, Typ	2,000	-
Turnover Temperature, Typ	35	°C
Frequency Temperature Coefficient, Typ	-0.032	ppm/°C ²
Frequency Aging	< ±10	ppm/year
Insulation Resistance (DC), min	1.0	MΩ
Motional Resistance (R _M), Typ	18	Ω
Motional Inductance (L _M), Typ	86	μH
Motional Capacitance (C _M), Typ	1.5	fF
Shunt Static Capacitance (C ₀), Typ	2.0	pF
DC Voltage, Max	10	V
Source Power, Max	0	dBm
Operating Temperature Range	-40 to +85	°C
Storage Temperature Range	-45 to +85	°C

● MECHANICAL SPECIFICATION

Dimension



REFLOW PROFILE



Reflow profile		
Temperature Min Preheat	T_{SMIN}	150°C
Temperature Max Preheat	T_{SMAX}	200°C
Time (T_{SMIN} to T_{SMAX})	t_s	60-180 sec.
Temperature	T_L	217°C
Peak Temperature	T_P	245°C
Ramp-up rate	R_{UP}	3°C/sec max.
Ramp-down rate	R_{DOWN}	6°C/sec max.
Time within 5°C of Peak Temperature	t_p	10 sec.
Time $t[25°C]$ to Peak Temperature	$t[25°C]$ to Peak	480 sec.
Time	t_L	60-150 sec.

ENVIRONMENTAL

PARAMETER	VALUE
MOISTURE SENSITIVITY LEVEL	1
RoHS-2	6/6 COMPLIANT & LEAD FREE
REACH SVHC	COMPLIANT
HALOGEN-FREE	COMPLIANT
ESD CLASSIFICATION LEVEL	N/A
TERMINATION FINISH	Au



● **MARKING**

R433xLz

x – Internal Production ID code
 z – Date Code (year / month)

DATE CODE												
	Jan	Feb	Mar	Apr	May	Jun	Jul	Aug	Sep	Oct	Nov	Dec
2015	a	b	c	d	e	f	g	h	j	k	l	m
2016	n	p	q	r	s	t	u	v	w	x	y	z
2017	A	B	C	D	E	F	G	H	J	K	L	M
2018	N	P	Q	R	S	T	U	V	W	X	Y	Z

● **APPROVAL**

DRAWN BY	F. Parra, 11 May 2015
APPROVED BY	F. Parra, 11 May 2015
REVISION	A, Initial Release