

PRECISION POWR RESISTORS Aluminum Housed (Chassis Mount)

FEATURE :

- High power rating, small size and ultra precision
- Standard winding & non-inductive winding types.
- High stability, strong construction.

GENERAL SPEC :

Wattage Range: 6 styles to choose ranging from 5 to 250 watts.

Resistance Tolerance: 10%, 5%, 3%, 2%, 1%, 0.5%

Operating Temperature Range: -55° to +275° c

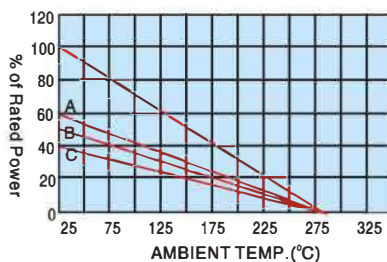
Dielectric Strength: AH-5AH-10AH-25 1000VAH-50 1500VAH-100AH-250 2500V

Temperature Coefficient of Resistance: Standard T. C. : ±30PPM/' c=10Ω and up, ±50PPM/' C=1 to 9.99Ω ±9 OPPM/' C= below 1Ω

SURFACE TEMPERATURE VERSUS POWERLOAD (on Chassis)



DERATING



Derating required to reduce chassis mounting area and high ambient temperatures. Curves A-S & 10 watt units unmounted. B-25 watt units unmounted. C-50, 100 & 250 watt units unmounted.

HOW TO ORDER

AH50 20Ω D
Type Resistance Tolerance

Resistance Tolerance	Code
±0.5%	D
±1%	F
±2%	G
±3%	H
±5%	J
±10%	K



STANDARD ELECTRICAL SPEC.

Type	MIL Style	Wattage Rating	Resistance Range (Ω)		MAX Wring (V)		(g) MAX Weight	Proper heat sink (aluminum chassis)
			A N Inactive	A H N Noninductive	A H	A H N		
AH-5	RE60	5	0.05 -3k	0.1 -1 k	120	70	3	152X102X51X1t
AH-10	RE65	10	0.02 -6k	0.03-2.3k	245	180	7	152X102X51X1t
AH-25	RE70	25	0.012-15k	0.02-5.5k	500	300	15	178X127X51X1t
AH-50	RE75	50	0.01 -40k	0.02-12 k	1300	500	33	305X305X1.5t
AH-100	RE77	100	0.4 -50k	0.12-25 k	1900	1340	450	305X305X3t
AH-250	RE80	250	0.6 -80k	0.15-40 k	2500	1750	800	305X305X3t

PERFORMANCE

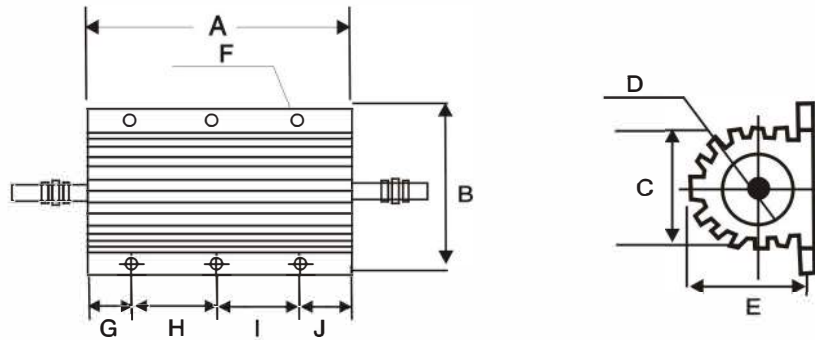
Parameters	Test Conditions	Specifications
Short Time Over Load	5X wattage rating • Ssec.	ΔR±(0.5X+0.05Ω) MAX
Moisture Resistance	temp 40°C moisture 95:0C 100v5C0Hr	ΔR±(0.5X+0.05Ω) MAX
Moisture Load Life	temp 40°C moisture 95:1/10X wattage rating (1.5Hr ON-0.5Hr OFF) • Repeat 1000Hr	ΔR±(0.5X+0.05Ω) MAX
Load Life	Load Rating (Chassis mounted) (1.5Hr ON 0.5Hr OFF) Repeat 1 C00Hr	ΔR±(1.5X+0.05Ω) MAX
Vibration	10c/s-50c/s-10c/s (min)-2H reach of Parallel and right angle	ΔR±(0.5X+0.05Ω) MAX
Heat Resistance	275°C 2Hr	ΔR±(0.5X+0.05Ω) MAX
Dielectric Strength	AH-5 AH-10 AH-25 1000V AH-50 1500V AH-100 AH-250 2500V	ΔR±(0.2X+0.05Ω) MAX
Insulation Resistance	Under the same test condition of Dielectric Strength. Load DC5DCV and measure the Insulation R.	1000MΩ min
Terminal Strength	(1) Pull Test (30 sec Nin) AH-5 1kg. AH-10 2.3kg. AH-25. AH-50 4.5kg (2) Torque Test (5-15 sec) AH-100 27kg • cm. AH-250 36kg • cm	ΔR±(0.2X+0.05Ω) MAX

Materials:

Encapsulant: Silicone
Endcaps: Stainless steel
Core: Ceramic steatite or alumina
Housing: Aluminum with hard anodic coating
Element: Copper-nickel alloy, nickel-chrome alloy or manganese copper
Standard Terminals: 5-50W Tinned terminals

100~250W Threaded terminals

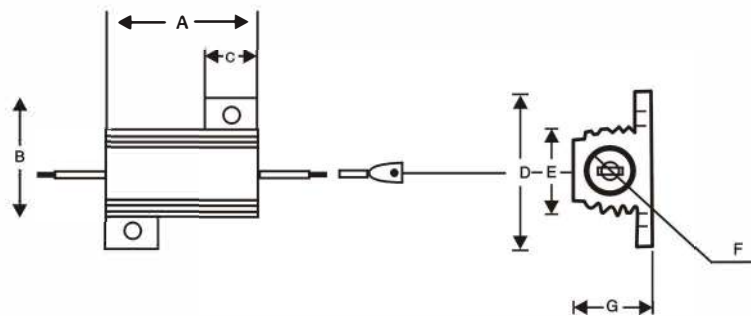
DIMENSIONS
AH-75-300
AHN-75-300



CHINA TYPE

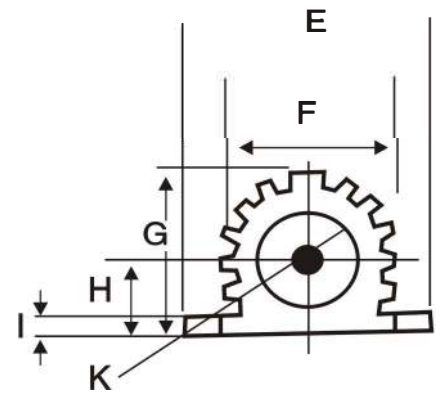
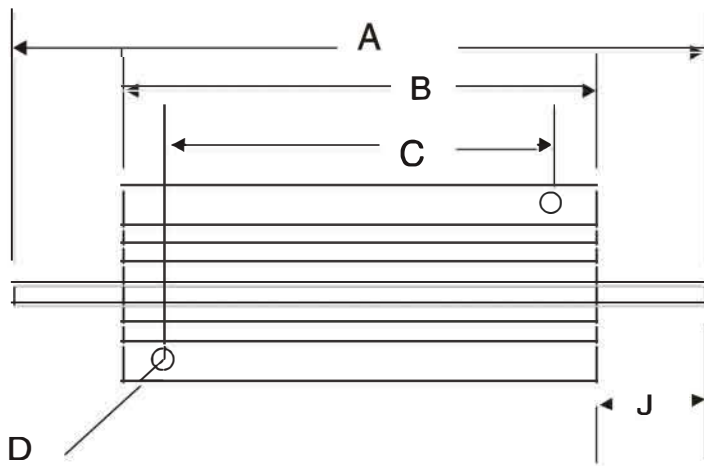
TYPE	DIMENSIONS (mm)									
	A±1	B±1	C±0.5	D±0.5	E±0.5	F	G	H	I	J
AH-75 AHN-75	67	48	22	17	26	4	16	TWO HOLES		16
AH-100 AHN-100	98	48	22	17	26	6	14	35	35	14
AH-150 AHN-150	136	48	22	17	26	6	12	56	56	12
AH-200 AHN-200	155	48	22	17	26	6	12.5	65	65	12.5
AH-250 AHN-250	170	48	22	17	26	6	20	65	65	20
AH-300 AHN-300	128	72	45	32	41	6	12	52	52	12

DIMENSIONS
AH-5 AH-10
AHN-5 AHN-10
AH-25 AH-50
AHN-25 AHN-50



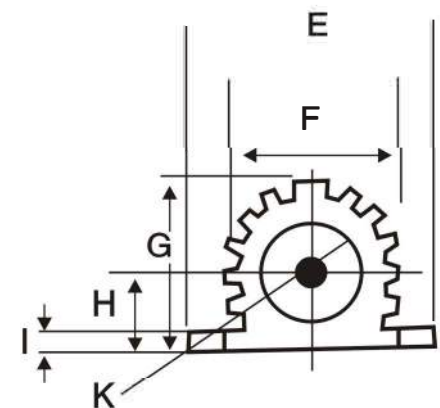
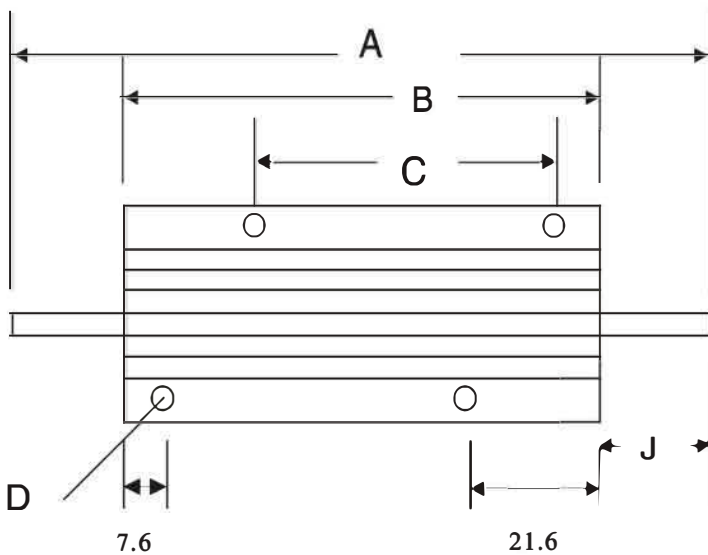
CHINA & TAIWAN
SAME TYPE

TYPE	DIMENSIONS (mm)						
	A±1	B±0.5	C±0.5	D±1	E±0.5	F	G
AH-5 AHN-5	15	13	4	17	9.5	6	8
AH-10 AHN-10	20	17	6	23	10.5	7.5	10.5
AH-25 AHN-25	28	21	10	27	13	10	14
AH-50 AHN-50	50	23	10.5	29.5	15	11	15.5



TAIWAN TYPE

Power Rating	Dimensions (mm)										
	A±2.5	B±1	C±1	D±0.5	E±0.5	F±0.5	G±1	H±0.5	I±0.5	J±1	K±0.1
AH-100W	122	90	75	5	71.5	45	44	20	4.4	16	M5
AH-100WS	98.5	66	35	4.5	47	27	25	13	3.2	10.5	M4



TAIWAN TYPE

Power Rating	Dimensions (mm)										
	A±2.5	B±1	C±1	D±0.5	E±0.5	F±0.5	G±1	H±0.5	I±0.5	J±1	K±0.1
AH-250W	178	114	75	5	77	57	55.5	25	5	32	M6