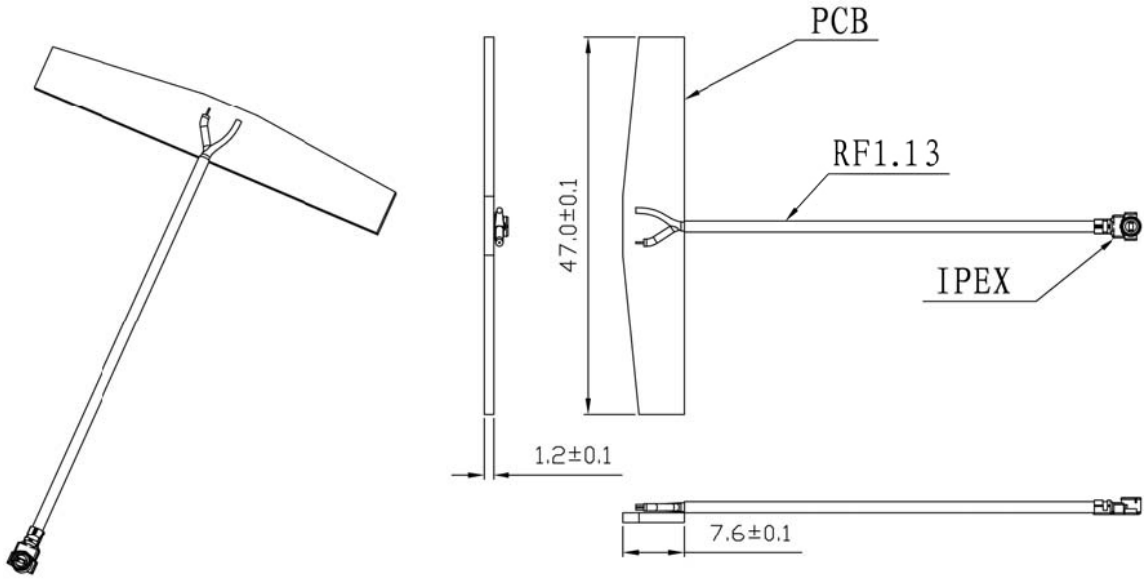


GSM Antenna AN059



DIMENSIONS



Unit: mm

SPECIFICATIONS

Item		Specifications
Antenna	Frequency Range	824~960/1710~1990MHz
	Polarization	Linear
	Gain	2dBi
	V.S.W.R (min)	<3.0
	Impedance	50 Ω
	PCB Dimension	47*7.6*1.2mm
Mechanical	Cable	RF1.13/RF1.37
	Connector	IPEX/MCF
	Mounting Method	Adhesive
Environmental	Operating Temperature	-40°C~+85°C
	Relative Humidity	Up to 95%
	Vibration	10 to 55Hz with 1.5mm amplitude 2hours
	Environmentally Friendly	ROHS Compliant