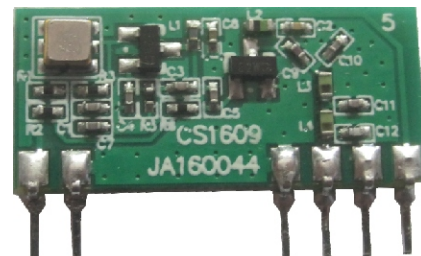


Radio Transmitter module with SAW oscillator 433.92MHz - ASK/OOK Modulation

RC-TX2-432 is a transmitter module with SAW oscillator, allow to realize a complete Remote Keyless adding a coding circuit. ASK/OOK Modulation.

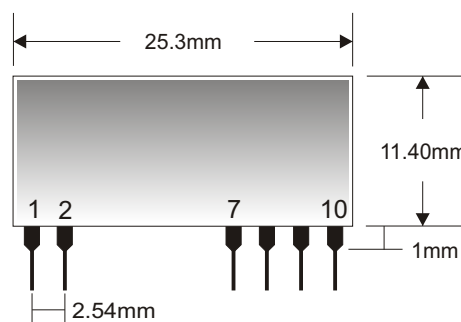


Technical Characteristics

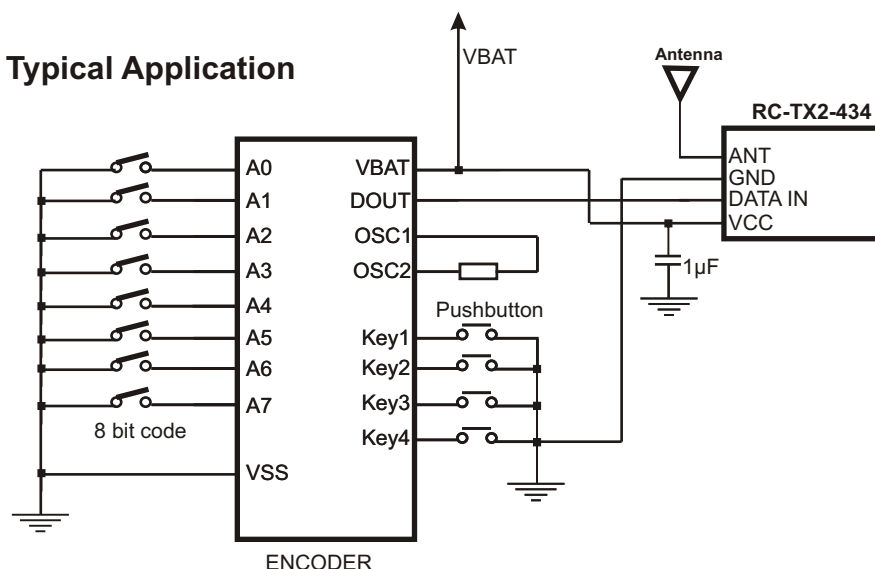
Characteristics		MIN	TYP	MAX	UNIT
V _{cc}	Supply Voltage	2	5	9	Vdc
I	Supply Current		8		mA
P _o	RF Power Output		10		dBm
F	XTAL Frequency		433.92		MHz
F	Frequency Tolerance		+/- 100		KHz
	Max Data Rate			9.6	Kbit/s
T _{OP}	Operating Temperature Range	-25		+80	°C

Pin Description

Pads	Name	Description
1	DATA IN	Data Input
2	GND	Ground
7	GND	Ground
8	ANT	Antenna
9	GND	Ground
10	VCC	Power



Typical Application



Applications :

- Wireless security systems
- Home and building automation
- Automatic Measure Reading
- Wireless Sensor Network