

AM Superhet receiver 868.35MHz

RCBRX-868 is an AM superhet data receiver module. ASK/OOK Modulation. Metallic shield. Based on RCRX-868 device. Available 3Volt and 5Volt. Available 915MHz version.



Technical Characteristics

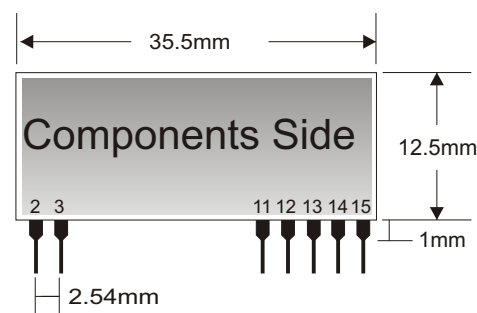
Characteristics	MIN	TYP	MAX	UNIT
V _{cc} Supply Voltage	3.0 / 4.4		3.6 / 5.0	Vdc
I _s Current Consumption (RX mode)		10		mA
I _s Current Consumption (Shut down mode)		<100		nA
F Frequency		868.35	868.45	MHz
S RF Sensitivity	-108		-112	dBm
T Rise Time			<100	ms
D Max Data Rate		10		Kbit/s
B RF Bandwidth 3dB		360		KHz
T Operating Temperature Range	-40		+80	°C

Pin Description

Pads	Name	Description
2	GND	Ground
3	IN	Antenna
11	GND	Ground
12	VCC	VCC
13	----	Not Used
14	OUT	Data Out
15	EN	Enable

EN = 0V ----> RX OFF
EN = 5V ----> RX ON

Mechanical dimensions



Typical application

