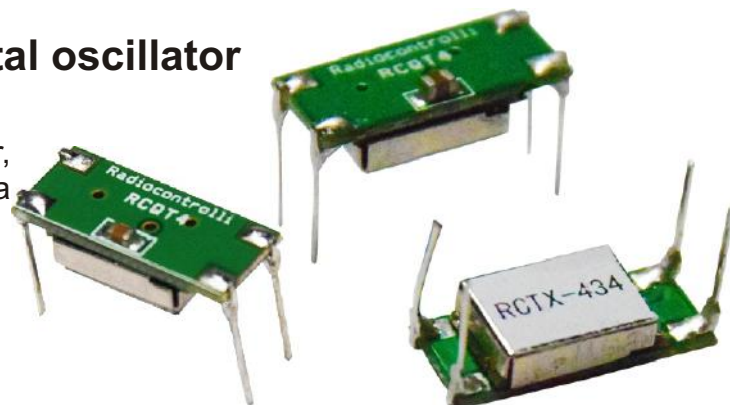


Radio Transmitter module with crystal oscillator 433.92MHz - ASK/OOK Modulation

RCQT4 is a transmitter module with crystal oscillator, allow to realize a complete Remote Keyless adding a coding circuit.
Available in versions 5Volt and 3Volt.



ASK/OOK Modulation.
Metallic shield.

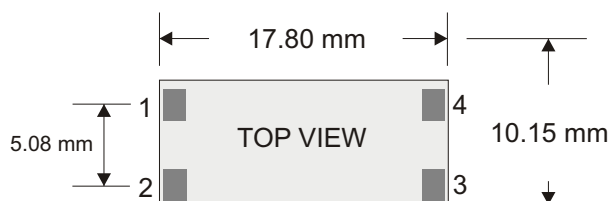
Technical Characteristics

| Characteristics | MIN | TYP | MAX | UNIT |
|---|-----|--------|-----|--------|
| V _{CC} Supply Voltage (5 Volt version) | 4 | 5 | 12 | VDC |
| V _{CC} Supply Voltage (3 Volt version) | 2.2 | 3 | 3.6 | VDC |
| I Supply Current (TX mode) | | 21 | | mA |
| I _s Current Consumption (standby mode) | | < 1 | | μA |
| P _O RF Power Output | | 11 | | dBm |
| F XTAL Frequency | | 433.92 | | MHz |
| F Frequency Tolerance | | +/- 20 | | KHz |
| Max Data Rate | | | 50 | Kbit/s |
| Power Up Time | | | 1 | Ms |
| T _{OP} Operating Temperature Range | -25 | | +80 | °C |

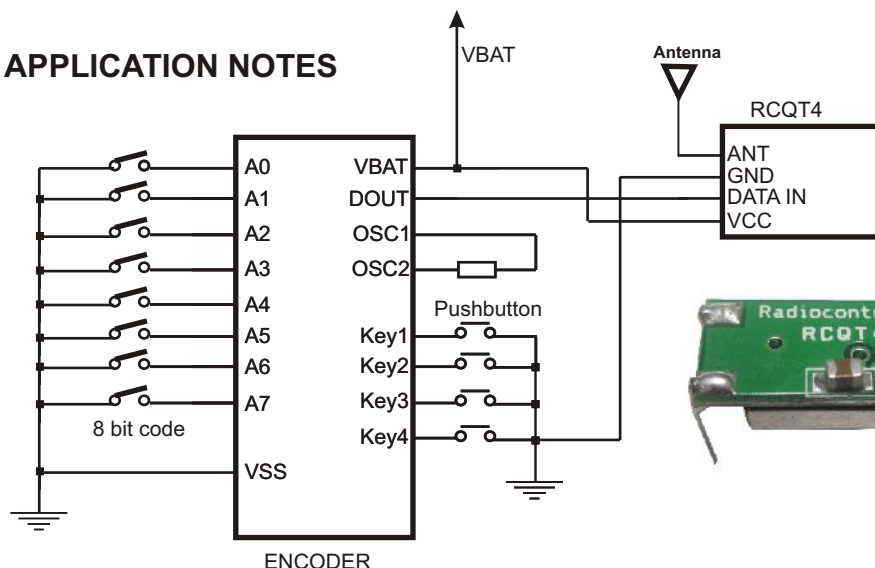
PIN OUT

| Pads | Name | Description |
|------|------|-------------|
| 1 | VCC | VCC |
| 2 | GND | Ground |
| 3 | IN | Data Input |
| 4 | ANT | Antenna |

Mechanical Dimensions



APPLICATION NOTES



Applications :

- Wireless security systems
- Home and building automation
- Automatic Measure Reading
- Wireless Sensor Network