

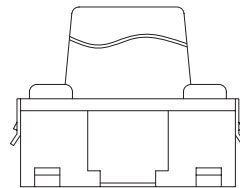
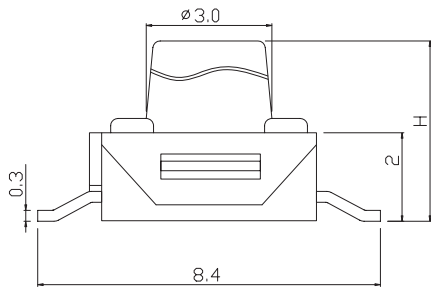
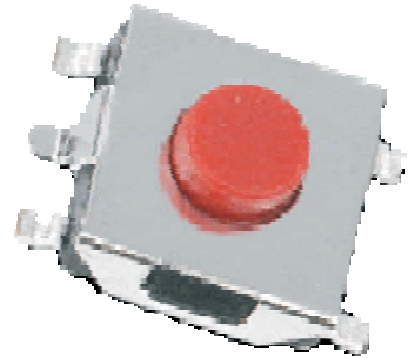
Switch

Tact Switch Series

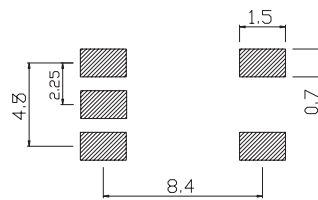
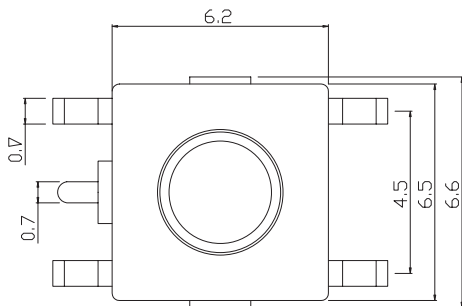
6x6 Tact Switch Series

ELECTRICAL

- 1. Rating: 50mA 12VDC
- 2. Contact Resistance : 50mΩ max(initial)
- 3. Insulation Resistance: 100MΩ(minDC 250V)
- 4. Dielectric Strength : AC250V(50/60Hz for 1minute)
- 5. Electrically Life: 100000cycles
- 6. Environment temperature: -20°C~+70°C
- 7. Operating Force: 180/250(±30gf)
- 8. Seal temperature: 260°C~ 280°C



H1=2.1mm
H2=2.5mm
H3=2.7mm
H4=3.1mm
H5=3.7mm
H6=5.1mm



PCB LAYOUT