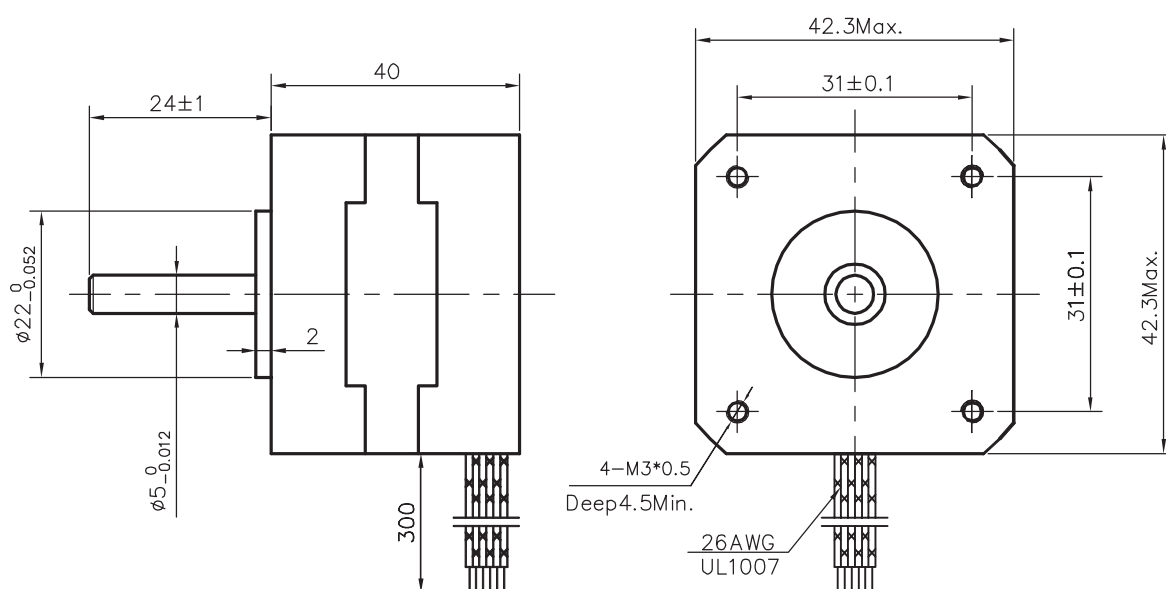


Dimension:
Unit=mm



Specifications:

Phase	4		Comment
Step Angle	0.9	deg.	
Voltage	12	V	
Current	0.4	A	
Resistance	30	Ω	
Inductance	36	mH	
Holding Torque	2.6	kg.cm	
Insulation Class	B		
Mass	0.28	kg	

Wiring Diagram:

