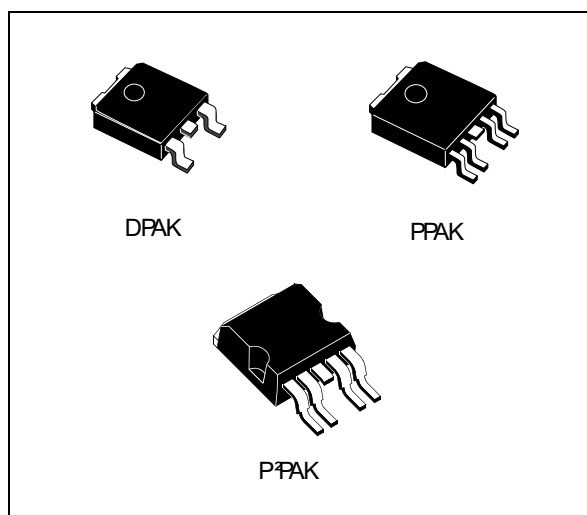


## 1.5 A, very low drop voltage regulators

Datasheet - production data



### Description

The LD29150 is a high current, high accuracy, low-dropout voltage regulator series. These regulators feature 400 mV dropout voltage and very low ground current. Designed for high current loads, these devices are also used in lower current, extremely low dropout-critical systems, where their tiny dropout voltage and ground current values are important attributes. Typical applications are in power supply switching post regulation, series power supply for monitors, series power supply for VCRs and TVs, computer systems and battery powered systems.

### Features

- Very low dropout voltage (typ. 0.4 at 1.5 A)
- Guaranteed output current up to 1.5 A
- Fixed and adjustable output voltage ( $\pm 1\%$  at 25 °C)
- Internal current and thermal limit
- Logic controlled electronic shutdown available in PPAK and P2PAK

**Table 1. Device summary**

Order codes			Output voltages
DPAK	PPAK	P2PAK	
LD29150DT18R			1.8 V
LD29150DT25R			2.5 V
LD29150DT33R		LD29150P2T33R	3.3 V
LD29150DT50R	LD29150PT50R		5.0 V
	LD29150PTR		ADJ

---

# Contents

1	Diagram .....	3
2	Pin configuration .....	4
3	Typical application .....	5
4	Maximum ratings .....	6
5	Electrical characteristics .....	7
6	Typical characteristics .....	12
7	Package mechanical data .....	15
8	Packaging mechanical data .....	23
9	Revision history .....	26

# 1 Diagram

Figure 1. Schematic diagram for adjustable version

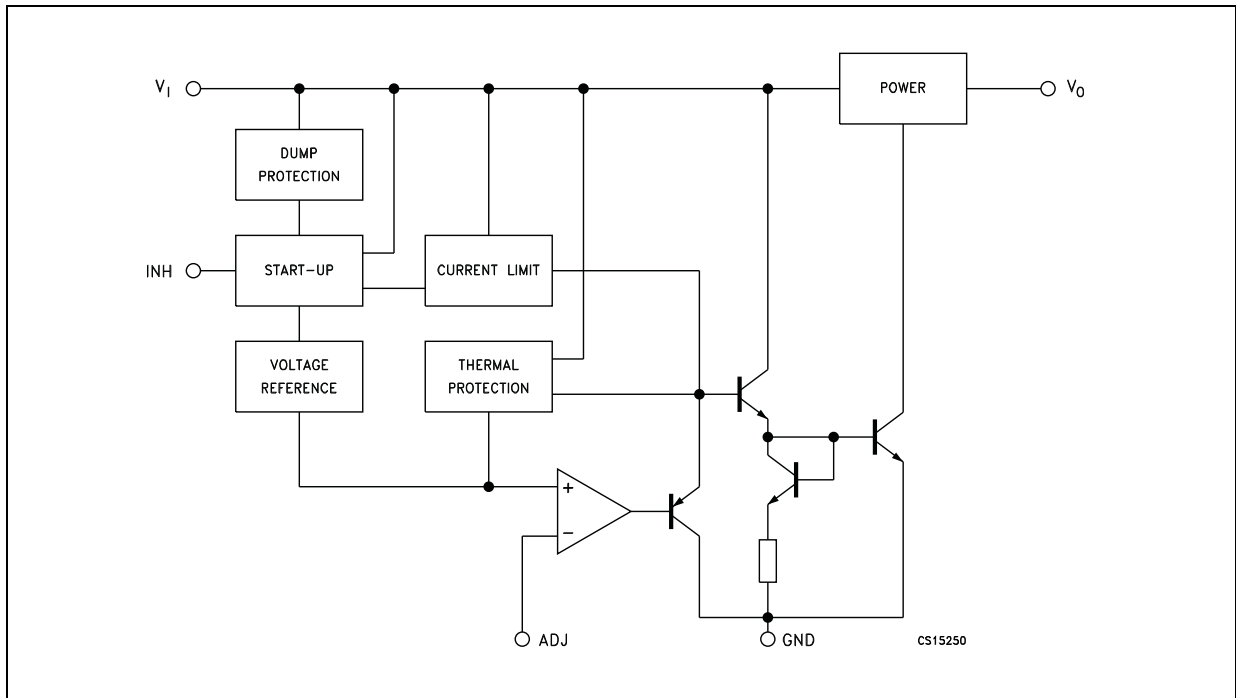
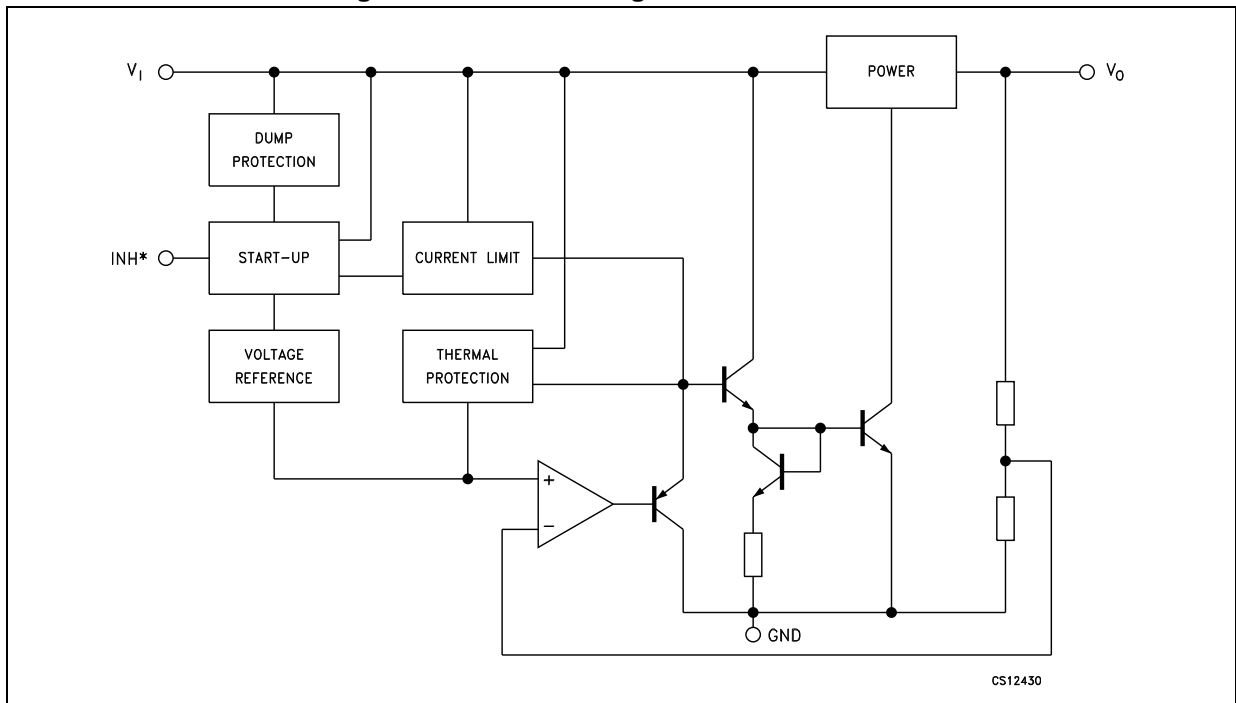


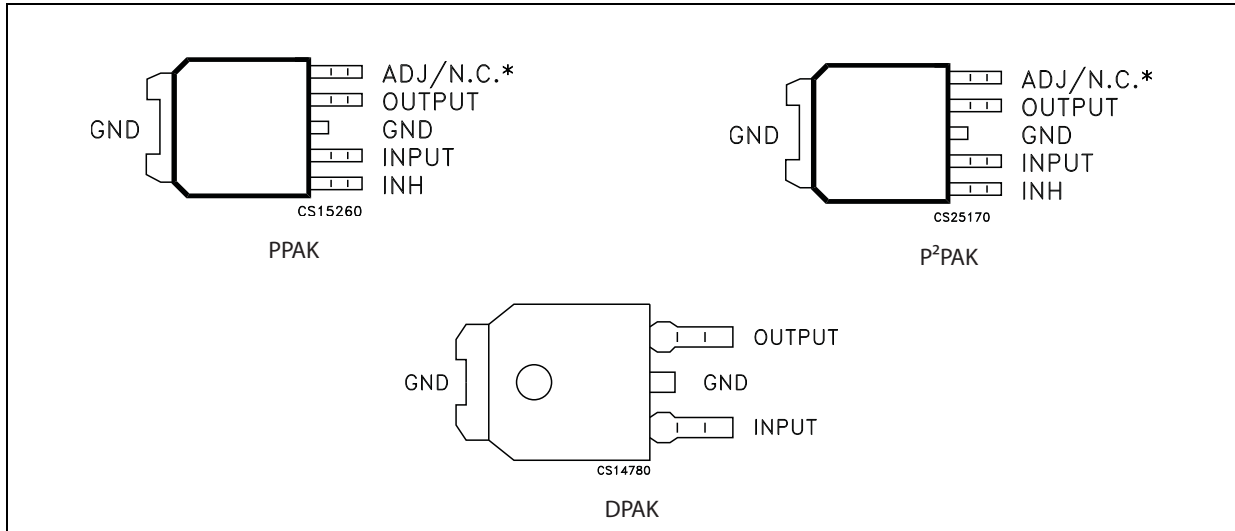
Figure 2. Schematic diagram for fixed version



\* Only for version with inhibit function.

## 2 Pin configuration

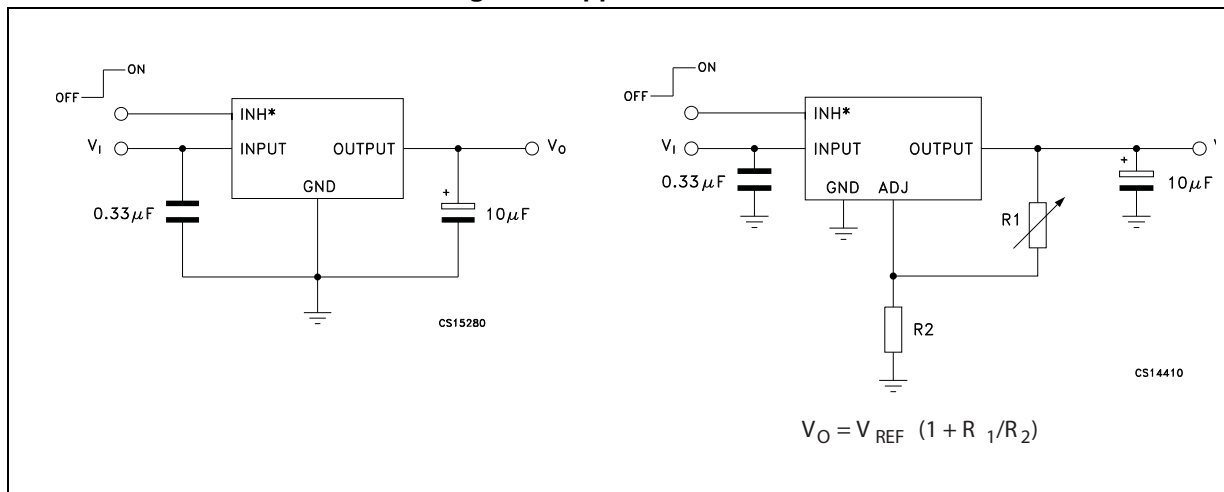
Figure 3. Pin connections (top view)



\* Not connected for fixed version.

### 3 Typical application

Figure 4. Application circuit



\* Only for version with inhibit function.

## 4 Maximum ratings

**Table 2. Absolute maximum ratings**

Symbol	Parameter	Value	Unit
$V_I$	DC input voltage	30 <sup>(1)</sup>	V
$V_O$	DC output voltage	-0.3 to 20	V
$V_{INH}$	Inhibit input voltage	-0.3 to 20	V
$I_O$	Output current	Internally limited	mA
$P_D$	Power dissipation	Internally limited	mW
$T_{STG}$	Storage temperature range	-55 to 150	°C
$T_{OP}$	Operating junction temperature range	-40 to 125	°C

1. Above 14 V the device is automatically in shut-down.

*Note: Absolute maximum ratings are those values beyond which damage to the device may occur. Functional operation under these conditions is not implied.*

**Table 3. Thermal data**

Symbol	Parameter	DPAK	PPAK	P <sup>2</sup> PAK	Unit
$R_{thJA}$	Thermal resistance junction-ambient	100	100	60	°C/W
$R_{thJC}$	Thermal resistance junction-case	8	8	3	°C/W

## 5 Electrical characteristics

$I_O = 10 \text{ mA}$ ,  $T_J = 25 \text{ °C}$ ,  $V_I = 3.8 \text{ V}$ ,  $V_{INH} = 2 \text{ V}$  (*Note 3*),  $C_I = 330 \text{ nF}$ ,  $C_O = 10 \text{ μF}$ , unless otherwise specified.

**Table 4. Electrical characteristics of LD29150#18**

Symbol	Parameter	Test conditions	Min.	Typ.	Max.	Unit
$V_O$	Output voltage	$I_O = 10 \text{ mA}$ to $1.5 \text{ A}$ , $V_I = 3$ to $7.3 \text{ V}$ $T_J = -40$ to $125 \text{ °C}$	1.782	1.8	1.818	V
			1.764		1.836	
$\Delta V_O$	Load regulation	$I_O = 10 \text{ mA}$ to $1.5 \text{ A}$		0.2	1.0	%
$\Delta V_O$	Line regulation	$V_I = 3$ to $13 \text{ V}$		0.06	0.5	%
SVR	Supply voltage rejection	$f = 120 \text{ Hz}$ , $V_I = 3.8 \pm 1 \text{ V}$ , $I_O = 0.75 \text{ A}$ ( <i>Note 1</i> )	62	72		dB
$V_{DROPP}$	Dropout voltage	$I_O = 250 \text{ mA}$ , $T_J = -40$ to $125 \text{ °C}$ ( <i>Note 2</i> )		0.1		V
		$I_O = 0.75 \text{ A}$ , $T_J = -40$ to $125 \text{ °C}$ ( <i>Note 2</i> )		0.2		
		$I_O = 1.5 \text{ A}$ , $T_J = -40$ to $125 \text{ °C}$ ( <i>Note 2</i> )		0.4	0.7	
$I_q$	Quiescent current	$I_O = 0.75 \text{ A}$ , $T_J = -40$ to $125 \text{ °C}$		15	40	mA
		$I_O = 1.5 \text{ A}$ , $T_J = -40$ to $125 \text{ °C}$		30	80	
		$V_I = 13 \text{ V}$ , $V_{INH} = \text{GND}$ , $T_J = -40$ to $125 \text{ °C}$		130	180	$\mu\text{A}$
$I_{sc}$	Short circuit current	$V_I - V_O = 5.5 \text{ V}$		2.2		A
$V_{IL}$	Control input logic low	OFF MODE, ( <i>Note 3</i> ), $T_J = -40$ to $125 \text{ °C}$			0.8	V
$V_{IH}$	Control input logic high	ON MODE, ( <i>Note 3</i> ), $T_J = -40$ to $125 \text{ °C}$	2			V
$I_{INH}$	Control input current	$T_J = -40$ to $125 \text{ °C}$ , $V_{INH} = 13 \text{ V}$		5	10	$\mu\text{A}$
eN	Output noise voltage	$B_P = 10 \text{ Hz}$ to $100 \text{ kHz}$ , $I_O = 100 \text{ mA}$ ( <i>Note 1</i> )		72		$\mu\text{V}_{RMS}$
$T_{SHDN}$	Thermal shutdown			150		$^{\circ}\text{C}$

Note: 1 Guaranteed by design.

2 Dropout voltage is defined as the input-to-output differential when the output voltage drops to 99 % of its nominal value with  $V_O + 1 \text{ V}$  applied to  $V_I$ .

3 Only for version with Inhibit function.

$I_O = 10 \text{ mA}$ ,  $T_J = 25 \text{ }^\circ\text{C}$ ,  $V_I = 4.5 \text{ V}$ ,  $V_{INH} = 2 \text{ V}$  (*Note 3*),  $C_I = 330 \text{ nF}$ ,  $C_O = 10 \text{ } \mu\text{F}$ , unless otherwise specified.

**Table 5. Electrical characteristics of LD29150#25**

Symbol	Parameter	Test conditions	Min.	Typ.	Max.	Unit
$V_O$	Output voltage	$I_O = 10 \text{ mA}$ to $1.5 \text{ A}$ , $V_I = 3.5$ to $8 \text{ V}$ $T_J = -40$ to $125 \text{ }^\circ\text{C}$	2.475	2.5	2.525	V
			2.45		2.55	
$\Delta V_O$	Load regulation	$I_O = 10 \text{ mA}$ to $1.5 \text{ A}$		0.2	1.0	%
$\Delta V_O$	Line regulation	$V_I = 3.5$ to $13 \text{ V}$		0.06	0.5	%
SVR	Supply voltage rejection	$f = 120 \text{ Hz}$ , $V_I = 4.5 \pm 1 \text{ V}$ , $I_O = 0.75 \text{ A}$ ( <i>Note 1</i> )	55	70		dB
$V_{DROPO}$	Dropout voltage	$I_O = 250 \text{ mA}$ , $T_J = -40$ to $125 \text{ }^\circ\text{C}$ ( <i>Note 2</i> )		0.1		V
		$I_O = 0.75 \text{ A}$ , $T_J = -40$ to $125 \text{ }^\circ\text{C}$ ( <i>Note 2</i> )		0.2		
		$I_O = 1.5 \text{ A}$ , $T_J = -40$ to $125 \text{ }^\circ\text{C}$ ( <i>Note 2</i> )		0.4	0.7	
$I_q$	Quiescent current	$I_O = 0.75 \text{ A}$ , $T_J = -40$ to $125 \text{ }^\circ\text{C}$		15	40	mA
		$I_O = 1.5 \text{ A}$ , $T_J = -40$ to $125 \text{ }^\circ\text{C}$		30	80	
		$V_I = 13 \text{ V}$ , $V_{INH} = \text{GND}$ , $T_J = -40$ to $125 \text{ }^\circ\text{C}$		130	180	$\mu\text{A}$
$I_{sc}$	Short circuit current	$V_I - V_O = 5.5 \text{ V}$		2.2		A
$V_{IL}$	Control input logic low	OFF MODE, ( <i>Note 3</i> ), $T_J = -40$ to $125 \text{ }^\circ\text{C}$			0.8	V
$V_{IH}$	Control input logic high	ON MODE, ( <i>Note 3</i> ), $T_J = -40$ to $125 \text{ }^\circ\text{C}$	2			V
$I_{INH}$	Control input current	$T_J = -40$ to $125 \text{ }^\circ\text{C}$ , $V_{INH} = 13 \text{ V}$		5	10	$\mu\text{A}$
eN	Output noise voltage	$B_P = 10 \text{ Hz}$ to $100 \text{ kHz}$ , $I_O = 100 \text{ mA}$ ( <i>Note 1</i> )		100		$\mu\text{V}_{RMS}$
$T_{SHDN}$	Thermal shutdown			150		$^\circ\text{C}$

Note: 1 Guaranteed by design.

2 Dropout voltage is defined as the input-to-output differential when the output voltage drops to 99% of its nominal value with  $V_O + 1 \text{ V}$  applied to  $V_I$ .

3 Only for version with Inhibit function.



$I_O = 10 \text{ mA}$ ,  $T_J = 25 \text{ °C}$ ,  $V_I = 5.3 \text{ V}$ ,  $V_{INH} = 2 \text{ V}$  (*Note 3*),  $C_I = 330 \text{ nF}$ ,  $C_O = 10 \text{ }\mu\text{F}$ , unless otherwise specified.

**Table 6. Electrical characteristics of LD29150#33**

Symbol	Parameter	Test conditions	Min.	Typ.	Max.	Unit
$V_O$	Output voltage	$I_O = 10 \text{ mA to } 1.5 \text{ A}$ , $V_I = 4.3 \text{ to } 8.8 \text{ V}$ $T_J = -40 \text{ to } 125 \text{ °C}$	3.267	3.3	3.333	V
			3.234		3.366	
$\Delta V_O$	Load regulation	$I_O = 10 \text{ mA to } 1.5 \text{ A}$		0.2	1.0	%
$\Delta V_O$	Line regulation	$V_I = 4.3 \text{ to } 13 \text{ V}$		0.06	0.5	%
SVR	Supply voltage rejection	$f = 120 \text{ Hz}$ , $V_I = 5.3 \pm 1 \text{ V}$ , $I_O = 0.75 \text{ A}$ ( <i>Note 1</i> )	52	67		dB
$V_{DROP}$	Dropout voltage	$I_O = 250 \text{ mA}$ , $T_J = -40 \text{ to } 125 \text{ °C}$ ( <i>Note 2</i> )		0.1		V
		$I_O = 0.75 \text{ A}$ , $T_J = -40 \text{ to } 125 \text{ °C}$ ( <i>Note 2</i> )		0.2		
		$I_O = 1.5 \text{ A}$ , $T_J = -40 \text{ to } 125 \text{ °C}$ ( <i>Note 2</i> )		0.4	0.7	
$I_q$	Quiescent current	$I_O = 0.75 \text{ A}$ , $T_J = -40 \text{ to } 125 \text{ °C}$		15	40	mA
		$I_O = 1.5 \text{ A}$ , $T_J = -40 \text{ to } 125 \text{ °C}$		30	80	
		$V_I = 13 \text{ V}$ , $V_{INH} = \text{GND}$ , $T_J = -40 \text{ to } 125 \text{ °C}$		130	180	$\mu\text{A}$
$I_{sc}$	Short circuit current	$V_I - V_O = 5.5 \text{ V}$		2.2		A
$V_{IL}$	Control input logic low	OFF MODE, ( <i>Note 3</i> ), $T_J = -40 \text{ to } 125 \text{ °C}$			0.8	V
$V_{IH}$	Control input logic high	ON MODE, ( <i>Note 3</i> ), $T_J = -40 \text{ to } 125 \text{ °C}$	2			V
$I_{INH}$	Control input current	$T_J = -40 \text{ to } 125 \text{ °C}$ , $V_{INH} = 13 \text{ V}$		5	10	$\mu\text{A}$
eN	Output noise voltage	$B_P = 10 \text{ Hz to } 100 \text{ kHz}$ , $I_O = 100 \text{ mA}$ ( <i>Note 1</i> )		132		$\mu\text{V}_{RMS}$
$T_{SHDN}$	Thermal shutdown			150		$^{\circ}\text{C}$

Note: 1 Guaranteed by design.

2 Dropout voltage is defined as the input-to-output differential when the output voltage drops to 99 % of its nominal value with  $V_O + 1 \text{ V}$  applied to  $V_I$ .

3 Only for version with Inhibit function.

$I_O = 10 \text{ mA}$ ,  $T_J = 25 \text{ °C}$ ,  $V_I = 7 \text{ V}$ ,  $V_{INH} = 2 \text{ V}$  (*Note 3*),  $C_I = 330 \text{ nF}$ ,  $C_O = 10 \text{ }\mu\text{F}$ , unless otherwise specified.

**Table 7. Electrical characteristics of LD29150#50**

Symbol	Parameter	Test conditions	Min.	Typ.	Max.	Unit
$V_O$	Output voltage	$I_O = 10 \text{ mA to } 1.5 \text{ A}$ , $V_I = 6 \text{ to } 10.5 \text{ V}$ $T_J = -40 \text{ to } 125 \text{ °C}$	4.95	5	5.05	V
			4.9		5.1	
$\Delta V_O$	Load regulation	$I_O = 10 \text{ mA to } 1.5 \text{ A}$		0.2	1.0	%
$\Delta V_O$	Line regulation	$V_I = 6 \text{ to } 13 \text{ V}$		0.06	0.5	%
SVR	Supply voltage rejection	$f = 120 \text{ Hz}$ , $V_I = 7 \pm 1 \text{ V}$ , $I_O = 0.75 \text{ A}$ ( <i>Note 1</i> )	49	64		dB
$V_{DROPO}$	Dropout voltage	$I_O = 250 \text{ mA}$ , $T_J = -40 \text{ to } 125 \text{ °C}$ ( <i>Note 2</i> )		0.1		V
		$I_O = 0.75 \text{ A}$ , $T_J = -40 \text{ to } 125 \text{ °C}$ ( <i>Note 2</i> )		0.2		
		$I_O = 1.5 \text{ A}$ , $T_J = -40 \text{ to } 125 \text{ °C}$ ( <i>Note 2</i> )		0.4	0.7	
$I_q$	Quiescent current	$I_O = 0.75 \text{ A}$ , $T_J = -40 \text{ to } 125 \text{ °C}$		15	40	mA
		$I_O = 1.5 \text{ A}$ , $T_J = -40 \text{ to } 125 \text{ °C}$		30	80	
		$V_I = 13 \text{ V}$ , $V_{INH} = \text{GND}$ , $T_J = -40 \text{ to } 125 \text{ °C}$		130	180	$\mu\text{A}$
$I_{sc}$	Short circuit current	$V_I - V_O = 5.5 \text{ V}$		2.2		A
$V_{IL}$	Control input logic low	OFF MODE, ( <i>Note 3</i> ), $T_J = -40 \text{ to } 125 \text{ °C}$			0.8	V
$V_{IH}$	Control input logic high	ON MODE, ( <i>Note 3</i> ), $T_J = -40 \text{ to } 125 \text{ °C}$	2			V
$I_{INH}$	Control input current	$T_J = -40 \text{ to } 125 \text{ °C}$ , $V_{INH} = 13 \text{ V}$		5	10	$\mu\text{A}$
eN	Output noise voltage	$B_P = 10 \text{ Hz to } 100 \text{ kHz}$ , $I_O = 100 \text{ mA}$ ( <i>Note 1</i> )		200		$\mu\text{V}_{RMS}$
$T_{SHDN}$	Thermal shutdown			150		$^{\circ}\text{C}$

Note: 1 Guaranteed by design.

2 Dropout voltage is defined as the input-to-output differential when the output voltage drops to 99 % of its nominal value with  $V_O + 1 \text{ V}$  applied to  $V_I$ .

3 Only for version with Inhibit function.

$I_O = 10 \text{ mA}$ ,  $T_J = 25 \text{ °C}$ ,  $V_I = 3.23 \text{ V}$ ,  $V_{INH} = 2 \text{ V}$  (*Note 3*),  $C_I = 330 \text{ nF}$ ,  $C_O = 10 \text{ }\mu\text{F}$  adjust pin tied to output pin.

**Table 8. Electrical characteristics of LD29150#ADJ**

Symbol	Parameter	Test conditions	Min.	Typ.	Max.	Unit
$V_I$	Minimum operating input voltage	$I_O = 10 \text{ mA}$ to $1.5 \text{ A}$ , $T_J = -40$ to $125 \text{ °C}$	2.5			V
$\Delta V_O$	Load regulation	$I_O = 10 \text{ mA}$ to $1.5 \text{ A}$		0.2	1.0	%
$\Delta V_O$	Line regulation	$V_I = 2.5 \text{ V}$ to $13 \text{ V}$ , $I_O = 10 \text{ mA}$		0.06	0.5	%
$V_{REF}$	Reference voltage	$I_O = 10 \text{ mA}$ to $1.5 \text{ A}$ , $V_I = 2.5$ to $4.5 \text{ V}$ $T_J = -40$ to $125 \text{ °C}$ ( <i>Note 2</i> )	-1%	1.23	+1%	V
			-2%		+2%	
SVR	Supply voltage rejection	$f = 120 \text{ Hz}$ , $V_I = 3.23 \pm 1 \text{ V}$ , $I_O = 0.75 \text{ A}$ ( <i>Note 1</i> )	45	75		dB
$I_q$	Quiescent current	$I_O = 0.75 \text{ A}$ , $T_J = -40$ to $125 \text{ °C}$		15	40	mA
		$I_O = 1.5 \text{ A}$ , $T_J = -40$ to $125 \text{ °C}$		30	80	
		$V_I = 13 \text{ V}$ , $V_{INH} = \text{GND}$ , $T_J = -40$ to $125 \text{ °C}$		130	180	$\mu\text{A}$
$I_{ADJ}$	Adjust pin current	$T_J = -40$ to $125 \text{ °C}$ ( <i>Note 1</i> )			1	$\mu\text{A}$
$I_{sc}$	Short circuit current	$V_I - V_O = 5.5 \text{ V}$		2.2		A
$V_{IL}$	Control input logic low	OFF MODE, ( <i>Note 3</i> ), $T_J = -40$ to $125 \text{ °C}$			0.8	V
$V_{IH}$	Control input logic high	ON MODE, ( <i>Note 3</i> ), $T_J = -40$ to $125 \text{ °C}$	2			V
$I_{INH}$	Control input current	$T_J = -40$ to $125 \text{ °C}$ , $V_{INH} = 13 \text{ V}$		5	10	$\mu\text{A}$
eN	Output noise voltage	$B_P = 10 \text{ Hz}$ to $100 \text{ kHz}$ , $I_O = 100 \text{ mA}$ ( <i>Note 1</i> )		50		$\mu\text{V}_{RMS}$
$T_{SHDN}$	Thermal shutdown			150		$^{\circ}\text{C}$

Note: 1 Guaranteed by design.

2 Reference voltage is measured between output and GND pin, with ADJ PIN tied to  $V_{OUT}$ .

3 Only for version with Inhibit function.

## 6 Typical characteristics

Figure 5. Output voltage vs. temperature

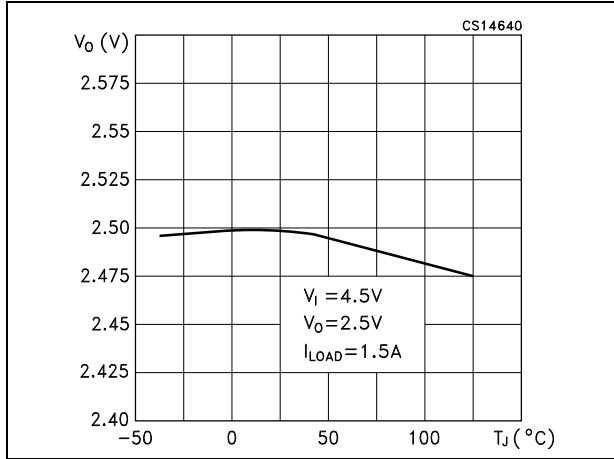


Figure 6. Reference voltage vs. temperature

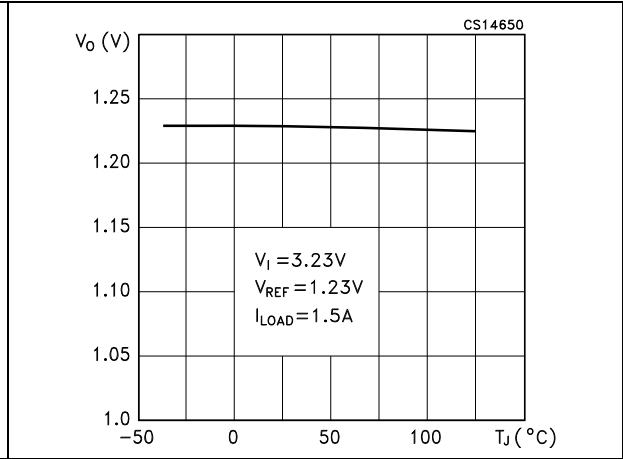


Figure 7. Dropout voltage vs. temperature

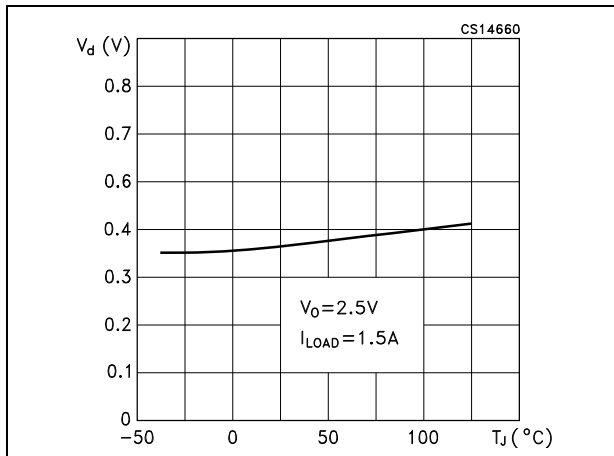


Figure 8. Dropout voltage vs. output current

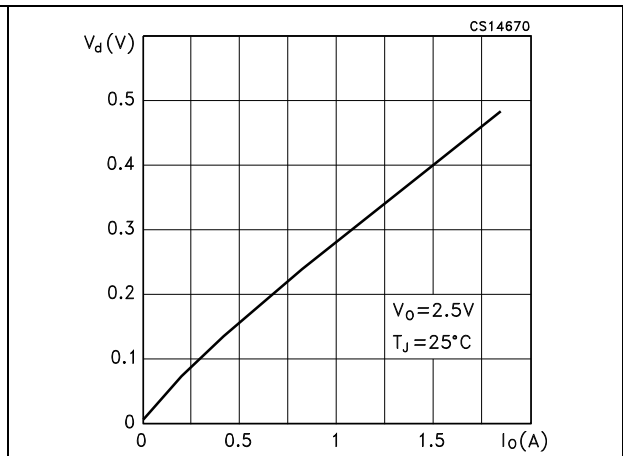


Figure 9. Quiescent current vs. output current  
( $V_i = 13\text{ V}$ )

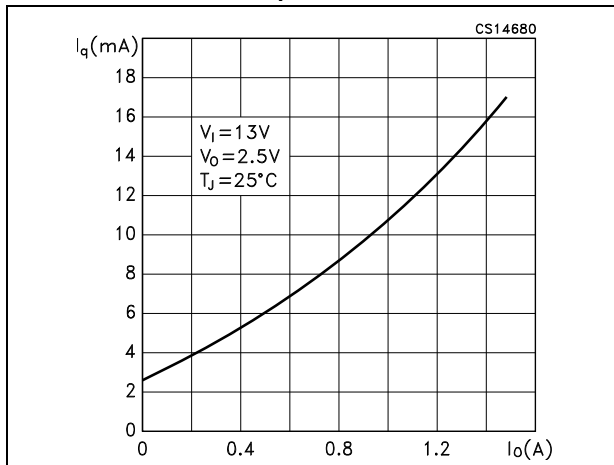


Figure 10. Quiescent current vs. output current  
( $V_i = 4.5\text{ V}$ )

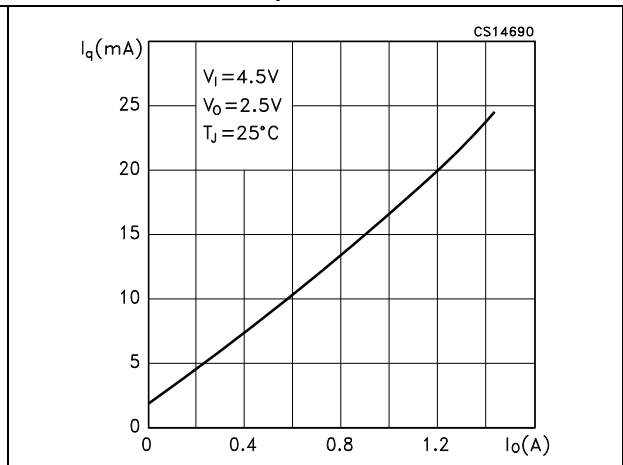


Figure 11. Quiescent current vs. supply voltage      Figure 12. Quiescent current vs. temperature ( $I_O = 10\text{ mA}$ )

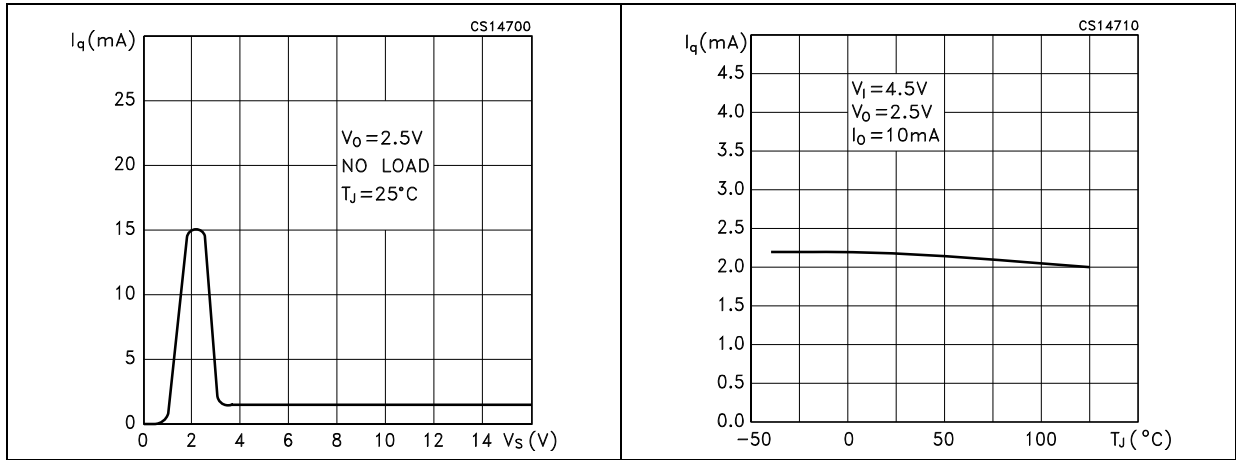


Figure 13. Quiescent current vs. temperature ( $I_O = 1.5\text{ A}$ )      Figure 14. Short circuit current vs. temperature

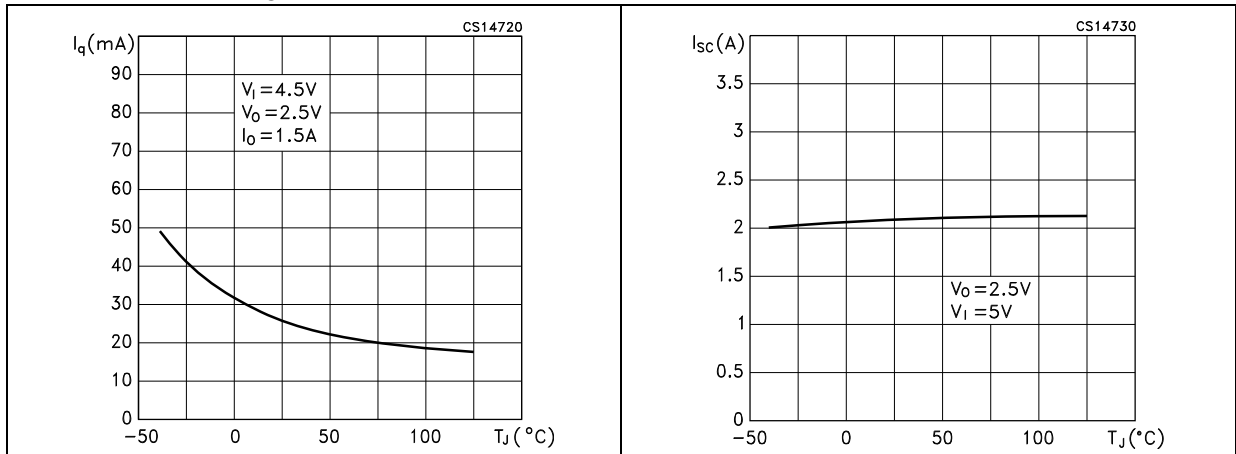


Figure 15. Adjust pin current vs. temperature      Figure 16. Supply voltage rejection vs. temperature

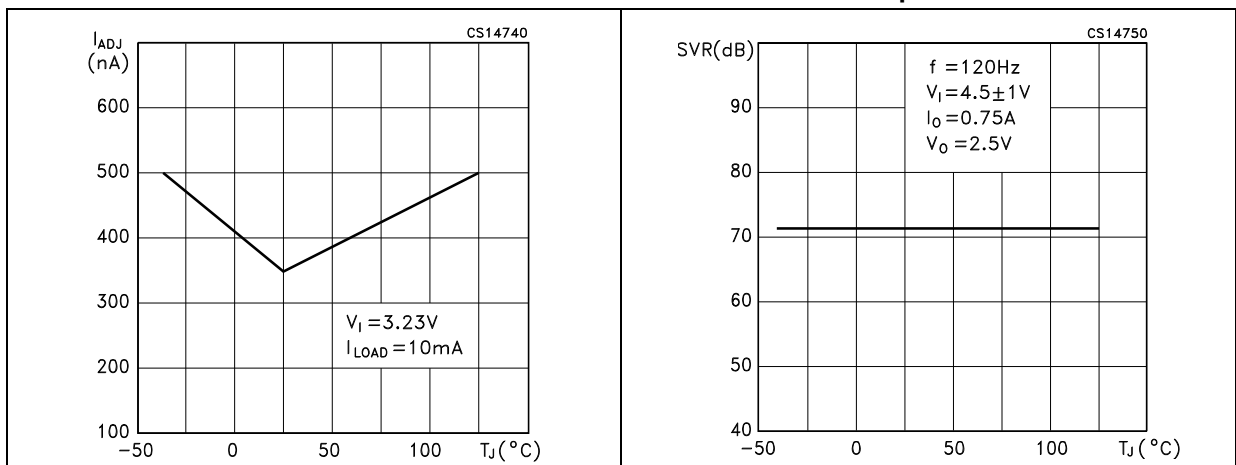


Figure 17. Output voltage vs. input voltage

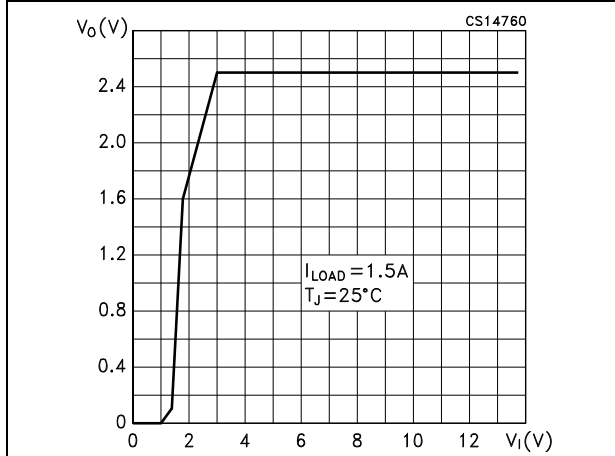


Figure 18. Stability vs. C<sub>O</sub>

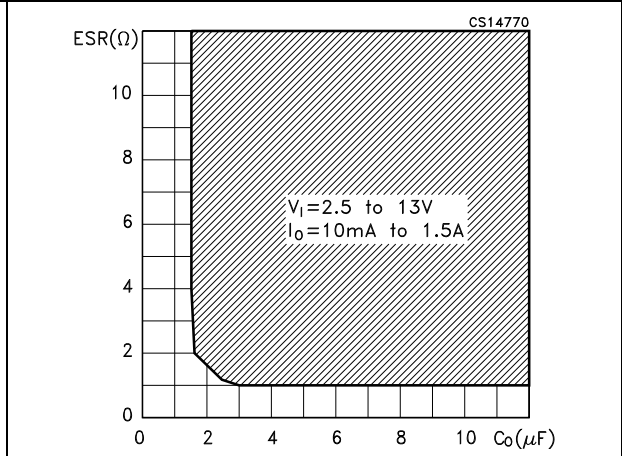


Figure 19. Line transient

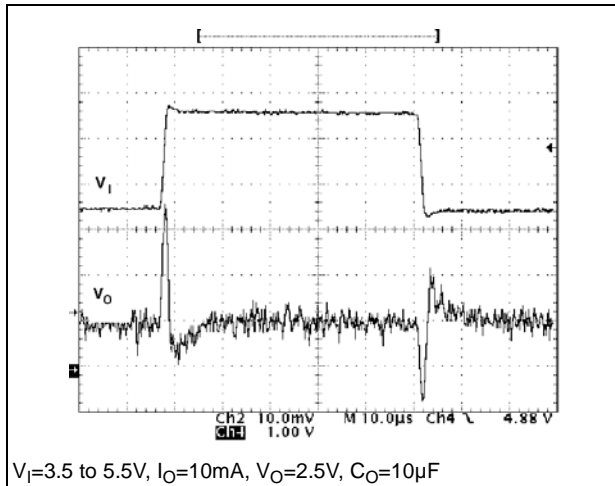


Figure 20. Load transient

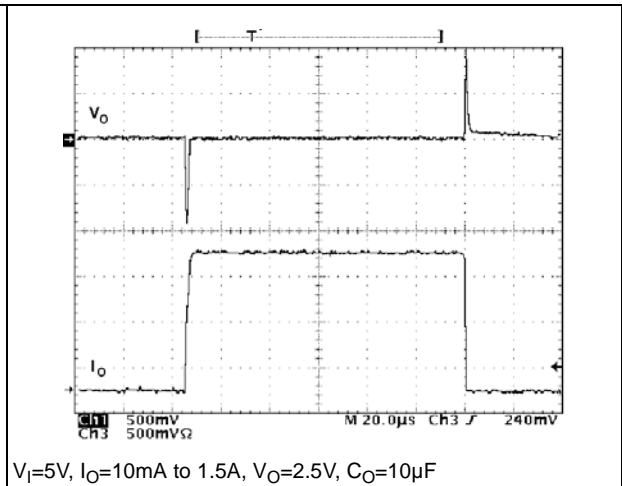


Figure 21. Start-up time 10 mA

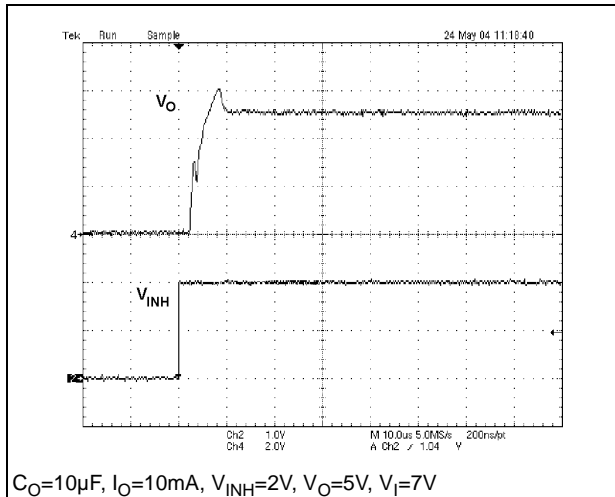
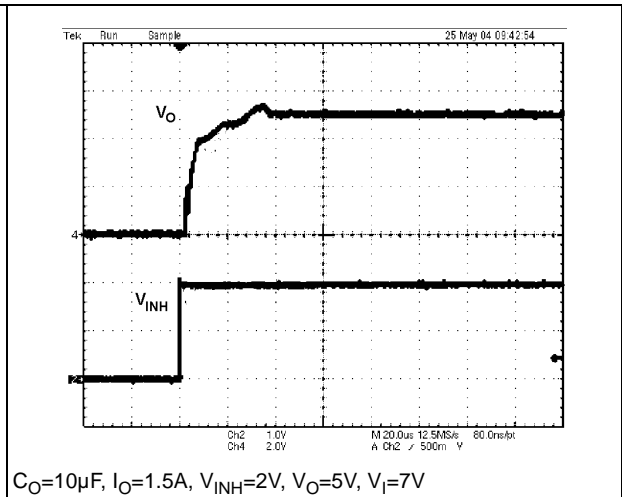


Figure 22. Start-up time 1.5 A



## 7 Package mechanical data

In order to meet environmental requirements, ST offers these devices in different grades of ECOPACK<sup>®</sup> packages, depending on their level of environmental compliance. ECOPACK<sup>®</sup> specifications, grade definitions and product status are available at: [www.st.com](http://www.st.com). ECOPACK<sup>®</sup> is an ST trademark.

**Table 9. DPAK mechanical data**

Dim.	mm		
	Min.	Typ.	Max.
A	2.20		2.40
A1	0.90		1.10
A2	0.03		0.23
b	0.64		0.90
b4	5.20		5.40
c	0.45		0.60
c2	0.48		0.60
D	6.00		6.20
D1		5.10	
E	6.40		6.60
E1		4.70	
e		2.28	
e1	4.40		4.60
H	9.35		10.10
L	1.00		1.50
(L1)		2.80	
L2		0.80	
L4	0.60		1.00
R		0.20	
V2	0°		8°

Figure 23. DPAK drawing

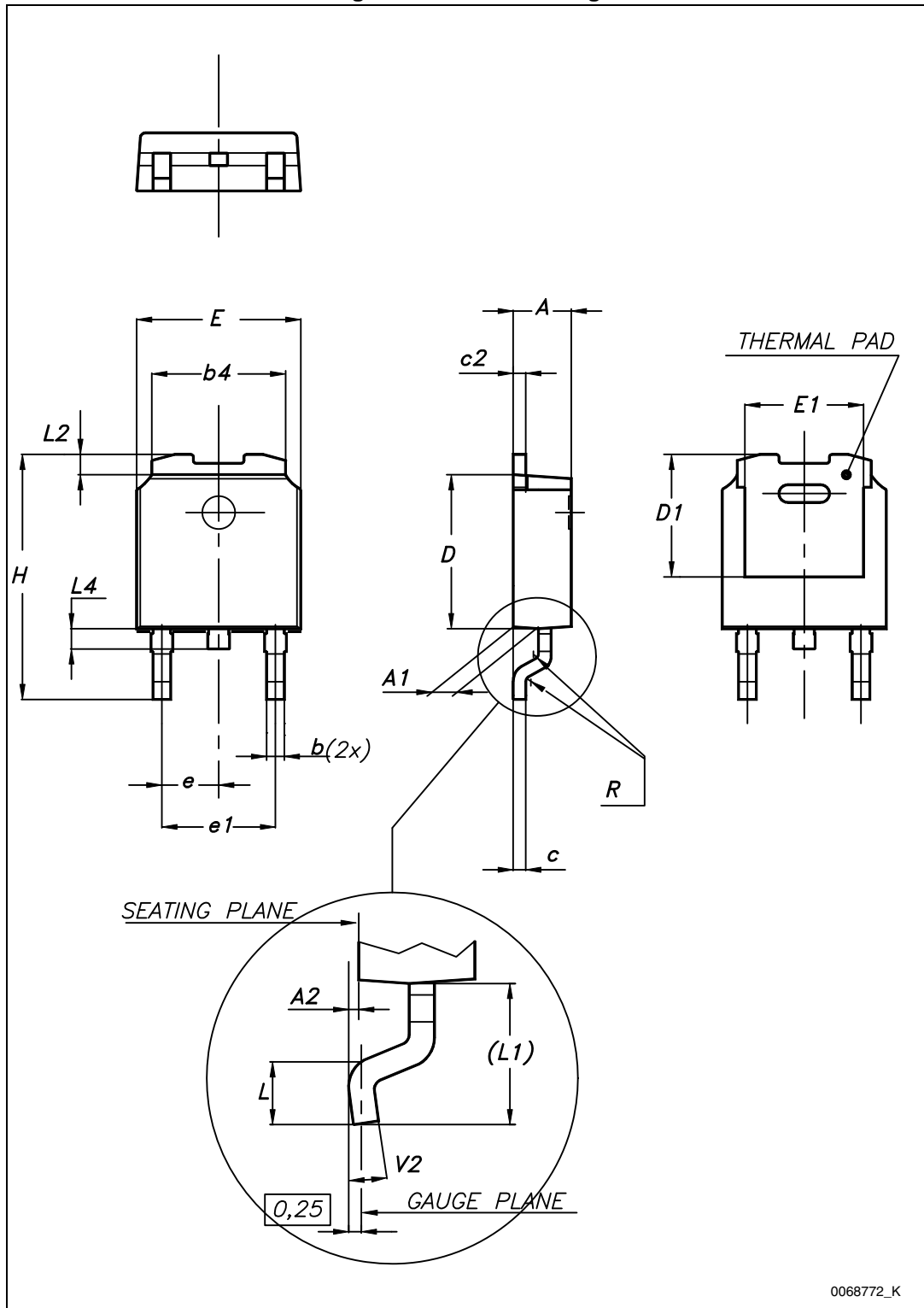
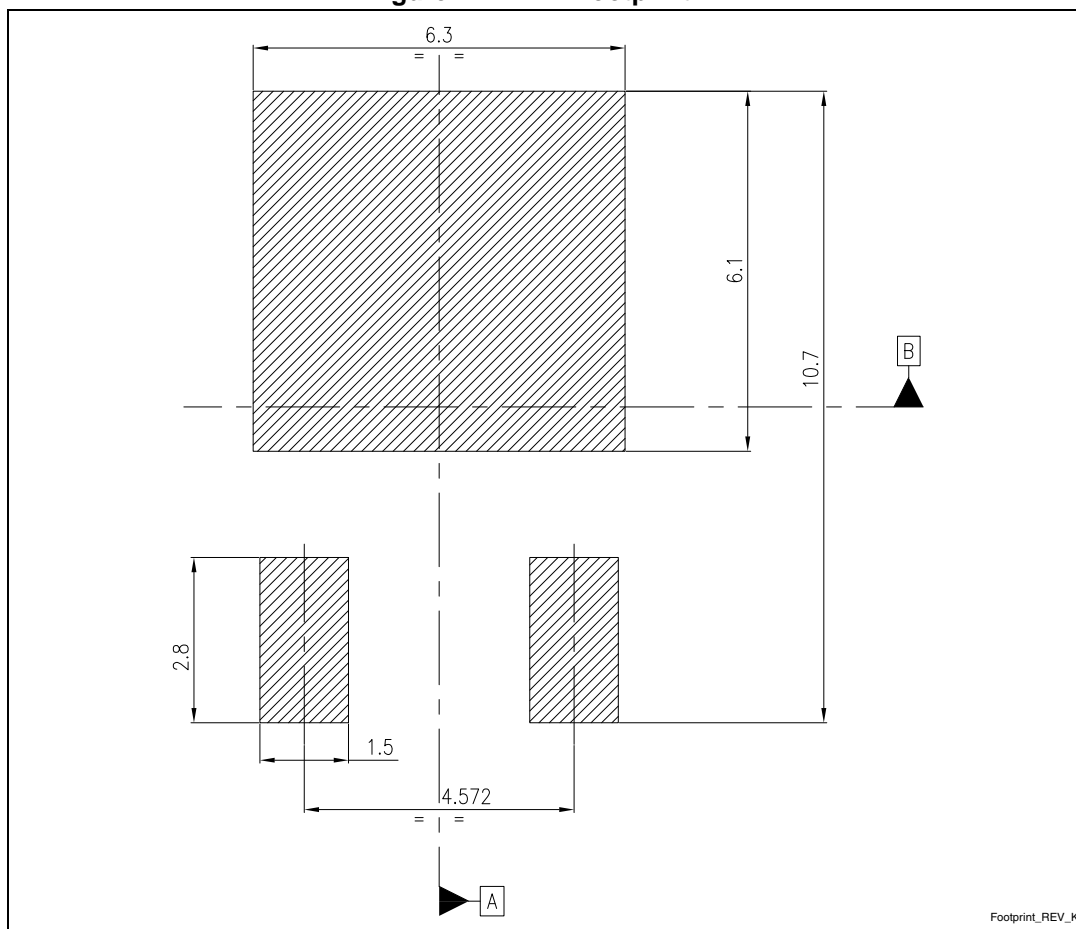




Figure 24. DPAK footprint (a)



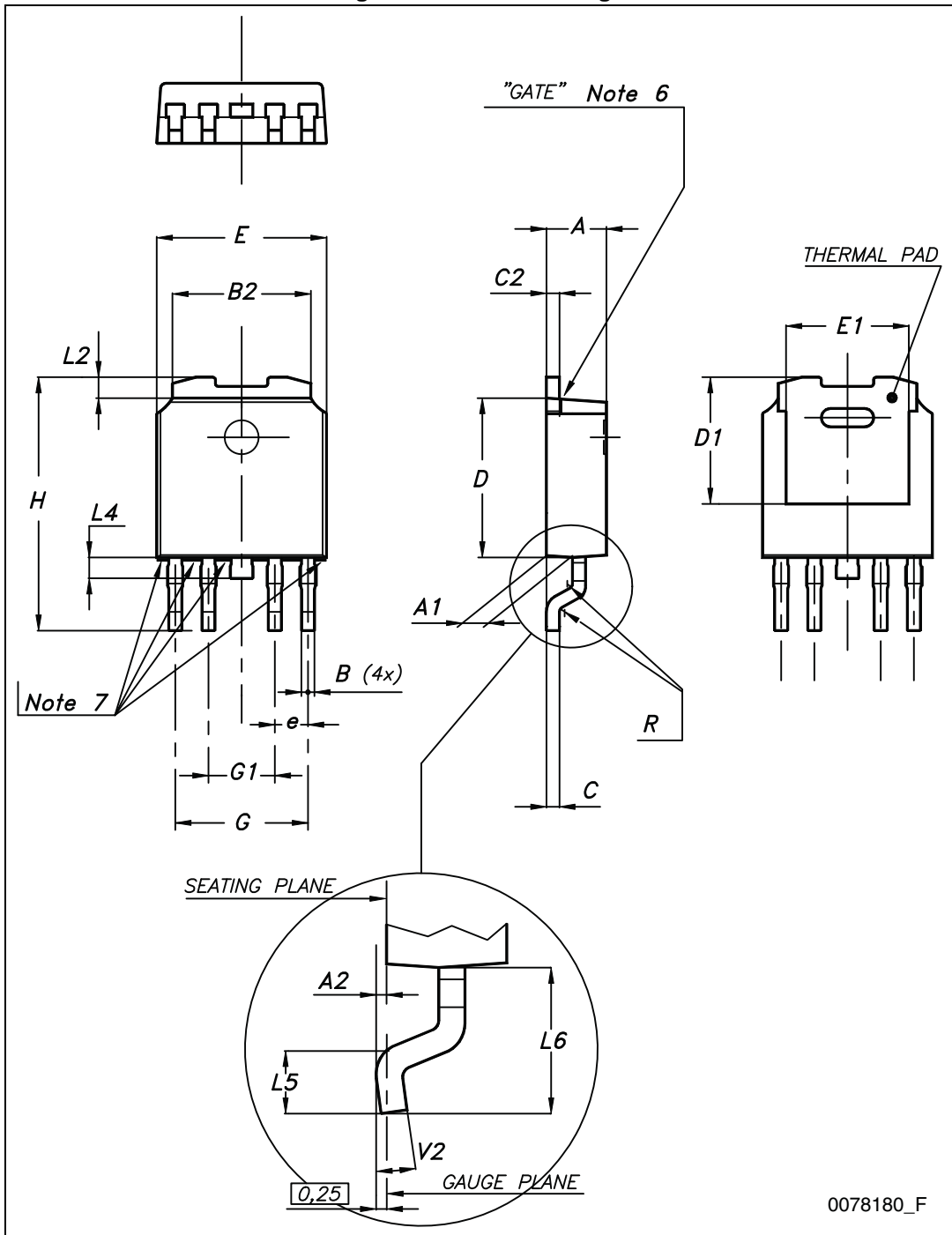
Footprint\_REV\_K

a. All dimensions are in millimeters

Table 10. PPAK mechanical data

Dim.	mm		
	Min.	Typ.	Max.
A	2.2		2.4
A1	0.9		1.1
A2	0.03		0.23
B	0.4		0.6
B2	5.2		5.4
C	0.45		0.6
C2	0.48		0.6
D	6		6.2
D1		5.1	
E	6.4		6.6
E1		4.7	
e		1.27	
G	4.9		5.25
G1	2.38		2.7
H	9.35		10.1
L2		0.8	1
L4	0.6		1
L5	1		
L6		2.8	
R		0.20	
V2	0°		8°

Figure 25. PPAK drawings



0078180\_F

Table 11. P<sup>2</sup>PAK mechanical data

Dim.	mm		
	Min.	Typ.	Max.
A	4.30		4.80
A1	2.40		2.80
A2	0.03		0.23
b	0.80		1.05
c	0.45		0.60
c2	1.17		1.37
D	8.95		9.35
D2		8	
E	10		10.40
E1		8.5	
e	3.20		3.60
e1	6.60		7
L	13.70		14.50
L2	1.25		1.40
L3	0.90		1.70
L5	1.55		2.40
R		0.40	
V2	0°		8°

Figure 26. P<sup>2</sup>PAK drawings

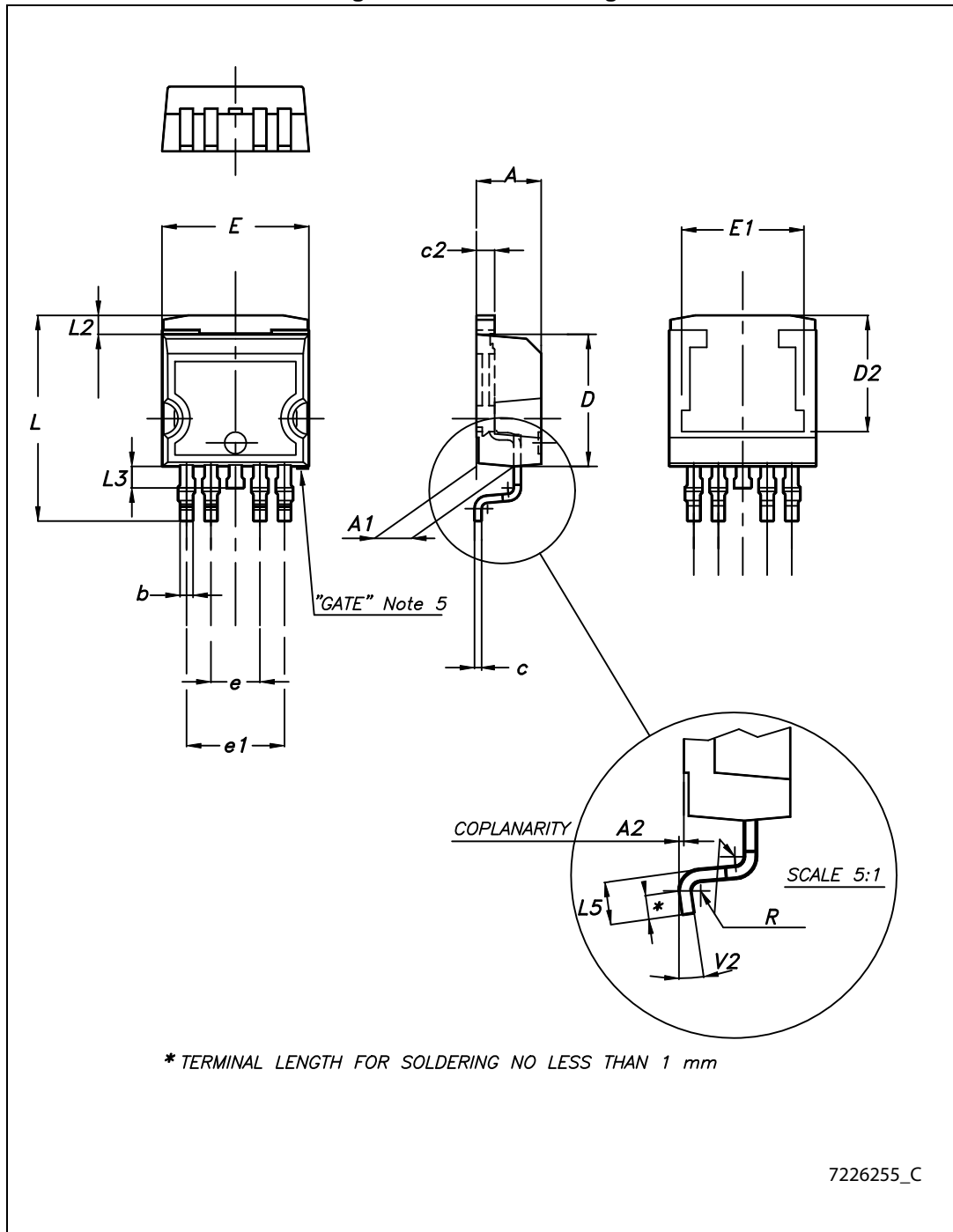
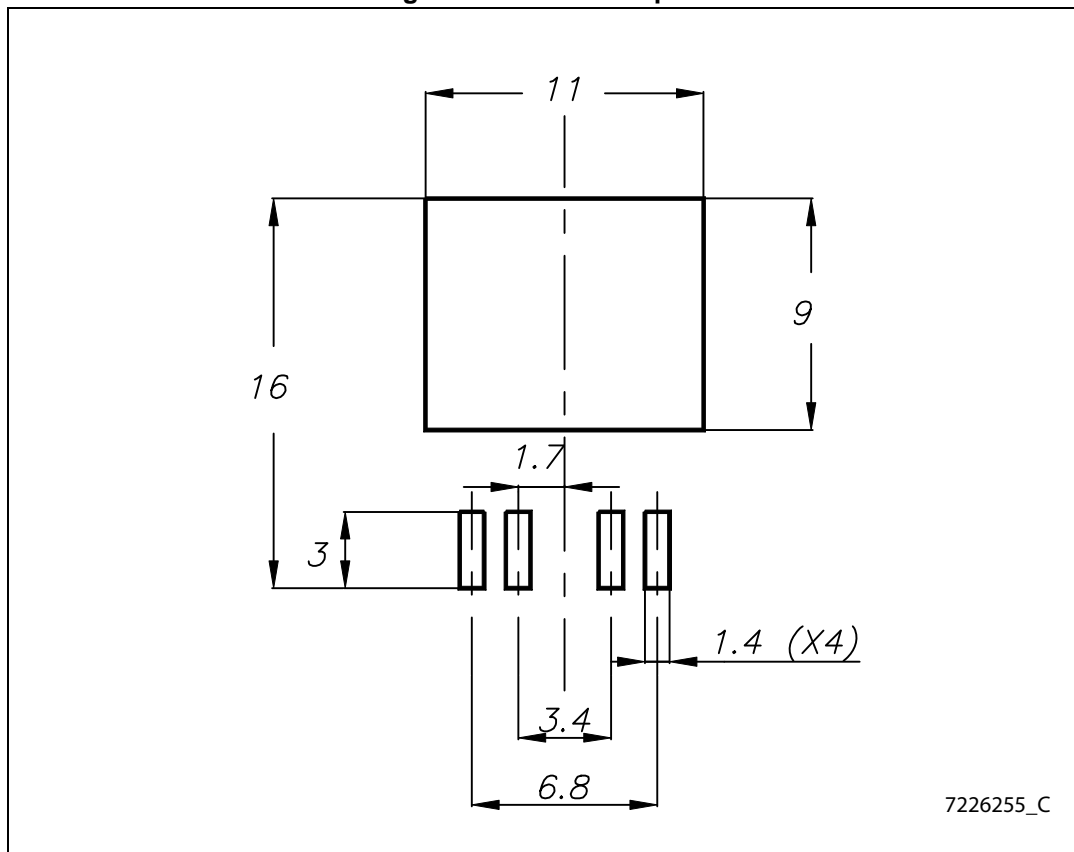


Figure 27. P<sup>2</sup>PAK footprint



7226255\_C

## 8 Packaging mechanical data

Table 12. PPAK and DPAK tape and reel mechanical data

Tape			Reel		
Dim.	mm		Dim.	mm	
	Min.	Max.		Min.	Max.
A0	6.8	7	A		330
B0	10.4	10.6	B	1.5	
B1		12.1	C	12.8	13.2
D	1.5	1.6	D	20.2	
D1	1.5		G	16.4	18.4
E	1.65	1.85	N	50	
F	7.4	7.6	T		22.4
K0	2.55	2.75			
P0	3.9	4.1	Base qty.		2500
P1	7.9	8.1	Bulk qty.		2500
P2	1.9	2.1			
R	40				
T	0.25	0.35			
W	15.7	16.3			

Figure 28. Tape for PPAK and DPAK

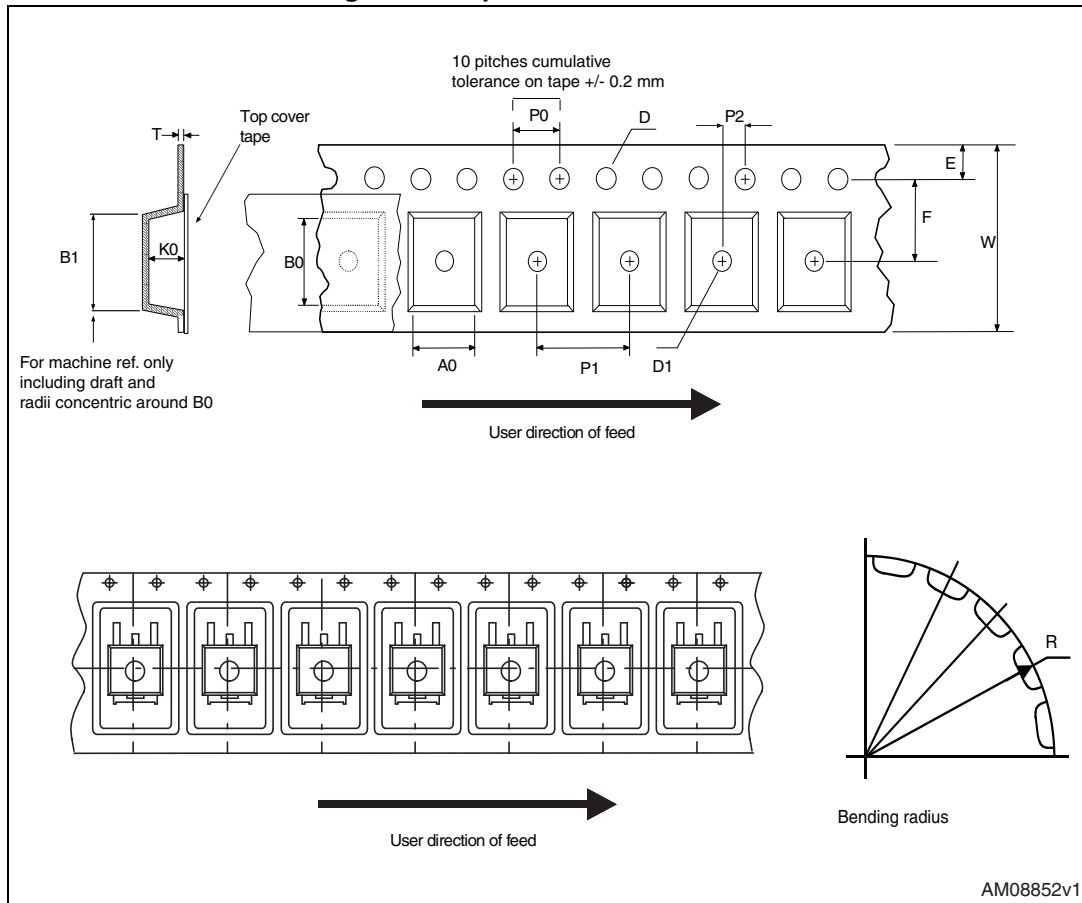


Figure 29. Reel for PPAK and DPAK

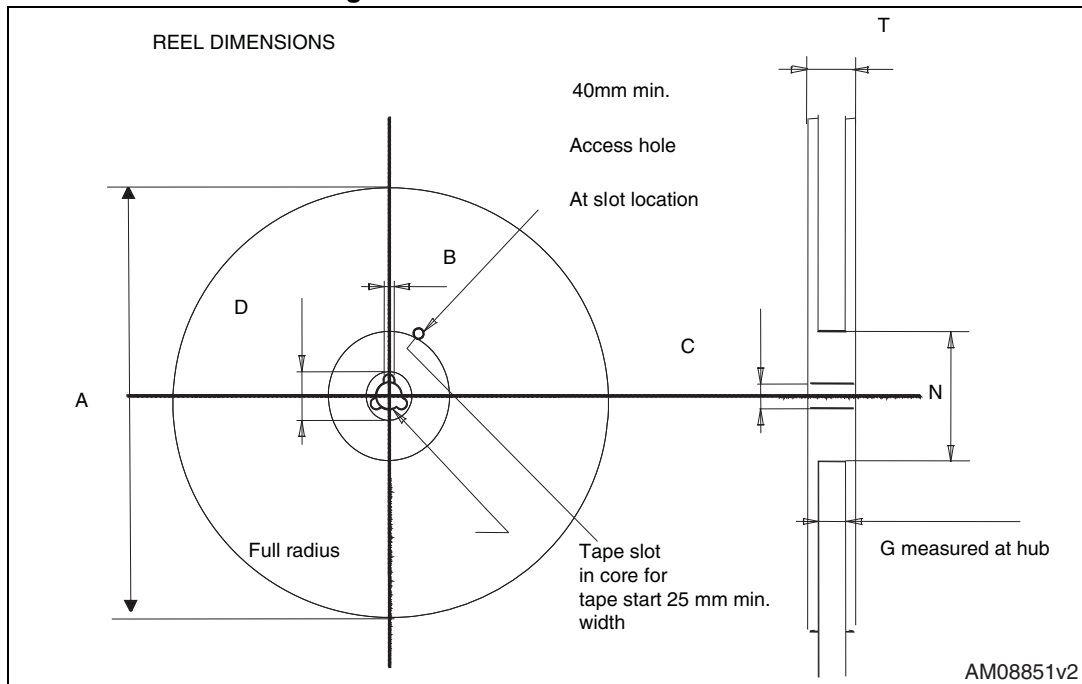
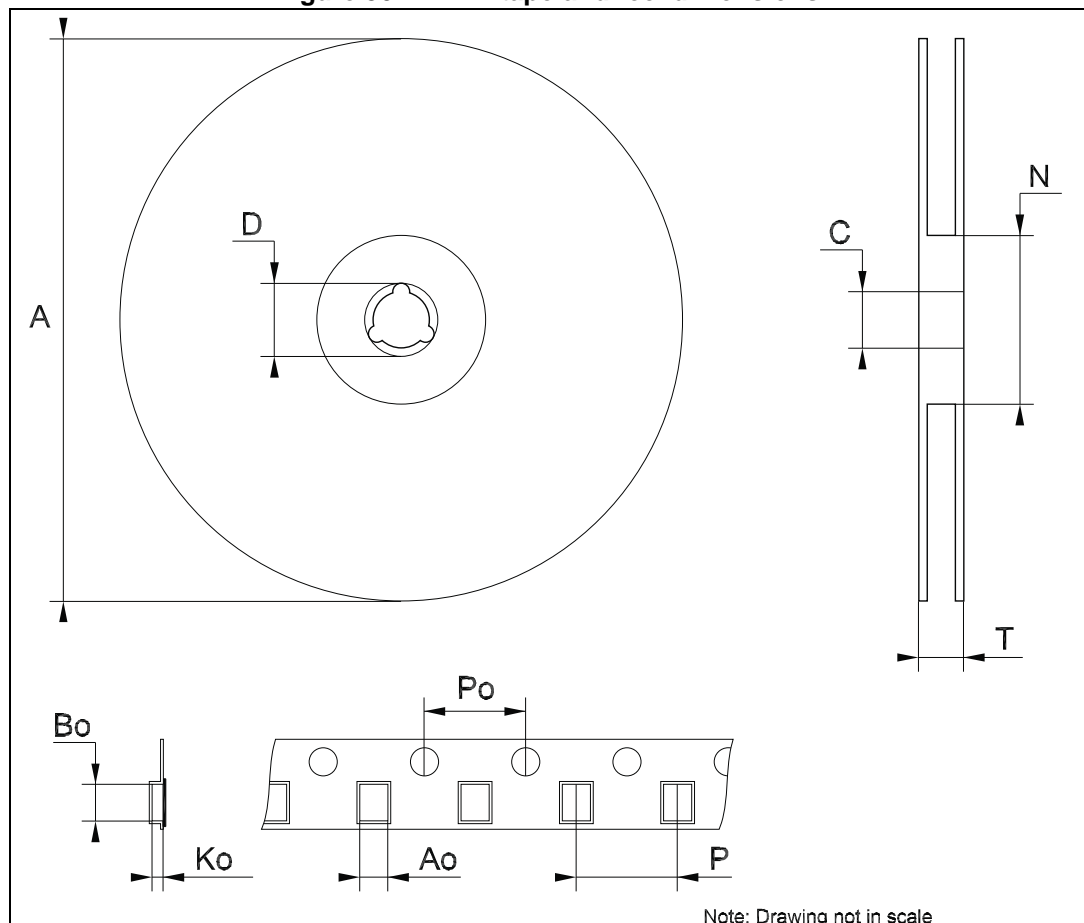




Table 13. P<sup>2</sup>PAK tape and reel mechanical data

Dim.	mm		
	Min.	Typ.	Max.
A			180
C	12.8	13	13.2
D	20.2		
N	60		
T			14.4
Ao	10.50	10.6	10.70
Bo	15.70	15.80	15.90
Ko	4.80	4.90	5.00
Po	3.9	4.0	4.1
P	11.9	12.0	12.1

Figure 30. P<sup>2</sup>PAK tape and reel dimensions



## 9 Revision history

**Table 14. Document revision history**

Date	Revision	Changes
17-Jun-2004	5	Add figures 20 and 21, PPAK, TO-220 and TO-220FP mechanical data updated.
19-Jul-2004	6	Remove Package TO-220FP4.
08-Nov-2004	7	Mistake Figure 7.
21-Mar-2005	8	Add $V_O$ and $V_{INH}$ on Table 2.
21-Oct-2005	9	Order Codes Has Been Updated.
17-Oct-2006	10	Add new package P <sup>2</sup> PAK.
13-Nov-2006	11	Add row $T_{SHDN}$ on tables of the electrical characteristics.
11-May-2007	12	Order codes updated.
15-Feb-2008	13	Added: <a href="#">Table 1 on page 1</a> .
28-Jul-2009	14	Modified: <a href="#">Table 1 on page 1</a> .
22-Sep-2010	15	Modified: <a href="#">Table 1 on page 1</a> .
27-Oct-2010	16	Updated: DPAK mechanical data <a href="#">on page 25</a> .
07-May-2012	17	Modified: pin connections for PPAK, P <sup>2</sup> PAK and DPAK <a href="#">Figure 3 on page 4</a> .
06-Sep-2012	18	Updated: figure for P <sup>2</sup> PAK in cover page.
30-Dec-2013	19	Changed the LD29150XX to LD29150. Updated: Description in cover page. Updated <a href="#">Section 5: Electrical characteristics</a> and <a href="#">Section 7: Package mechanical data</a> . Added <a href="#">Section 8: Packaging mechanical data</a> . Minor text changes.

**Please Read Carefully:**

Information in this document is provided solely in connection with ST products. STMicroelectronics NV and its subsidiaries ("ST") reserve the right to make changes, corrections, modifications or improvements, to this document, and the products and services described herein at any time, without notice.

All ST products are sold pursuant to ST's terms and conditions of sale.

Purchasers are solely responsible for the choice, selection and use of the ST products and services described herein, and ST assumes no liability whatsoever relating to the choice, selection or use of the ST products and services described herein.

No license, express or implied, by estoppel or otherwise, to any intellectual property rights is granted under this document. If any part of this document refers to any third party products or services it shall not be deemed a license grant by ST for the use of such third party products or services, or any intellectual property contained therein or considered as a warranty covering the use in any manner whatsoever of such third party products or services or any intellectual property contained therein.

**UNLESS OTHERWISE SET FORTH IN ST'S TERMS AND CONDITIONS OF SALE ST DISCLAIMS ANY EXPRESS OR IMPLIED WARRANTY WITH RESPECT TO THE USE AND/OR SALE OF ST PRODUCTS INCLUDING WITHOUT LIMITATION IMPLIED WARRANTIES OF MERCHANTABILITY, FITNESS FOR A PARTICULAR PURPOSE (AND THEIR EQUIVALENTS UNDER THE LAWS OF ANY JURISDICTION), OR INFRINGEMENT OF ANY PATENT, COPYRIGHT OR OTHER INTELLECTUAL PROPERTY RIGHT.**

**ST PRODUCTS ARE NOT DESIGNED OR AUTHORIZED FOR USE IN: (A) SAFETY CRITICAL APPLICATIONS SUCH AS LIFE SUPPORTING, ACTIVE IMPLANTED DEVICES OR SYSTEMS WITH PRODUCT FUNCTIONAL SAFETY REQUIREMENTS; (B) AERONAUTIC APPLICATIONS; (C) AUTOMOTIVE APPLICATIONS OR ENVIRONMENTS, AND/OR (D) AEROSPACE APPLICATIONS OR ENVIRONMENTS. WHERE ST PRODUCTS ARE NOT DESIGNED FOR SUCH USE, THE PURCHASER SHALL USE PRODUCTS AT PURCHASER'S SOLE RISK, EVEN IF ST HAS BEEN INFORMED IN WRITING OF SUCH USAGE, UNLESS A PRODUCT IS EXPRESSLY DESIGNATED BY ST AS BEING INTENDED FOR "AUTOMOTIVE, AUTOMOTIVE SAFETY OR MEDICAL" INDUSTRY DOMAINS ACCORDING TO ST PRODUCT DESIGN SPECIFICATIONS. PRODUCTS FORMALLY ESCC, QML OR JAN QUALIFIED ARE DEEMED SUITABLE FOR USE IN AEROSPACE BY THE CORRESPONDING GOVERNMENTAL AGENCY.**

Resale of ST products with provisions different from the statements and/or technical features set forth in this document shall immediately void any warranty granted by ST for the ST product or service described herein and shall not create or extend in any manner whatsoever, any liability of ST.

ST and the ST logo are trademarks or registered trademarks of ST in various countries.

Information in this document supersedes and replaces all information previously supplied.

The ST logo is a registered trademark of STMicroelectronics. All other names are the property of their respective owners.

© 2013 STMicroelectronics - All rights reserved

STMicroelectronics group of companies

Australia - Belgium - Brazil - Canada - China - Czech Republic - Finland - France - Germany - Hong Kong - India - Israel - Italy - Japan - Malaysia - Malta - Morocco - Philippines - Singapore - Spain - Sweden - Switzerland - United Kingdom - United States of America

[www.st.com](http://www.st.com)

