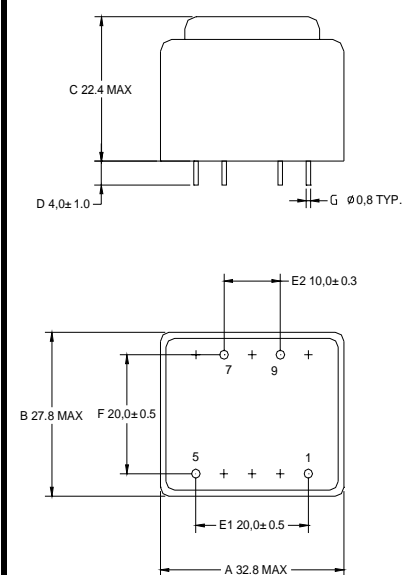
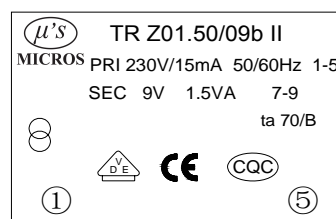
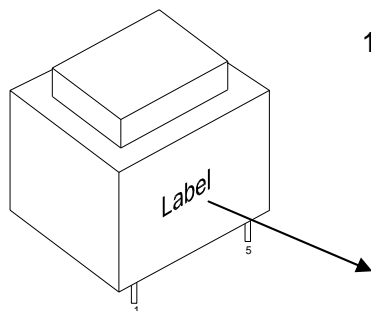
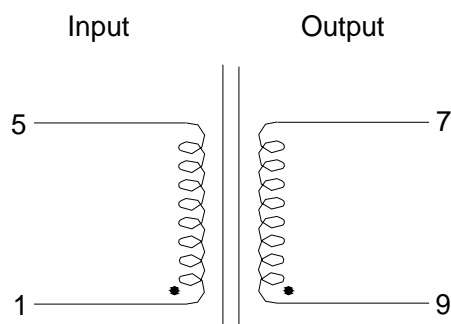


TR Z01.50/09b II

OUTLINE DRAWING: UNIT: mm



SCHEMATIC:



ELECTRICAL SPECIFICATION:

ITEM	TERMINAL	SPECIFICATION	TEST CONDITION	TEST INSTRUMENTS
EXCITATION CURRENT (mA)	1--5	12 MAX	Input: (1--5) 230V / 50Hz	GDW 4033A
LOSS POWER (W)	1--5	0.9 MAX		
Load Voltage (V)	7--9	9.3 ±10% @ 167mA		
No-Load Voltage (V)	7--9	14.5 Max		
RESISTANCE (Ω)	1--5	3100±10%	Ta=25°C	TH2512B
	7--9	15±15%		
INSULATION RESISTANCE	P--S	100MΩ MIN	DC500V /1min	CS5603
HI-POT	P--S	4200V 1mA 1s	50Hz	