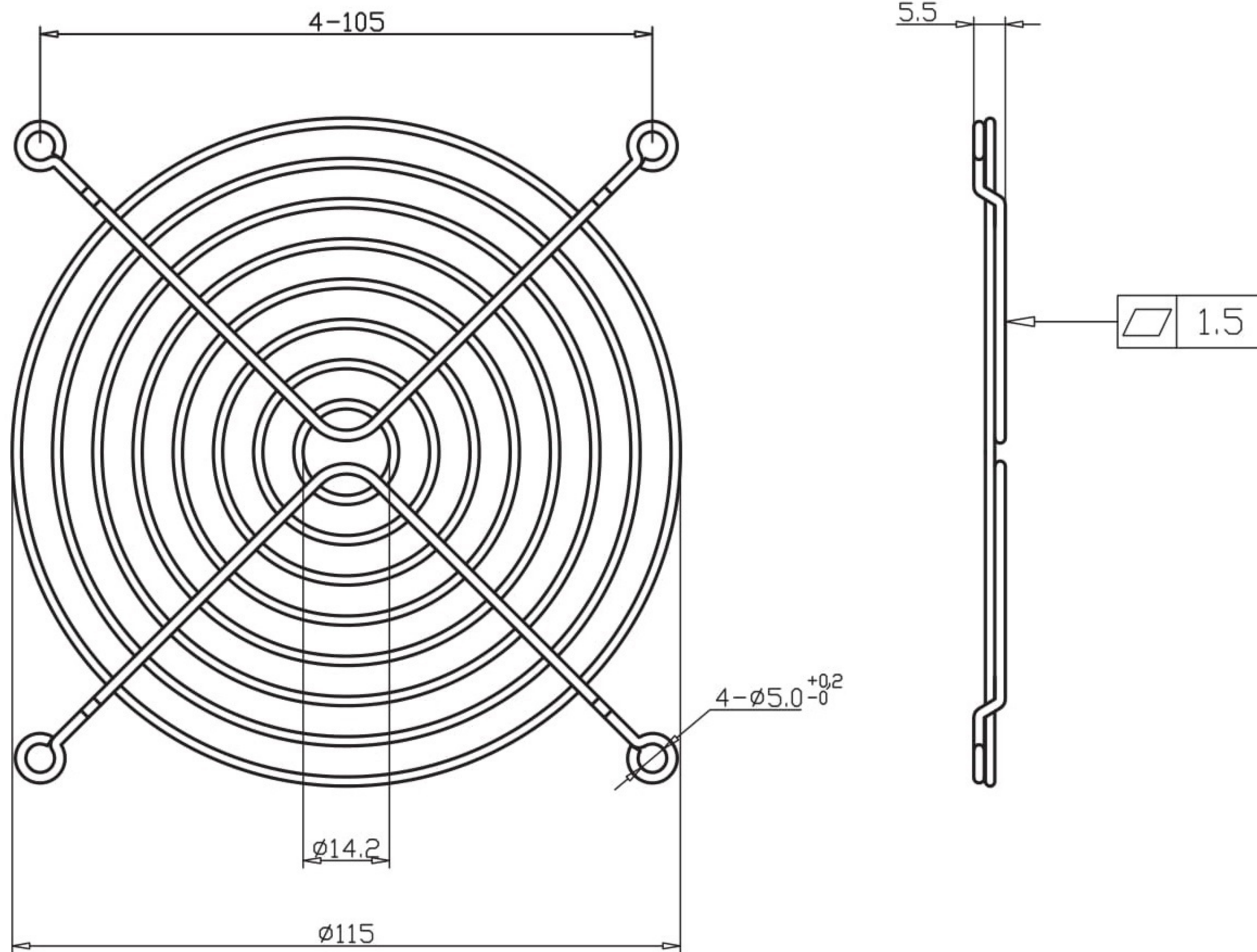


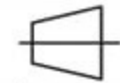


PY120-8HA



- (NOTES):
1. BL1-195<C1008>;
(MATERIAL:C1008 BRIGHT BASIC WIRE)
 2. (FINISH:BRIGHT NICKEL CHROME PLATING)
 3. (1) (RING): $\phi 1.8$ MM
(2) (RIB): $\phi 1.8$ MM
 4. (TENSILE STRENGTH TEST: FRAME JOINT CAN BEAR 20 KG TENSILE)
 5. (GENERAL TOLERANCE UNLESS NOTED IS ± 0.5 mm);
 6. (UNITS): MM ;
 7. ROHS . (RoHS COMPLIANT)

	DO NOT SCALE			 	CUSTOMER		
	DRAWN BY	CHECKED	APPROVED	SCALE	1/1	PART NO.	PY120-8HA
				DRAWING DATE		MATERIAL	SEE NOTES
						FINISH	SEE NOTES