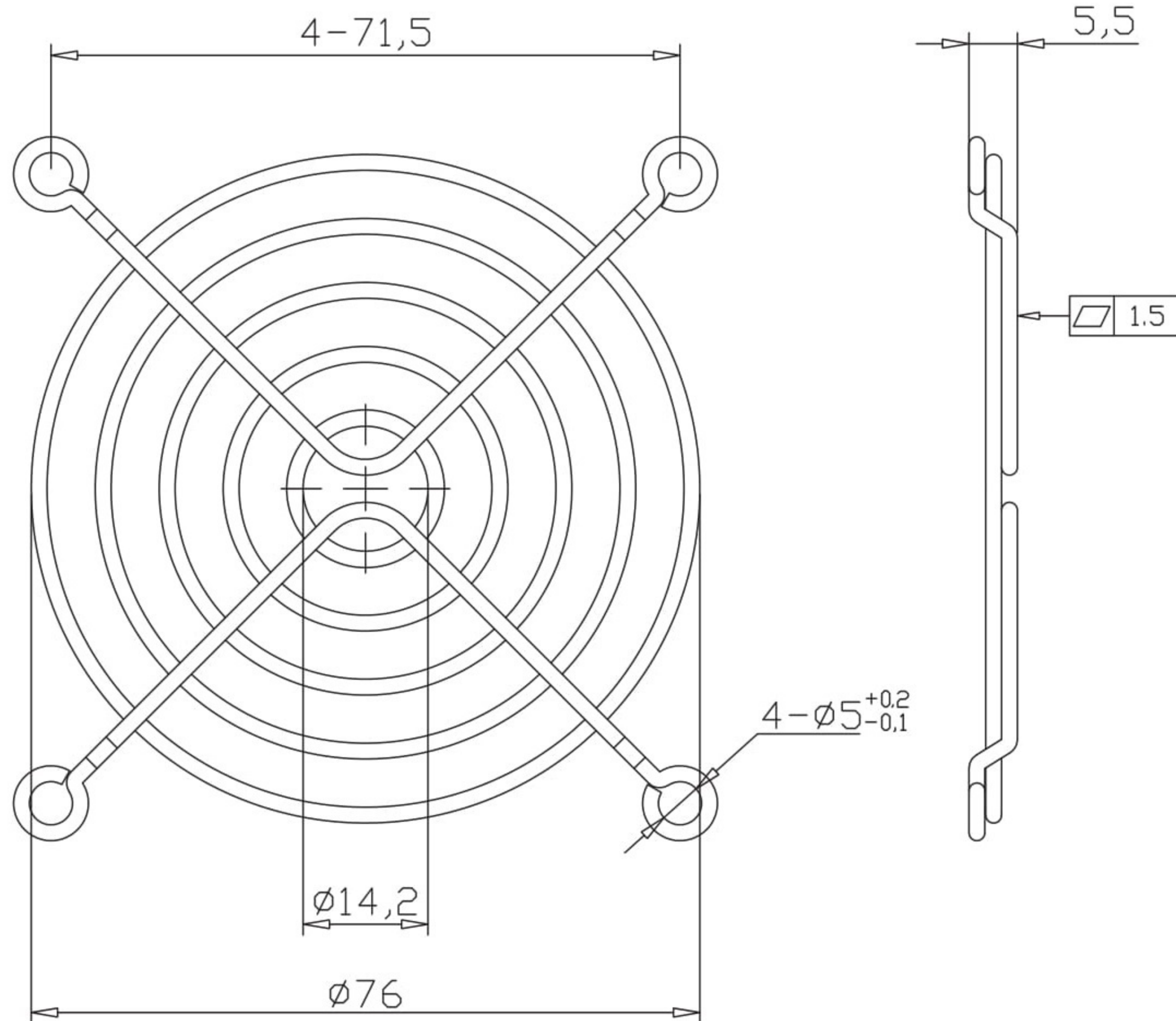




PY80-5HA



(NOTES):

1. BL1-195<C1008>;
(MATERIAL:C1008 BRIGHT BASIC WIRE)
2. (FINISH:BRIGHT NICKEL CHROME PLATING)
3. (1) (RING): Ø1.8 MM
(2) (RIB): Ø1.8 MM
4. (TENSILE STRENGTH TEST: FRAME JOINT CAN BEAR 20 KG TENSILE)
5. (GENERAL TOLERANCE UNLESS NOTED IS ± 0.5mm);
6. (UNITS): MM ;
7. ROHS . (RoHS COMPLIANT)

	DO NOT SCALE				CUSTOMER	G90-16
	DRAWN BY	CHECKED	APPROVED	SCALE 1/1	PART NO.	PY80-5HA
				DRAWING DATE	MATERIAL	SEE NOTES
					FINISH	SEE NOTES