

* 所有原材料、生产制程、电键必须符合ROHS要求

Specification

MATERIAL:

Insulator: High Temperature Thermoplastic; UL 94V-0, ICP
 Contact: Copper Alloy T-0.15
 SHELL: SUS T-0.15

PLATING:

Contact: Plated 50u' Ni Overall
 Plated Au Selective Contact Area
 Plated 30u' - 70u' Sn Over Ni On Solder Area
 Shell: (1) Plated 30u' Ni Overall min,
 Plated Au Selective Contact Area
 Shell: (2) Plated 30u' Ni Overall min,
 Plated 30u' Ni Selective Contact Area

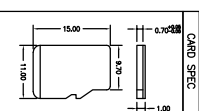
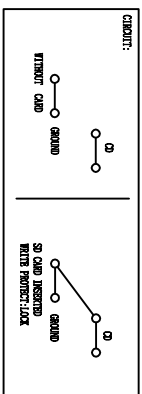
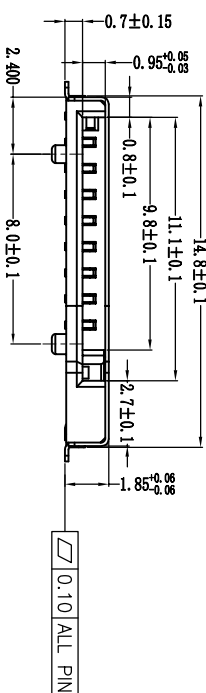
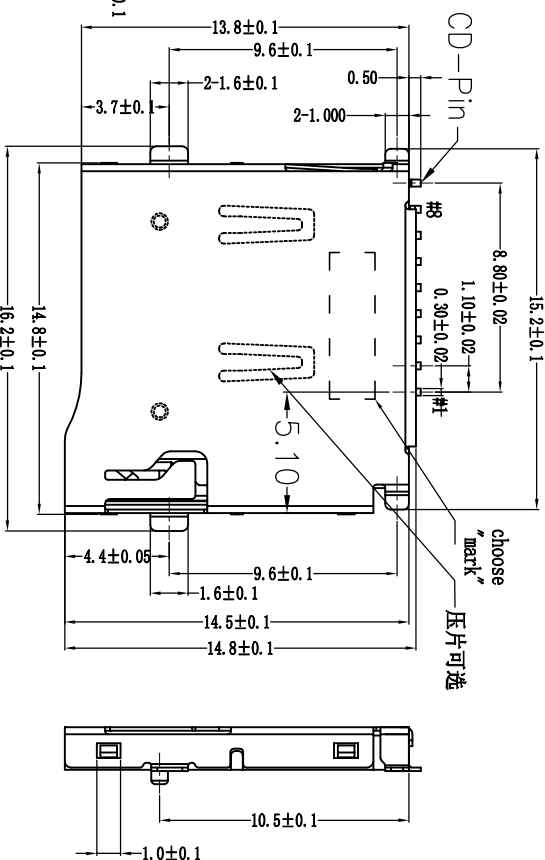
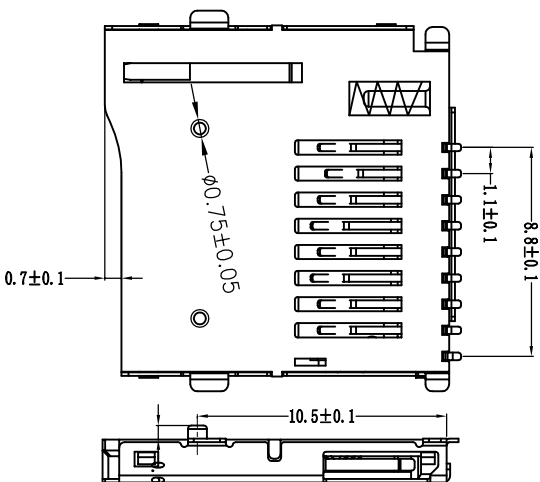
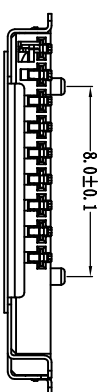
Electrical:

Current Rating :0.5mA
 Voltage Rating :5V AC/DC
 Ambient Temperature Range : -40°C~+85°C
 Storage Temperature Range : -25°C~+85°C
 Ambient Humidity Range :95% R. H. Max.
 Contact Resistance:100mΩmax.
 Insulation Resistance:1000MΩmin./500VDC
 Mating Cycles:5,000 Insertions
 产品耐温温度: 260°C

PART NUMBER:

001 1 X A A X 09 A

- A:外壳表面无压片
- B:外壳表面有压片
- C:外壳表面有压片, 脚长0.8
- D:外壳表面有压片, 脚长1.0
- E:外壳表面有压片, 卡外脚长2.10mm
- F:卡座表面无压片, 无柱
- G:卡座表面有压片, 无柱
- H:卡座表面有压片, 脚长0.1mm
- I:功能区域镀金1u', 锡层Cold Flash (符合ROHS制程)
- J:功能区域镀金5u', 锡层Cold Flash (符合ROHS制程)
- S:功能区域镀金Cold Flash 焊接脚身脚100u' (符合ROHS制程)



DIMENSIONS UNIT: mm
 UNLESS OTHERWISE SPECIFIABLE
 DIMENSION TOLERANCE
 I.X: ± 0.30
 I.XX: ± 0.25
 I.XXX: ± 0.10
 ANGULAR: ± 1°

东莞市捷圣泰电子科技有限公司
 Dongguan JASSTA Electronic Technology Co., Ltd.

PRODUCT NAME:	T-FLASH 卡座PUSH/PUSH	DATE:	2014/08/10
PRODUCT NO.:	ATFFS159A01BR006	DATE:	2014/08/11
DRAWING NO.:		DATE:	2014/08/11

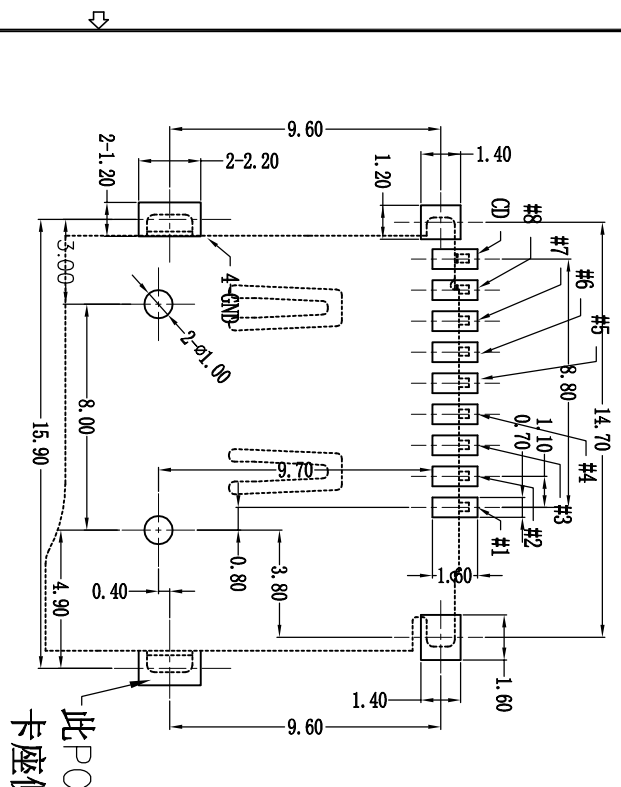


SCALE:	1:1	REV.:	B	PIECES:	1 of 2
--------	-----	-------	---	---------	--------

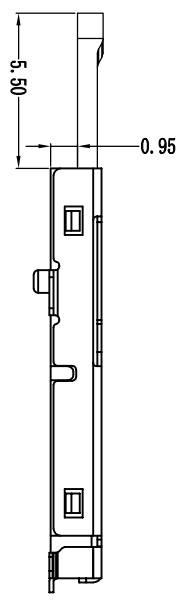
REVISION NO.	1	DCR NO.	2	DESCRIPTION	3	MARK	4	DATE	5	6
--------------	---	---------	---	-------------	---	------	---	------	---	---

* 所有原材料, 生产制程, 电镀必须符合ROHS要求

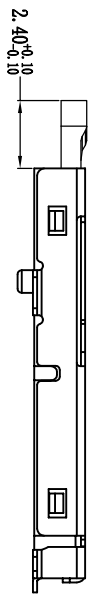
RECOMMEND PCB LAYOUT:
(Unit:mm . X ± 0.15 . XX ± 0.05 . XXX ± 0.02)



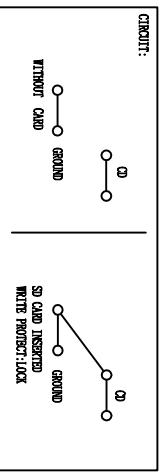
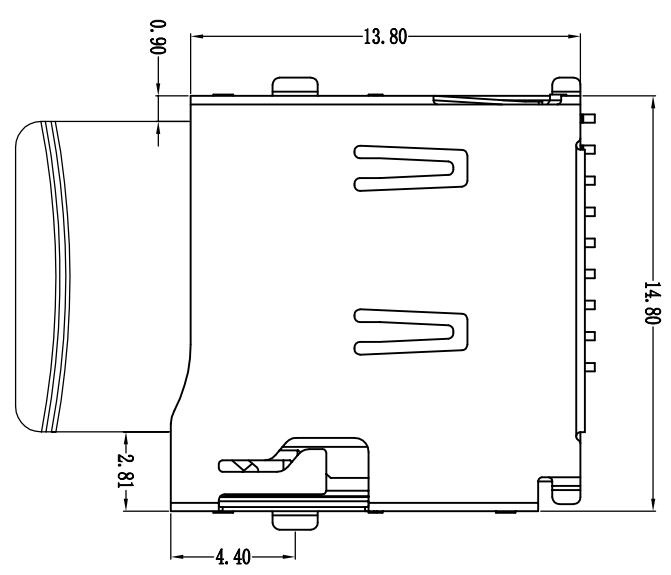
T-FLASH Card Insert Drawing:



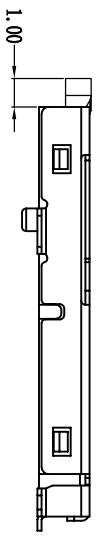
Micro SD Card -Un Lock



Micro SD Card -Lock



PIN NO.	PIN ASSIGNMENT
1#	DAT2 信号
2#	CD/DAT3 信号
3#	CMD 数据输入
4#	VDD 电压/电源
5#	CLK 时钟
6#	VSS 接地
7#	DAT0 信号
8#	DAT1 信号
9#	CD 侦测端



Micro SD Card -Push

<p>东莞市捷圣泰电子科技有限公司 Dongguan JASSTA Electronic Technology Co., Ltd.</p>		<p>PRODUCT NAME : T-FLASH 卡座PUSH/PUSH PRODUCT NO. : ATFFS159A01BR006 DRAWING NO. :</p>		<p>DATE: 2014/08/10 CHECK: COCO DATE: 2014/08/11 DRAWN: JANY DATE: 2014/08/11 SCALE: 1:1 DWG. NO.: JEPF REV.: B PAGE: 2 of 2</p>	
<p>DIMENSIONS UNIT: UNLESS OTHERWISE SPECIFIABLE DIMENSION TOLERANCE L.X ± 0.30 L.XXX ± 0.25 ANGULAR: ± 1°</p>		<p>DATE: 2014/08/11</p>		<p>DATE: 2014/08/11</p>	
REVISION NO.	REV. NO.	DESCRIPTION		DATE	DATE
1	2	3		4	5