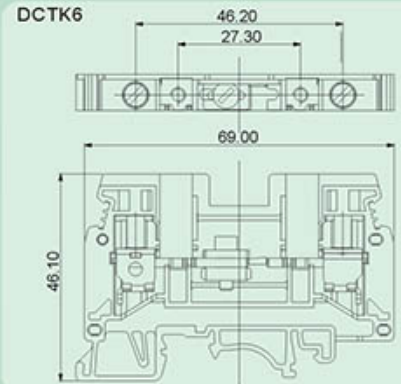


DCTK6

- 采用螺钉联接技术, 接线方便牢固。
- The connection of screw is used to secure the connection.
- 分断接线端子, 通过移动滑块实现重要电路转换。
- Disconnect terminal blocks, with the movement of movable blocks, the transition of circuit can be realized.



技术参数 Technical data

APPROVAL: CE

型号 Model	线径 Wire range (AWG/mm ²)	线数 Poles	IEC60947技术参数 (IEC60947 data sheet)		UL1059技术参数 (UL1059 data sheet)	
			电压(V) Rated voltage	电流(A) Rated current	电压(V) Rated voltage	电流(A) Rated current
DCTK6	20-8/0.5-10	01P	630	41	300	45

应用行业 Application

工业自动化, 电力电气等行业。
Industrial automation, electric power.



产品包装方式 Packing

Product model	Pcs./Pkt.
DCTK6	25

附件 Accessory

FBXX-RTK/S



型号对照 Cross reference

DEGSON	同行1/Competitor1	同行2/Competitor2
DCTK6	MKDS1/X-3.5HT BK	-

产品订货 How to order

DCTK6	-	0	1	P	-	1	1	-	0	0	A(H)
Series NO.		NO. of pole							通用色/General Color		
		1	2			1			Grey	PANTONE 430C	DEGSON 01