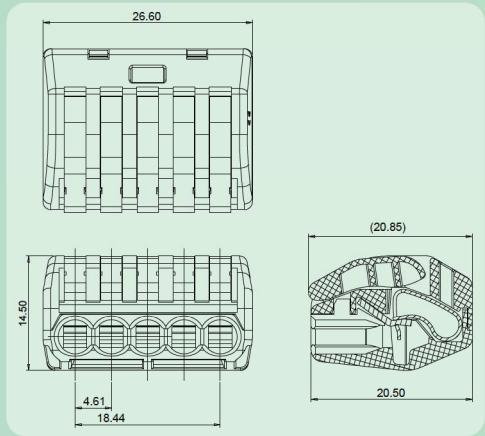
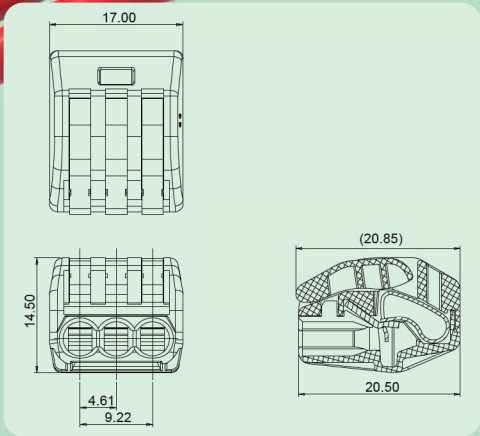
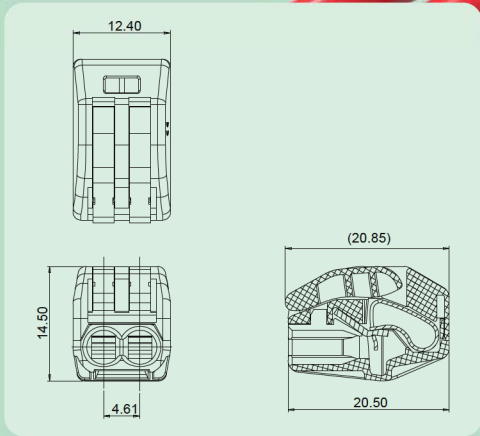


DG223-4.61

- Compact splicing connector;
- with operating levers.



Technical data

APPROVAL: CE

Model	Wire range (AVG/mm ²)	Poles	IEC60998 data sheet		UL486C data sheet	
			Rated voltage(V)	Rated current(A)	Rated voltage(V)	Rated current(A)
DG223-4.61	28-12/0.2-2.5	02/03/05P	450	24	600	20

Application

LED Lighting



Packing

Product model	Pcs./Pkt.
DG223-4.61-02P	100
DG223-4.61-03P	100
DG223-4.61-05P	100

Cross reference

DEGSON	Competitor1	Competitor2
DG223-4.61	W/222-41X	-

How to order

DG223-4.61 — X X P — 1 Y — 0 0 A(H)
Standard

Series NO. NO. of pole

1 Single pitch
 2 Double pitch

Color
 1 Grey PANTONE 430C
 5 Orange PANTONE 158C