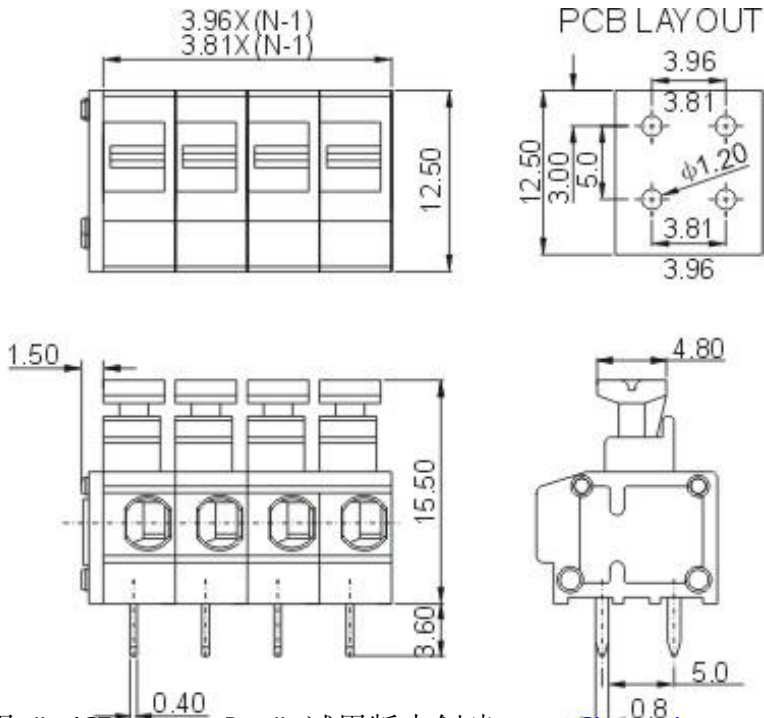
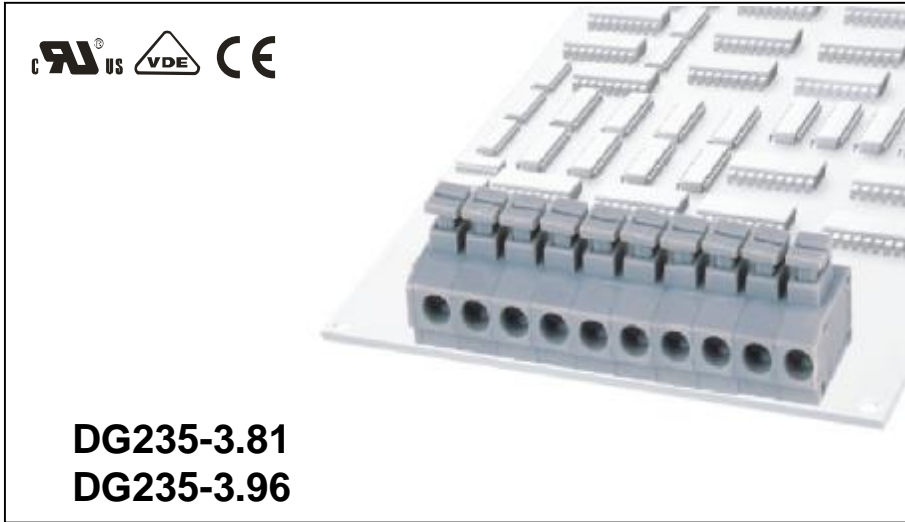




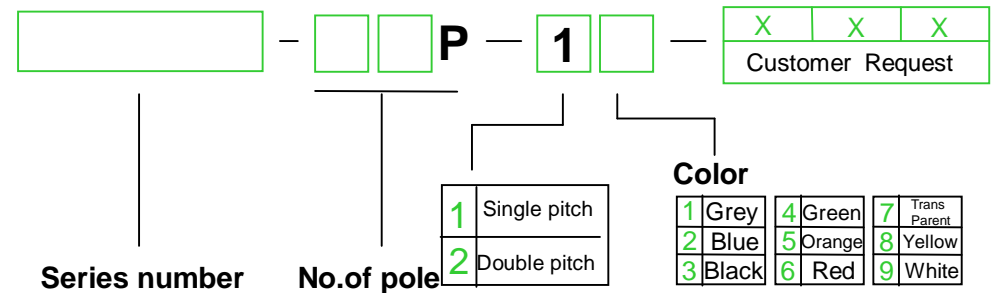
# DEGSON ELECTRONICS CO., LTD.

## Product Specification



<b>Approval</b>		
<b>Electrical</b>		
<b>Standard</b>	<b>UL</b>	<b>IEC</b>
Rated voltage	300V	250V
Rated current	5A	10A
Wire range	20-18AWG	1.5mm <sup>2</sup>
Withstanding voltage	AC2000V/1Min	
<b>Mechanical</b>		
Ambient temperature	-40°C ~ +105 °C	
Strip length	9-10mm	
<b>Dimensions</b>		
Pitch	3.81mm (.150" ) 3.96mm (.156" )	
Poles	1P-XXP	
<b>Material</b>		
Housing	PA66, UL94V-0	
Pin header	Phosphor bronze, Tin plated	
Wire guard	Stainless steel	

### HOW TO ORDER :



	<b>DEGSON ELECTRONICS CO., LTD.</b>
	<b>NAME</b> <b>DG235-3.81, DG235-3.96</b>