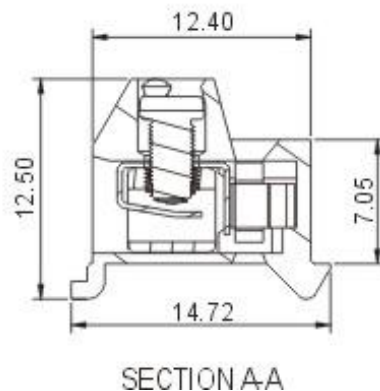
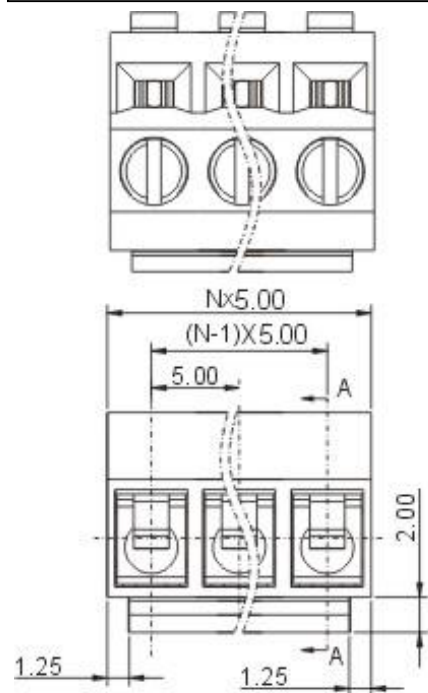






DG331-5.0



APPROVAL		
Electrical		
Standard	UL	IEC
Rated voltage	300V	250V
Rated current	10A	24A
Wire range	28-14AWG	2.5mm ²
Withstanding voltage	AC2000V/1Min	
Mechanical		
Torque	0.5Nm(4.4Lb-In)	
Ambient temperature	-40°C~+105 °C	
Strip length	5-6mm	
Dimensions		
Pitch	5.0mm(.197")	
Poles	2P-20P	
Material		
Housing	PA66,UL94V-0	
Screws	M3.0,steel, Cr ³⁺ Zn-plated	
Contact	Phosphor bronze	
Cage	Brass,Ni plated	

HOW TO ORDER :

DG331-5.0 - **P** - -

X	X	X
Customer Request		

Series number | **No. of pole** | **Color**

1	Single pitch
2	Double pitch

1	Grey	4	Green	7	Trans Parent
2	Blue	5	Orange	8	Yellow
3	Black	6	Red	9	White

 mm (INCH)	 DEGSON ELECTRONICS CO., LTD.
 THROANGLE PROJECTION	NAME DG331-5.0