

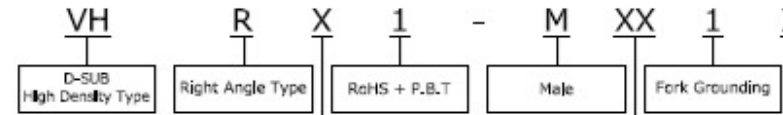
Specifications

Current Rating: 3A AC,DC
 Contact Resistance: 13mΩ Max
 Insulation Resistance: 1000MΩ Min
 Withstanding Voltage: 500V AC/minute
 Temperature Range: -55°C ~ +105°C

Material

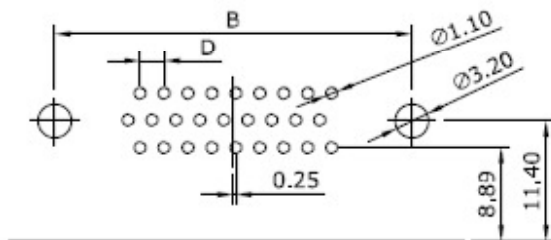
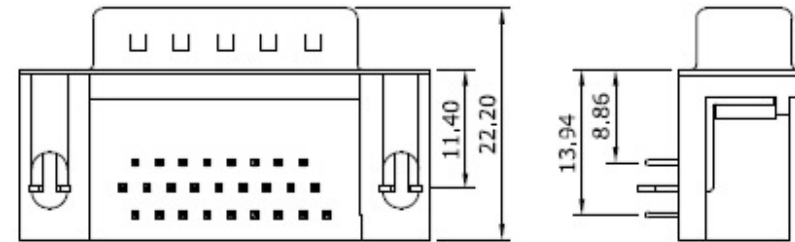
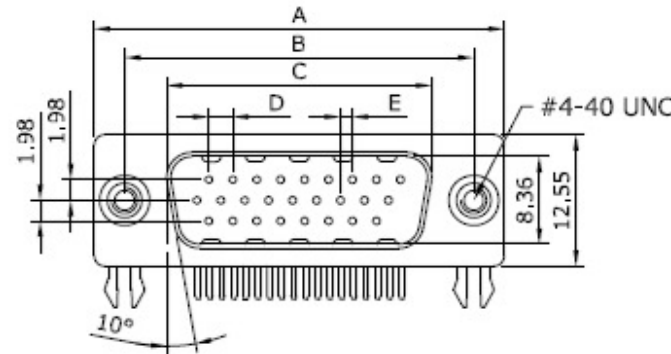
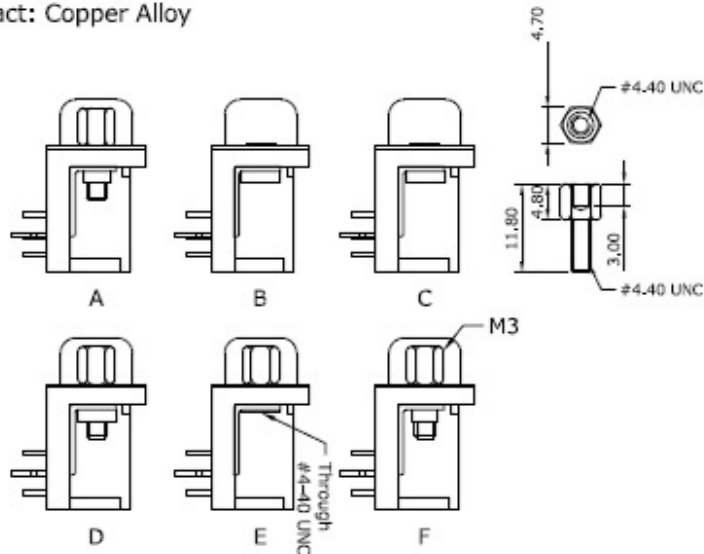
Insulator: P.B.T, UL94V-0
 Contact: Copper Alloy

ORDER INFORMATION




G0:Gold Flash	S0:Selective Flash
G1:Gold 3u"	S1:Selective 3u"
G2:Gold 5u"	S2:Selective 5u"
G3:Gold 10u"	S3:Selective 10u"
G4:Gold 15u"	S4:Selective 15u"
G5:Gold 30u"	S5:Selective 30u"

No. of Contacts	A:Jack Screw Insert, Height=4.8
	B:Rivet
	C:Rivet & Jack Screw Attached
	D:Rivet & Jack Screw Insert, Height=4.8
	E:Front Rivet #4-40+Jack Screw Insert, Height=4.8
	F:Front Rivet M3+Jack Screw, Height=4.8



Recommended PCB Layout
 (PCB TOLERANCE ±0.05)

Positions	A	B	C	D	E
15	30.81	24.99	16.92	2.29	1.145
26	39.14	33.32	25.25	2.29	1.145
44	53.04	47.04	38.96	2.29	1.145
62	69.32	63.50	55.42	2.41	1.205

				品號	VHRX1-MXX1X	日期	2008/07/20
				PART NO.	VHRX1-MXX1X	DATA	
				圖號	VHRX1-MXX1X	繪圖	Sayid
				DRAWING NO.		DRAWN	
				客戶品號		核對	Max
				CUSTOMER P/N		APPROVED	
REV.	DESCRIPTION	DATA	TITLE: D-SUB High Density R/A Type Footprint 7.2mm	REV. A	公差 .X ±0.25 TOLERANCE .XX ±0.20	比例 SCALE	單位 UNIT
					FREE	mm	

