

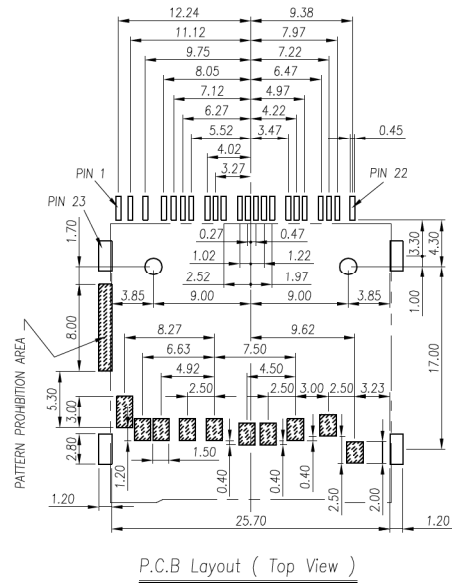
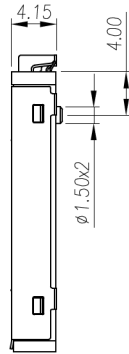
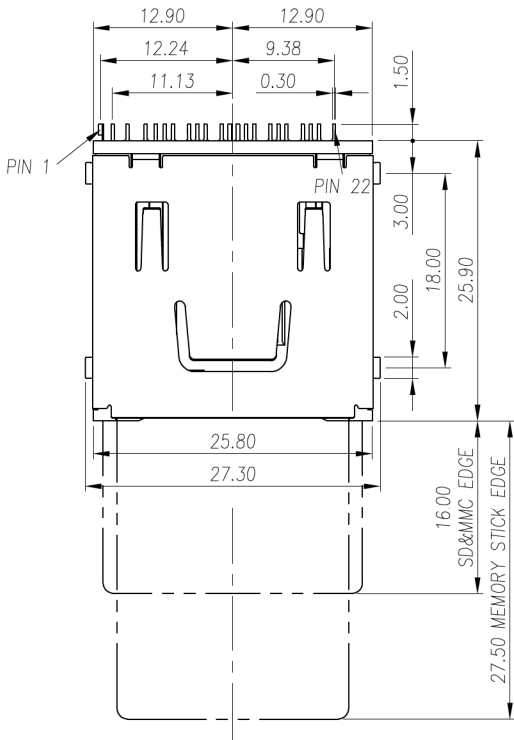
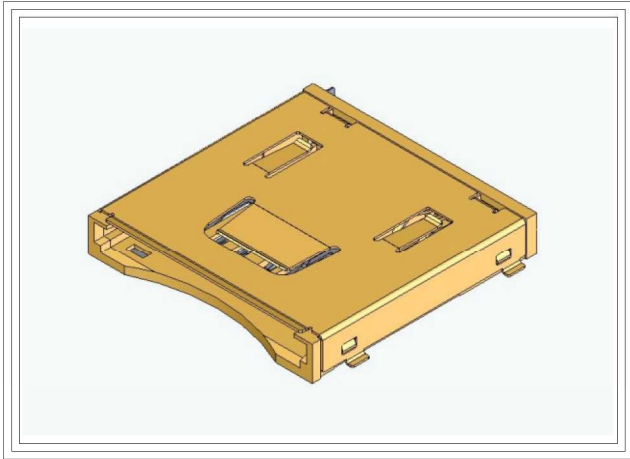
3 in 1 Card Connector

SD/ MMC/ MS

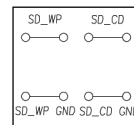
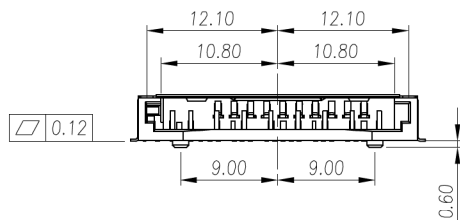
ISO14001 QC080000 ISO14001 QC080000 ISO14001 QC080000 ISO14001 QC080000 ISO14001 QC080000 ISO14001

Part No:

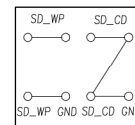
AIO3X-12105BT00



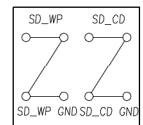
P.C.B Layout (Top View)



WITHOUT CARD



CARD INSERTED
WRITE PROTECT : LOCK



CARD INSERTED
WRITE PROTECT : UNLOCK

Specification:

- Withstanding Voltage: 500VAC Max with 1 Minute
- Insulation Resistance: 1000M Ω min
- Rated voltage: 100V AC
- Current Rating: 0.5A AC/DC max
- Contact Resistance: 100m Ω max
- Operating Temperature : -25°C~+90°C
- Insertion Cycles: 10000 Times

Application:

For SD/MMC/MS Card Use

Material

Housing: High Temperature Plastic (UL94V-0)

Contact: Copper Alloy

PIN	NAME	PIN	NAME	PIN	NAME
1	SD_CD	9	SD_CLK/SCLK	17	SD_CMD/DI
2	SD_WP	10	MS_DATA1	18	MS_SCLK
3	SD_DAT1	11	MS_SDIO/DATA0	19	MS_VCC
4	SD_DAT0	12	SD_VDD	20	SD_CD/DAT3
5	SD_WP GND	13	MS_DATA2	21	MS_VSS
6	SD_VSS2	14	SD_VSS1	22	SD_DAT2
7	MS_VSS	15	MS_INS	23	SD_CD GND
8	MS_BS	16	MS_DATA3		